

PSH550-UPS

UNINTERRUPTABLE POWER SUPPLY IN ENCLOSURE Enclosed 550 VA Power Supply, 120 Vac with Switch/Circuit Breaker



Shown Without Cover

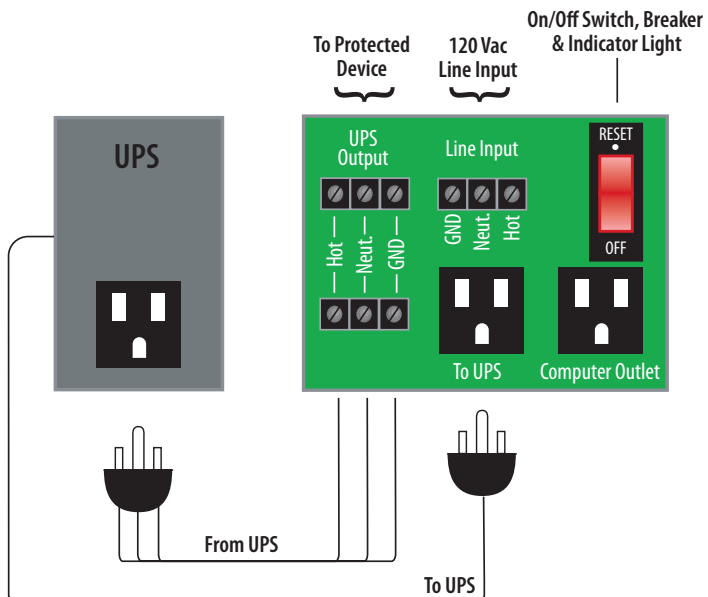


Shown With Cover



SPECIFICATIONS

- UPS:** 550VA
- Backup Time:** 3 Min. @ Full 550 VA Load
13 Min. @ 1/2 Load
- Input:** 120 Vac, 12 Amp
- Output:** 120 Vac, 4.6 Amp, 330 Watt
- Frequency:** 50/60 Hz
- Main Breaker ON/OFF:** Switch / Breaker (10 Amp)
- Approvals:** UL Listed, UL916, C-UL, CE, RoHS
- Dimensions:** 12.000" x 14.000" x 6.000"
Metal Housing with Screw Cover
- Weight:** 23.56 lbs.



Notes:

- » Track mounted interface board may be ordered separately as model PSM2RB10.

Notes