



PRE-FILLED GLYCOL BOTTLE

Temperature Sensor with Thermal Buffer

The ACI Prefilled Glycol Kit comes with a standard 4 inch probe, 10 foot or 20 foot long Plenum rated FEP/FEP (Teflon) cable installed in a Nalgene bottle with Food Grade Glycol. The Platinum, Nickel and thermistor sensors are manufactured using ACI's proven double encapsulation process and dual wall heat shrinking process to eliminate the effects of moisture on the sensors using our high quality, thermally conductive epoxy. The sensor should be installed inside the bottle such that the tip of the sensor is suspended approximately 1/2 inch above the bottom of the bottle. A Velcro strap is included for easy mounting with an optional 304 Stainless Steel mounting bracket. Optional mounting brackets and NIST Certificates are available as referenced in the product ordering grid on the back of the product data sheet.

Applications: Monitor Freezer and Refrigerator Temperatures, Pharmaceuticals, Thermal Buffer

The ACI Prefilled Glycol Kit Series is covered by ACI's Five (5) Year Limited Warranty. The warranty can be found in the front of ACI's Sensors & Transmitters catalog, as well as on ACI's website, www.workaci.com.

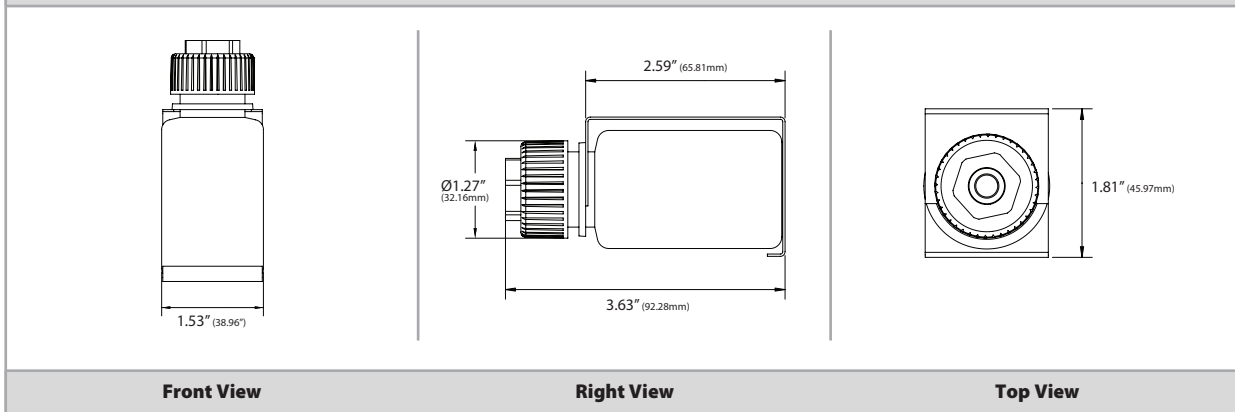
PRODUCT SPECIFICATIONS

Sensor Type Curve Type Sensing Points:	Platinum RTD PTC (Positive Temperature Coefficient) One		
Number Wires:	A/100/1K-2W-PO-4" : Two (Non-Polarity Sensitive) A/100/1K-3W-PO-4" : Three (Polarity Sensitive)		
RTD Sensor Output @ 0°C (32°F):	A/100-xW-PO-4" : 100 Ohms nominal A/1K-xW-PO-4" : 1000 Ohms nominal		
RTD Sensor Accuracy:	+/- 0.06% Class A (Tolerance Formula: +/- °C = (0.15°C + (0.002 * t)) where t is the absolute value of Temperature above or below 0°C in °C) -40°C (-40°F): +/-0.23°C (+/-0.414°F) 0°C (32°F): +/-0.15°C (+/-0.27°F) 120°C (248°F): +/-0.39°C (+/-0.71°F)		
Din Standard Temperature Coefficient:	Din EN 60751 (IEC 751) 3850 ppm / °C		
Sensor Stability:	+/- 0.03% after 1000 Hours @ 300°C (572°F)		
Self-Heating Maximum Operating Current:	100 Ohm RTD: 7 mW/°C (Still Air) 5 mA; 1K Ohm RTD: 4mW/°C (Still Air) 3 mA		
Sensor Type Curve Type Sensing Points:	Nickel RTD PTC (Positive Temperature Coefficient) One		
Number Wires:	Two (Non-Polarity Sensitive)		
Sensor Output @ 21.1°C (70°F):	1000 Ohms nominal		
Sensor Accuracy:	-40°C (-40°F): +/-1.52°C (+/-2.73°F) 0°C (32°F): +/-0.4°C (+/-0.72°F) 21.1°C (70°F): +/-0.17°C (+/-0.34°F) 54.4°C (130°F): +/-0.56°C (+/-1.00°F) 121°C (250°F): +/-1.25°C (+/-2.25°F)		
Din Standard Temp. Coefficient (0-100°C):	Din 43760 6370 ppm/°C		
Sensor Stability:	+/- 0.05% after 1000 Hours @ 150°C (302°F)		
Self-Heating Maximum Operating Current:	0.3°C/mW (Still Air) 5 mA		
Sensor Type Curve Type Sensing Points:	Thermistor NTC (Negative Temperature Coefficient) One		
Thermistor Output @ 25°C (77°F)	A/1.8K: 1.8KΩ nom.	A/CP (Type II): 10KΩ nom.	A/10KS: 10KΩ nom.
	A/3K: 3KΩ nom.	A/AN-BC: 5.238KΩ nom.	A/100KS: 100KΩ nom.
	A/AN (Type III): 10KΩ nom.	A/CSI: 10KΩ nom.	A/20K: 20KΩ nom.
Thermistor Accuracy 0-70°C (32-158°F):	+/-0.2°C (+/-0.36°F) A/1.8K: +/-0.5°C @ 25°C (77°F) & (+/-1.0°C) (+/-1.8°F)		
Stability:	Sensor Dependent; Contact ACI for more information on the sensor in question		
Power Dissipation Constant:	3 mW/°C except A/1.8K: 1 mW/°C		
Response Time (63% Step Change):	25 Seconds Nominal		
Operating Storage Temperature Range:	-40 to 120°C (-40 to 248°F) -40 to 85°C (-40 to 185°F)		
Operating Humidity Range:	10 to 95% RH, condensing		
Lead Length Conductor Size Material:	10 Feet (3.05m) or 20 Feet (6.10m)** 22 AWG (0.65mm) Tin Plated Copper		
Lead Wire Insulation Wire Rating:	FEP/FEP (Teflon) Cable CL2P/CMP Plenum Rated Cable (minimum)		
Probe Material Probe Diameter:	304 Stainless Steel 0.250" (6.35mm)		
Bottle Material Chemical Resistance:	Nalgene (HDPE) High Density Polyethylene Resistant to most acids, bases, and alcohols		
Bottle Sterility Fluid Capacity:	Lab Quality, Non-Sterile 67 ml (2 oz.)		
Nalgene Bottle Operating Temperature:	-100°C (-73.2°F) to 120°C (248°F)		
Glycol Properties Glycol Freezing Point:	Food Grade USP (Propylene Glycol); Non-Toxic -59°C (-74.2°F)		
Standard Mounting (L x W x Dia.)	7" (17.78 cm) x 1" (2.54 cm) x 2 1/8" (5.40 cm) Velcro Strap;		
Product Dimensions:	Bottle: 3.40" (86mm) (H) x 1.535" (39.00 mm) (O.D.) Probe: 4" (101.6 mm) Length		
Product Weight:	A/xx-PO-4"-10'CL2P: 0.015 lbs. (68.1g) A/xx-PO-4"-20'CL2P: 0.025 lbs. (113.4g)		
Agency Approvals:	CE, RoHS2, WEEE		





DIMENSIONAL DRAWING



CUSTOM ORDERING

Model # Example: **A/ 100 3W PO 4" 10' CL2P GF2 NIST**

		MODEL #
A. Sensor Series <i>No Selection Required</i>	A/ _____ →	A/
B. Model Series <i>Select One (1)</i>	100 = 100 Ohm Platinum RTD 1K = 1000 Ohm Platinum RTD 1K-NI = 1000 Ohm Nickel RTD 1.8K = 1.8K Ohm Thermistor 3K = 3 K Ohm Thermistor AN = 10K (Type III) Ohm Thermistor AN-BC = 10K Thermistor Ohm 11K Shunt CP = 10K (Type II) Ohm Thermistor CSI = 10K Ohm Thermistor 10KS = 10K Ohm Thermistor 20K = 20K Ohm Thermistor 100KS = 100K Ohm Thermistor	
C. Number of Wires <i>Select One (1)</i>	---- = Any Thermistor/Nickel Sensor 2W = Two Wire (100/1K RTD only) 3W = Three Wire (100/1K RTD Only)	
D. Configuration <i>No Selection Required</i>	PO = Probe Only _____ →	PO
E. Probe Length <i>No Selection Required</i>	4" = 4" Probe _____ →	4"
F. Lead Length <i>Select One (1)</i>	10' = 10 Feet (3.05m) 20' = 20 Feet* (6.10m)	
G. Lead Wire Type <i>No Selection Required</i>	CL2P = 2 Conductor Plenum Rated Cable _____ →	CL2P
H. Glycol Filled <i>No Selection Required</i>	GF2 = Glycol Filled Bottle, 2 Oz. Glycol, Velcro Strap _____ →	GF2
I. NIST <i>Select One (1)</i>	---- = No NIST Certificate NIST = NIST Certificate (Must Specify 1, 3 or 5 Points)	

Note*: All 20' Sensors are not CE compliant, but are RoHS2 compliant

ACCESSORIES ORDERING

Model # Example: **A/GLYCOL KIT -OR- 130127**

Model #	Item #	Description
A/GLYCOL BRACKET	130126	304 SS Steel Mounting Bracket for 2 oz. bottle with Stainless Screws
A/GLYCOL KIT	130127	2 oz. Glycol Bottle, 304 SS Mounting Bracket, Water Tight Fitting, Screws, No Glycol

