



FLUSH MOUNT BUTTONS

Brass, Stainless Steel & Plastic Thermistors



The ACI Thermistor Flush Mount Button Sensors Series features a stainless steel, brass or white plastic button sensor with two, 24 inch 22 AWG Etched Teflon colored lead wires to differentiate the different sensor types. The sensors in this series are manufactured using ACI's proven encapsulation process to eliminate the effects of moisture upon the sensors and to increase the response times using our high quality, thermally conductive epoxy. This sensor uses a small, low profile design, and should be used in applications where aesthetics is your primary concern. Each unit is supplied with a mounting kit such that they can be hidden underneath cabinets or shelving units, in decorative metal plates, trim, drywall or from a 1/2" piece of conduit coming down from the ceiling or roof. Note that if painting the sensors, be

sure to coat with as little paint as possible to not affect the accuracy or responsiveness of the sensor.

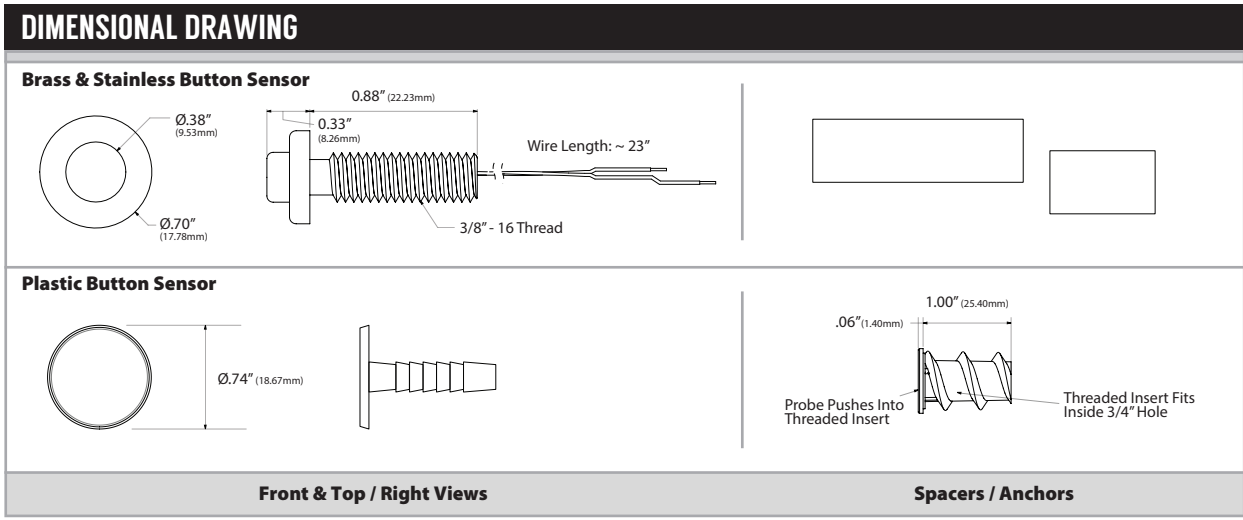
Applications: Museums, Historical Buildings, Monitoring Space Temperatures, Office Buildings, Schools, Retail, Remote Sensor

The Thermistor Flush Mount Button Sensor Series is covered by ACI's Five (5) Year Limited Warranty. The warranty can be found in the front of ACI's Sensors & Transmitters catalog, as well as on ACI's website, www.workaci.com.

PRODUCT SPECIFICATIONS

Sensor Type Sensor Curve:	Thermistor Non-Linear, NTC (Negative Temperature Coefficient)	
Number Sensing Points Number Wires:	One Two (Non-Polarity Sensitive)	
Sensor Output @ 25°C (77°F) (Lead Wire Colors):	A/1.8K: 1.8KΩ nominal (Red/Yellow)	A/CSI: 10KΩ nominal (Green/Yellow)
	A/3K: 3KΩ nominal (White/Brown)	A/10KS: 10KΩ nominal (White/Blue)
	A/AN (Type III): 10KΩ nominal (White/White)	A/10K-E1: 10KΩ nominal (Gray/Orange)
	A/AN-BC: 5.238KΩ nominal (White/Yellow)	A/20K: 20KΩ nominal (Brown/Blue)
	A/CP (Type II): 10KΩ nominal (White/Green)	A/100KS: 100KΩ nominal (Black/Yellow)
Accuracy 0-70°C (32-158°F):	+/-0.2°C (+/-0.36°F) except A/10K-E1 Series: +/-0.3°C (+/-0.54°F)	
	A/1.8K Series: +/-0.5°C @ 25°C (77°F) and (+/-1.0°C) (+/-1.8°F)	
Stability:	Sensor Dependent; Contact ACI for more information on specific sensor	
Response Time (63% Step Change):	10 Seconds nominal	
Power Dissipation Constant:	3 mW/°C except A/1.8K Series: 1 mW/°C A/10K-E1 Series: 2 mW/°C	
Button Sensor Enclosure Material:	A/XX-BBS Series: Brass A/XX-SBS Series: 304 Stainless Steel A/XX-PBS Series: ABS	
Plastic Button Flammability Rating:	UL94-HB	
Operating Storage Temperature Range:	A/XX-PBS Series: -40 to 70°C (-40 to 158°F) -40 to 85°C (-40 to 185°F)	
	A/XX-BBS & A/XX-SBS Series: -40 to 150°C (-40 to 302°F) -40 to 85°C (-40 to 185°F)	
Operating Humidity Range:	10 to 95% RH, non-condensing	
Lead Length Conductor Size:	24" (61cm) 22 AWG (0.65mm)	
Lead Wire Insulation Wire Rating:	Etched Teflon (PTFE) Colored Leads Mil Spec 16878/4 Type E)	
Conductor Material:	Silver Plated Copper	
Product Dimensions (Length x Diameter):	A/XX-PBS Series: 1.00" (25.4mm) x 0.750" (19mm)	
	A/XX-BBS and A/XX-SBS Series: 1.20" (30.48mm) x 0.700" (17.78mm)	
Product Weight:	A/XX-PBS Series: 0.04 lbs. (18.15g) A/XX-BBS & A/XX-SBS Series: 0.10 lbs. (45.36g)	
Agency Approvals:	CE, RoHS2, WEEE	





STANDARD ORDERING

Model # Example: **A/CP-PBS -OR- 122113**

Model #	Item #	Description
A/1.8K-PBS	132241	1.8K Plastic Button Sensor, 24" Leads, Anchor
A/1.8K-SBS	124140	1.8K Stainless Steel Button Sensor, 24" Leads, Spacers & Brass Nut
A/3K-PBS	129302	3K Plastic Button Sensor, 24" Leads, Anchor
A/3K-SBS	121089	3K Stainless Steel Button Sensor, 24" Leads, Spacers & Brass Nut
A/AN-PBS	124534	AN Plastic Button Sensor, 24" Leads, Anchor
A/AN-SBS	121738	AN Stainless Steel Button Sensor, 24" Leads, Spacers & Brass Nut
A/AN-BC-SBS	121334	AN-BC Stainless Steel Button Sensor, 24" Leads, 11K Shunt, Spacers & Brass Nut
A/CP-PBS	122113	CP Plastic Button Sensor, 24" Leads, Anchor
A/CP-SBS	122262	CP Stainless Steel Button Sensor, 24" Leads, Spacers & Brass Nut
A/CSI-PBS	122359	CSI Plastic Button Sensor, 24" Leads, Anchor
A/CSI-SBS	122418	CSI Stainless Steel Button Sensor, 24" Leads, Spacers & Brass Nut
A/10KS-SBS	120232	10KS Stainless Steel Button Sensor, 24" Leads, Spacers & Brass Nut
A/10K-E1-PBS	130259	10K-E1 Plastic Button Sensor, 24" Leads, Anchor
A/10K-E1-SBS	126483	10K-E1 Stainless Steel Button Sensor, 24" Leads, Spacers & Brass Nut
A/20K-PBS	120664	20K Plastic Button Sensor, 24" Leads, Anchor
A/20K-SBS	120702	20K Stainless Steel Button Sensor, 24" Leads, Spacers & Brass Nut
A/100KS-PBS	135773	100KS Plastic Button Sensor, 24" Leads, Anchor
A/100KS-SBS	125730	100KS Stainless Steel Button Sensor, 24" Leads, Spacers & Brass Nut

OPTIONAL SENSOR ORDERING

Model # Example: **A/ 3K SBS NIST**
A. B. C. D.

		MODEL #
A. Sensor Series <i>No Selection Required</i>	A/ →	A/
B. Model Series <i>Select One (1)</i>	1.8K 3K AN AN-BC* CP CSI 10KS* 10K-E1 20K 100KS	
C. Configuration <i>Select One (1)</i>	PBS = Plastic Button BBS = Brass Button SBS = Stainless Steel Button	
D. NIST <i>Select One (1)</i>	---- = No NIST Certificate NIST = NIST Certificate (Must Specify 1, 3 or 5 Points)	

Note*: AN-BC and 10KS are not available in PBS

