



DUCT WITHOUT BOX

Flange Mounted Duct Sensor, Balco RTD

The ACI Balco Duct without Box series features a 1/4" diameter stainless steel probe with etched teflon lead wires. The sensors in this series are manufactured using ACI's proven double encapsulation process to eliminate the effects of moisture upon the sensors as well as increased thermal response times using our high quality, thermally conductive epoxy. The duct style sensor is a single point sensor designed to be used in smaller duct applications and includes an insulation pad for properly sealing your duct as well as to dampen vibration. For best results, the sensor length should be determined by the actual width or diameter of your duct such that the tip of the probe is in the approximate center of the duct. On larger ducts, you may want to refer to our Rigid or Bendable Copper Averaging sensor for increased sensing points and better

temperature control. This series can be ordered with optional NIST Certificates and plenum rated cable in 6', 10' and 20' lead lengths.

Applications: Roof Top Units, Air Handlers, Monitoring Supply/Discharge/Return/Mixed Air Temperatures

ACI's Balco Duct Without Box is covered by ACI's Five (5) Year Limited Warranty. The warranty can be found in the front of ACI's Sensors & Transmitters catalog, as well as on ACI's website, www.workaci.com.

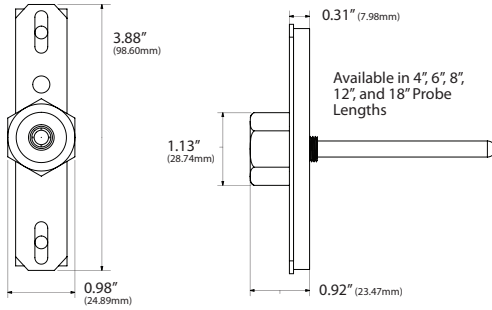
PRODUCT SPECIFICATIONS

Sensor Type Sensor Curve:	Balco RTD PTC (Positive Temperature Coefficient)
Number Sensing Points:	One
Number Wires:	Two (Non-Polarity Sensitive)
Sensor Output @ 70°F (21.1°C) Lead Wire Colors:	1000 Ohms nominal Orange/Yellow
Sensor Accuracy:	70°F (21.1°C): +/- 1%
Temperature Coefficient (0-100°C):	4618 ppm/°C
Sensor Stability:	+/- 0.05% after 1000 Hours @ 150°C (302°F)
Response Time (63% Step Change):	8 Seconds nominal
Operating Temperature Range:	-40 to 115°C (-40 to 239°F)
Storage Temperature Range:	-40 to 85°C (-40 to 185°F)
Operating Humidity Range:	10 to 95% RH, non-condensing
Probe Material Flange Material:	304 Stainless Steel Galvanized Steel
Fitting Material Flammability Rating:	Polyamide 66 (High Performance Nylon) UL94-HB
Foam Pad Material Flammability Rating:	Neoprene/EPDM/SBR Polymer UL94-HBF; FMVSS-302; MIL-R-6130C
Lead Length Conductor Size:	4", 6" & 8" Probes: 14" (35.6 cm) 12" & 18" Probes: 24" (61cm) 22 AWG (0.65mm)
Lead Wire Insulation Wire Rating:	Etched Teflon (PTFE) Colored Leads MIL-W-16878/4 (Type E)
Conductor Material:	Silver Plated Copper
Probe Diameter:	0.250" (6.35mm)
Product Dimensions Product Weight:	See table on back of Product Data sheet
Agency Approvals:	CE, RoHS2, WEEE





DIMENSIONAL DRAWING, WEIGHTS



xx = Sensor Type | yy = Insertion Length

Duct Without Box [DO] Weights

ACI Model #	4" (Probe Length)	6" (Probe Length)	8" (Insertion Length)
A/xx-DO-yy	0.10 lbs. (0.045 kg)	0.11 lbs. (0.050 kg)	0.12 lbs. (0.054 kg)
A/xx-DO-yy-6'-CL2P	0.15 lbs. (0.068 kg)	0.16 lbs. (0.073 kg)	0.17 lbs. (0.077 kg)
A/xx-DO-yy-10'-CL2P	0.20 lbs. (0.091 kg)	0.21 lbs. (0.095 kg)	0.22 lbs. (0.100 kg)
A/xx-DO-yy-20'-CL2P	0.27 lbs. (0.122 kg)	0.28 lbs. (0.127 kg)	0.29 lbs. (0.132 kg)

ACI Model #	12" (Insertion Length)	18" (Insertion Length)
A/xx-DO-yy	0.14 lbs. (0.064 kg)	0.16 lbs. (0.073 kg)
A/xx-DO-yy-6'-CL2P	0.20 lbs. (0.091 kg)	0.22 lbs. (0.100 kg)
A/xx-DO-yy-10'-CL2P	0.24 lbs. (0.108 kg)	0.27 lbs. (0.122 kg)
A/xx-DO-yy-20'-CL2P	0.31 lbs. (0.141 kg)	0.34 lbs. (0.154 kg)

Standard Views

Product Weights

STANDARD ORDERING

Model # Example: A/BALCO-DO-4" -OR- 121876

Model #	Item #	Description
A/BALCO-DO-4"	121876	Balco, Duct 4" without Box, Flange Only, 14" Leads
A/BALCO-DO-6"	133340	Balco, Duct 6" without Box, Flange Only, 14" Leads
A/BALCO-DO-8"	121877	Balco, Duct 8" without Box, Flange Only, 14" Leads
A/BALCO-DO-12"	142001	Balco, Duct 12" without Box, Flange Only, 24" Leads
A/BALCO-DO-18"	121875	Balco, Duct 18" without Box, Flange Only, 24" Leads

CUSTOM ORDERING

Model # Example: A/ BALCO DO 6" 6'CL2P NIST

MODEL #

A. Sensor Series No Selection Required	A/	A/
B. Model Series No Selection Required	BALCO	BALCO
C. Configuration No Selection Required	DO = Duct without Box (Mounting Flange Only)	DO
D. Probe Length Select One (1)	4" = 4" Probe 6" = 6" Probe 8" = 8" Probe 12" = 12" Probe 18" = 18" Probe	
E. Lead Wire Options Select One (1)	---- = Standard 14 or 24" Etched PTFE Colored Leads 6'CL2P = 6 ft (1.83m), 2 Conductor Plenum Rated Cable 10'CL2P = 10 ft (3.05m), 2 Conductor Plenum Rated Cable 20'CL2P = 20 ft (6.10m), 2 Conductor Plenum Rated Cable	
F. NIST Select One (1)	---- = No NIST Certificate NIST = NIST Certificate (Must Specify 1, 3 or 5 Points)	

