



# VPT

## Velocity Pitot Tubes (Aluminum)

The VPT Series is an Aluminum Velocity Pressure or flow (Impact) probe used to sample the air flow in HVAC duct or equipment applications. The VPT should be mounted approximately 5 to 8 duct diameters downstream from elbows, obstructions, or large change in duct area to reduce the amount of turbulence that will affect your readings.

**Applications:** Used to monitor fan operation and true air flow with varying amounts of static pressure in non-critical applications.

The VPT Series is covered by ACI's Two (2) Year Limited Warranty. The warranty can be found in the front of ACI's Sensors & Transmitters catalog, as well as on ACI's website, [www.workaci.com](http://www.workaci.com).

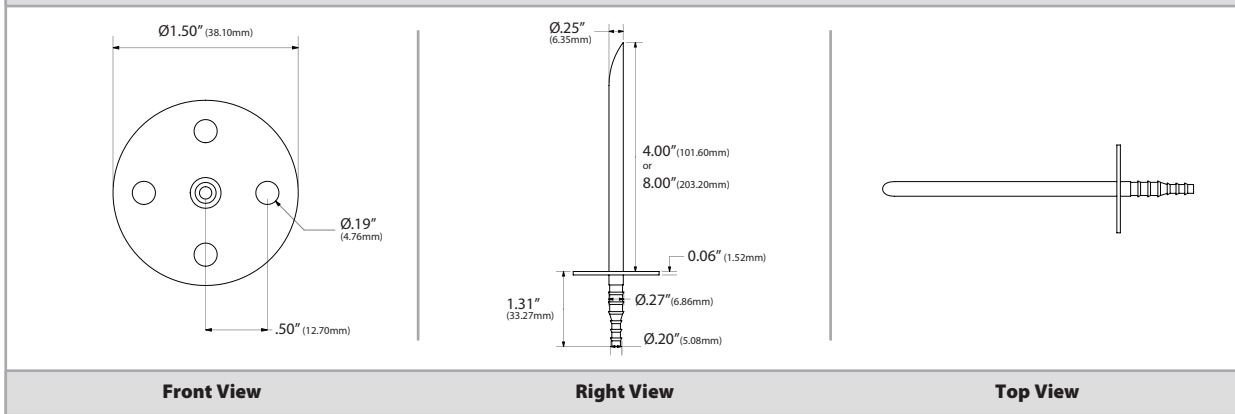
### PRODUCT SPECIFICATIONS

<b>Tubing Connection   Tubing Size:</b>	45° Barbed Type (6 Places), accepts 1/8" through 1/4" ID flexible plastic tubing
<b>Probe Insertion Length &amp; Sensing Points:</b>	<b>VPT:</b> 4" (101.6 mm)   Single Point <b>VPT-8":</b> 8" (203.2 mm)   Single Point
<b>Tube Mounting Direction:</b>	Tip opens directly into the air stream (Mounting arrow on Probe)
<b>Impact Tube Mounting Angle:</b>	Parallel to air stream (+/- 7 Degrees)
<b>Mounting Flange (Diameter):</b>	1.50" (38.1 mm)
<b>Measurement Probe Hole Size (Diameter):</b>	1/4" (6.35 mm)
<b>Mounting Holes (Diameter):</b>	3/16" (4.76 mm)
<b>Material:</b>	Aluminum
<b>Storage &amp; Operating Temperature Range:</b>	-40 to 185°F (-40°C to 85°C)
<b>Operating Humidity Range:</b>	0 to 90% RH (non-condensing)
<b>Weight:</b>	<b>VPT:</b> 0.022 lbs (10g)   <b>VPT-8":</b> 0.034 lbs (15.4g)
<b>Agency Approvals:</b>	RoHS2, WEEE, Reach





**DIMENSIONAL DRAWING**



**STANDARD ORDERING**

Model # Example: **VPT -OR- 103010**

Model #	Item #	Insertion Length	Sensing Points
VPT	103010	4" (101.6 mm)	1
VPT-8"	125008	8" (203.2 mm)	1