



Features & Options

- BAPI-Stat “Quantum”, BAPI-Stat 4 and Delta Style Enclosures
- Optional Setpoint, Override and Communication Jack
- Pressure Pickup Port available for BAPI-Stat “Quantum” and Delta Style Units without Setpoint or Override
- Limited Lifetime Warranty

Setpoint & Legend

Setpoint is available as a slidepot in various ranges with “Cool/Warm” setpoint legend.

Override

Optional discreet momentary signal that can be configured to be compatible with any controller.

Communication Jack

Available with a 3.5 mm phono plug style jack.

Pressure Pickup Port

Pressure Pickup Ports are available for the BAPI-Stat “Quantum” and Delta Style Enclosures without Setpoint or Override. See “Pressure Pickup Ports” in the Pressure Section for ordering.



BAPI-Stat “Quantum”

Delta Style Unit



BAPI-Stat 4 Units

Specifications

Environmental Operation Range:

Temperature: 32 to 122 °F (0 to 50 °C)

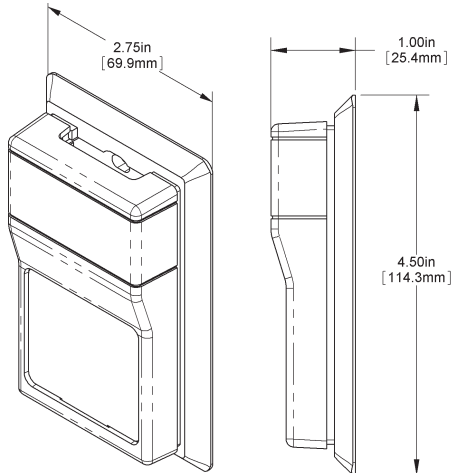
Humidity: 0 to 95%, non-condensing

Material & Rating: ABS Plastic, UL 94, V-0

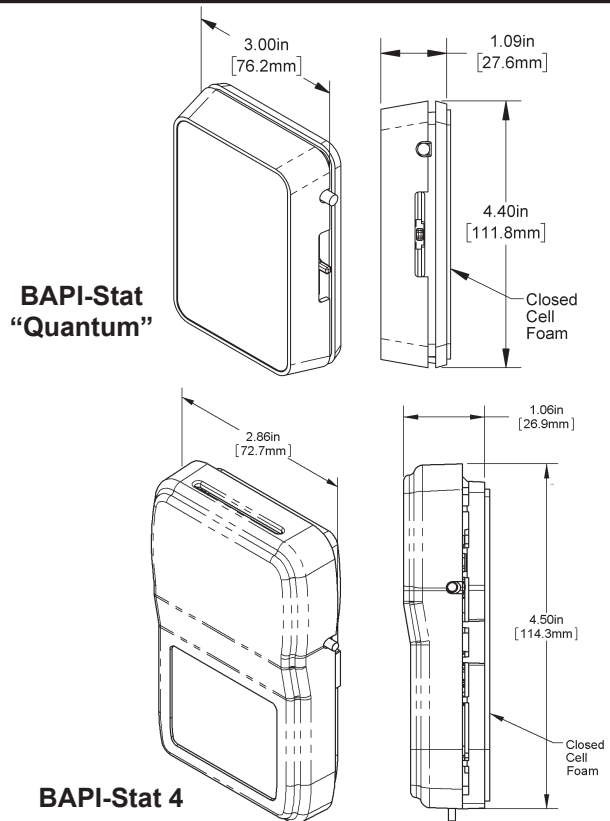
Sensing Element:

Thermistor or RTD (See Sensors Sect. for Specs.)

Agency: RoHS & CE



Delta Style



BAPI-Stat 4





Use the Option Selection Guide below to create your custom part number. Replace the number and parenthesis with the designator for each selection. Skip the designator and dashes for optional selections that are not required in your configuration.



BAPI-Stat 4 and Delta Style Option Selection Guide:

BA/ (#1) - (#2) (#3) (#4) - (#5) - (#6) - (#7) - (#8)

#1: Temperature Sensor (required)

- 1K[375] 1K Platinum RTD (375 curve)
- 1K[Ni] 1K Ω Nickel RTD
- 1K 1K Platinum RTD (385 curve)
- 1.8K 1.8K Thermistor
- 3K 3K Thermistor
- 10K-2 10K-2 Thermistor
- 10K-3 10K-3 Thermistor
- 10K-3[11K] 10K-3[11K] Thermistor
- 20K 20K Thermistor

#2: Room Sensor Style (required)

- BQ BAPI-Stat "Quantum"
- B4 BAPI-Stat 4
- R Delta Style Enclosure

#3: Setpoint Output Range (optional)

- 60 0 to 10 KΩ
- 80 0 to 20 KΩ
- 81 4.75 K to 24.75 KΩ
- 82 6.19 K to 26.19 KΩ
- 84 10 K to 30 KΩ

#4: Setpoint Legend

(Required for units with Setpoint)

- L8 Up/Down Arrows (Quantum Only)
- L6 Cool/Warm (Delta or BAPI-Stat 4)
- L0 No Legend (Delta or BAPI-Stat 4)

#5: Override (required)

- J Override as a Separate Output
- N Override in Parallel with Sensor
- P Override in Parallel w/ Setpoint
- Z No Override

#6: Communication Jack (optional)

- C35 3.5 mm Phono Style Jack

#7: Common or Differential Gnd (required)

- CG Common Ground
- DF Differential Inputs

#8: BAPI-Stat 4 Logo Plate Color

(required for BAPI-Stat 4 Units)

- WMW Warm White (matches enclosure)
- GRY Gray

Additional options are available for these units but not shown in this Selection Guide. Contact your BAPI representative for the complete list of options.

Pressure Pickup Ports are available for the BAPI-Stat "Quantum" and Delta Style Enclosures without Setpoint or Override. See "Pressure Pickup Ports" in the Pressure Section for ordering.

Example Number: BA/ (**10K-2**) - (**B4**) (**80**) (**L6**) - (**N**) - (**C35**) - (**CG**) - (**WMW**)

Actual Number (with parenthesis removed): BA/10K-2-B480L6-N-C35-WMW

Description: 10K-2 Thermistor, BAPI-Stat 4, 0 to 20K Setpoint Output Range, Cool Warm Legend, Override in Parallel with Sensor, C35 Comm. Jack, Common Ground Configuration, Warm White Logo Plate

Your Number: BA/

