

Features & Options

- BAPI-Stat 4, BAPI-Stat 2 and Delta Style Enclosures
- Optional Setpoint, Override, Comm. Jack and Test & Balance Switch
- Limited Lifetime Warranty

Setpoint & Legend

The optional setpoint is a linear slidepot adjustment that comes in various ranges, reverse or direct acting. An optional setpoint legend can be imprinted on the base of the enclosure. Common Legends include “Cool/Warm”, “55 to 85” and “5 to 30”.

Override

The optional override is a discreet momentary signal that can be configured to be compatible with any controller.

Communication Jack

Available with RJ11 (4 pin), RJ12 (6 pin), RJ22 (4 pin) or a 3.5 mm phono plug style jack.

Test and Balance Switch

A 3-position switch is available to change the sensor output as follows: “Low” is a cold reading of $\approx 40^\circ\text{F}$, “Normal” is the live sensor value, and “High” is a hot reading of $\approx 105^\circ\text{F}$.



**BAPI-Stat 4 (above)
w/ Warm White and
Gray Logo Plates**

**BAPI-Stat 2
Unit**

**Delta Style with and
without Bi-Metal Indicator**

Specifications

Environmental Operation Range:

Temperature: 32 to 122 °F (0 to 50 °C)
Humidity: 0 to 95%, non-condensing

Material & Rating: ABS Plastic, UL 94, V-0

Material Color: Warm White

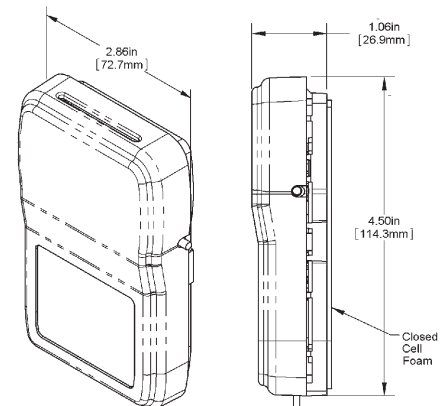
Accuracy: (High accuracy available, see ordering grid)

Standard Thermistor: $\pm 0.2\%^\circ\text{C}$ (0 to 70°C)
Standard Plat. RTD: $\pm 0.31\%^\circ\text{C}$ (@ 0°C)

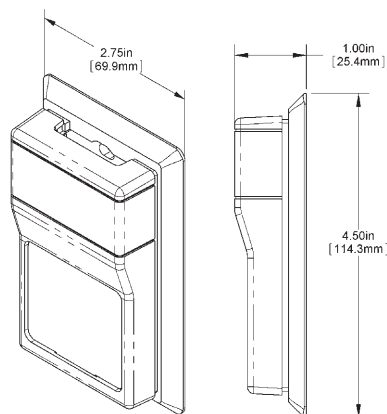
Agency: RoHS, *CE (all Thermistors < 20KΩ are CE)

For detailed specifications on the individual sensors, turn to the Sensors section.

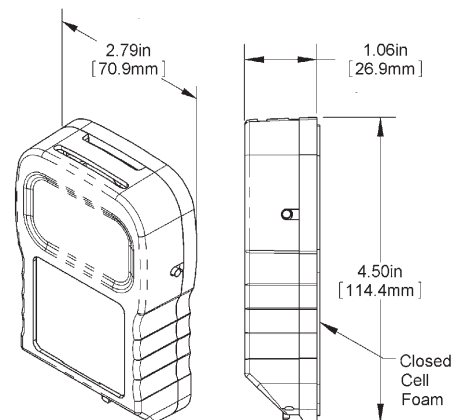
**BAPI-Stat
4 Style
Enclosure**



**Delta Style
Enclosure**



**BAPI-Stat
2 Style
Enclosure**



BAPI Room Units Without LCD

A15

Rev. 02/24/15

Temperature Sensors



Ordering Information		BAPI Room Temperature Sensors without Display					
BA/	Sensor Type (Must select one) Use the designator number (shown to the left in bold) to indicate the sensor						
#	THERMISTORS		RTDs				
	1.8K	1.8K Ω @ 25 °C	1K[375]	1K Ω Platinum @ 0 °C, 3.75 Ω/°C temp. coeff.			
	3K	3K Ω @ 25 °C	1K[NI]	1K Ω Nickel @ 21°C, 5 Ω/°C temp. coeff.			
	3.25K	3.25K Ω @ 25 °C (T30 type)	1K	1K Ω Platinum @ 0 °C, 3.85 Ω/°C temp. coeff.			
	3.3K	3.3K Ω @ 25 °C	2K	2K Ω Silicon @ 20 °C, 8 Ω/°C temp. coeff.			
	10K-2	10K Ω @ 25 °C					
	10K-3	10K Ω @ 25 °C					
	10K-3[11K]	5,238 Ω @ 25 °C	SEMICONDUCTORS				
	20K	20K Ω @ 25 °C	334	LM334 Semiconductor			
	50K	50K Ω @ 25 °C	592	AD592 Semiconductor, 273 μA @ 0 °C			
	100K	100K Ω @ 25 °C	592-10K	AD592 Semicond. w/ 10 kΩ shunt resistor, 2.73 V @ 0 °C			
<p>High Accuracy Thermistors (±0.1°C): 3K, 10K-2, 10K-3, 10K-3(11K), 20K & 100K Thermistors are available as high accuracy. To order, add [XP] after the designator #. Example: BA/10K-2[XP]-B425L1-J-CG</p> <p>High Accuracy RTDs (±0.156°C): 1K[375], 1K[NI] & 1K RTDs are available as high accuracy. To order, add [A] after the designator #. Example BA/100[A]-B425L1-J-CG</p>							
Enclosure Style (Must select one)							
	-B4	BAPI-Stat 4 Style Room Enclosure					
	-R	Delta Style Enclosure					
	Setpoint	If Setpoint is required, must select Range and Legend					
		SETPOINT OUTPUT VALUE RANGE (insert Designator #)					
		Desired Range	Designator	Desired Range	Designator		
	##	800 to 1200 Ω	25	15 k to 5 kΩ	61		
		909 to 1309 Ω	26	0 to 20 kΩ	80		
		1800 to 2200 Ω	27	4.75 k to 24.75 kΩ	81		
		0 to 1000 Ω	40	6.19 k to 26.19 kΩ	82		
		500 to 1500 Ω	41	7.87 k to 27.87 kΩ	83		
		2 k to 3 kΩ	42	10 k to 30 kΩ	84		
		0 to 10 kΩ	60	See App. Notes for other Setpoint Ranges			
		SETPOINT LEGEND (insert Designator #)					
		Legend Range	Designator	Legend Range	Designator		
		5-30 C ²	L1	68-70-72 ²	L5		
		55-85 F	L2	COOL/WARM	L6		
		60-85 F ³	L3	WARM/COOL ²	L7		
		65-80 F ³	L4	No Legend	L0		
		Override Configuration Must select one					
	-J	Override as a Separate Input (Not available with voltage setpoint)					
	-N	Override in Parallel (//) with Sensor					
	-P	Override in Parallel (//) with Setpoint (Not available with voltage setpoint)					
	-Z	No Override					
		Optional Communication Jack Skip if not required					
	-C35	3.5 mm Phono Style Jack					
	-C11	RJ11 (4 pin) Style Jack					
	-C12	RJ12 (6 pin) Style Jack					
	-C22	RJ22 (4 pin) Style Jack					
		Optional Bi-Metal Indicator (for Delta Style Enclosure only) Skip if not required					
	-BM5090	Bi-Metal Indicator: 50 to 90 °F					
	-BM1030	Bi-Metal Indicator: 10 to 30 °C					
		Optional Test & Balance Skip if not required					
	-TB	3 Position Switch - Low & High values vary, Normal is live sensor value.					
		Connection Configuration Must Select One					
	-CG	Common Ground (Required for voltage setpoint)					
	-DF	Differential Inputs					
		Logo Plate Color for BAPI-Stat 4 Only Must select for BAPI-Stat 4					
	-WMW	Warm White Logo Plate Color (standard)					
	-GRY	Gray Logo Plate Color					
		Optional Enclosure Color for BAPI-Stat 2 and Delta Style Only					
	-CPW	Copa White Color (Warm White is Standard)					
		Special Options Skip if not required					
	-LED	Separate Terminal Power					
	-FOAM	Foamback Insulator for Delta Style Enclosure (Standard on BAPI-Stat)					
EXAMPLE							
BA/	10K-2	-B4	25L1	-J	-C35	-CG	-WMW
Example Part Number: BA/10K-2-B425L1-J-C35-CG-WMW							
Your Part Number:							

¹ The 100[3W] sensor is not available with Setpoint, Override, Communication Jack or Test & Balance switch options.

² Special order - call for price and availability.

³ Special order for Delta Style Units - call for price and availability.

Call BAPI if you have questions about the above ordering/pricing grid or the configuration of the product you are ordering.