



Features & Options

- 10 Pressure Ranges and 5 Outputs -- All Field Selectable Without Power or Tools!
- Hinged Cover with Thumb Latch for Easy Access to All the Settings
- Optional Display Aids in Troubleshooting by Showing Pressure Over Entire Operational Range
- Standard, Low and High Range Models
- Three LEDs to Indicate Current Pressure Status
- Free NIST Certificate Included with Each Unit



Ranges and Outputs Can Be Set Easily Without Tools and Without Powering the Unit. Just open the hinged cover.



ZPM Pressure Sensor

Specifications

Power:

7 to 40 VDC (4 to 20 mA Output)
7 to 40 VDC or 18 to 32 VAC (0 to 5 or 1 to 5 V Output)
13 to 40 VDC or 18 to 32 VAC (0 to 10 or 2 to 10 V Output)

Power Consumption:

20 mA max, DC only at 4 to 20 mA Output
4.9 mA max DC at 0 to 5 VDC or 0 to 10 VDC Output
0.12 VA max AC at 0 to 5 VDC or 0 to 10 VDC Output

Load Resistance:

4 to 20 mA Output 850 Ω Maximum @ 24 VDC
0 to 5 V or 0 to 10 V output 6K to 10K Ω minimum

Accuracy for Standard Pressure Ranges at 72°F:

$\pm 0.25\%$ of range

Accuracy for Low Pressure Ranges at 72°F:

$\pm 0.5\%$ of range for the three lowest unidirectional and bidirectional ranges, $\pm 0.25\%$ of range all other ranges

Accuracy for High Pressure Ranges at 72°F:

$\pm 0.25\%$ on all ranges

Stability: $\pm 0.25\%$ F.S. per year

Environmental Op. Range: -4 to 140°F (-20 to 60°C)

Storage Temperature: -40 to 203°F (-40 to 95°C)

Temperature Error Low Range:

0.04% FS/°F (0.07% FS/°C)
(± 1.0 " W.C @ -4 to 140°F (-20 to 60°C))

Temperature Error Standard Range:

0.01% FS/°F (0.02% FS/°C)
(± 5.0 " W.C @ -4 to 140°F (-20 to 60°C))

Temperature Error High Range:

0.015% FS/°F (0.025% FS/°C)
(0 to 30" W.C @ -4 to 140°F (-20 to 60°C))

Overpressure:

Proof: 300.1 WC (10.83 PSI)
Burst: 512.6 WC (18.5 PSI)

Wiring:

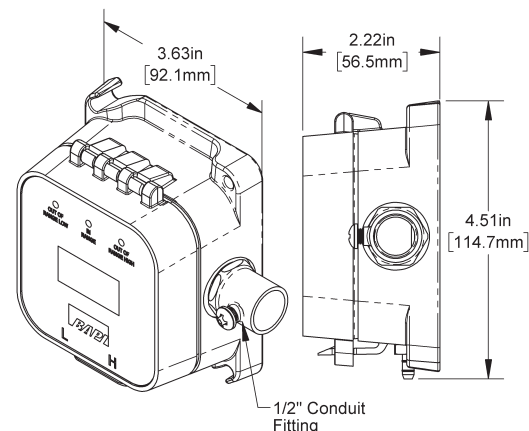
2 wires (4 to 20mA Current loop)*
3 wires (AC or DC powered, Voltage out)*

Humidity: 0 to 95% RH, non-condensing

Port Size: 1/4" tubing (1/8" to 3/16" I.D.)

Encl. Material: UV-resistant Polycarb., UL94, V-0

Enclosure Rating: IP44, NEMA 2



*BAPI recommends that you do not run wiring for the pressure transmitter in the same conduit as line voltage wiring or with wiring used to supply highly inductive loads such as motors, generators and coils.





Ordering Information

STANDARD RANGE UNITS

PART NUMBER **DESCRIPTION**

- BA/ZPM-SR-NT-D ZPM Standard Range Unit, No Tube or Probe included, with Display
- BA/ZPM-SR-ST-D ZPM Standard Range Unit, with Static Pressure Tube, with Display
- BA/ZPM-SR-AT-D ZPM Standard Range Unit, with Attached Static Tube, with Display
- BA/ZPM-SR-NT-ND ZPM Standard Range Unit, No Tube or Probe included, No Display
- BA/ZPM-SR-ST-ND..... ZPM Standard Range Unit, with Static Pressure Tube, No Display
- BA/ZPM-SR-AT-ND..... ZPM Standard Range Unit, with Attached Static Tube, No Display

LOW RANGE UNITS

- BA/ZPM-LR-NT-D ZPM Low Range Unit, No Tube or Probe included, with Display
- BA/ZPM-LR-ST-D ZPM Low Range Unit, with Static Pressure Tube, with Display
- BA/ZPM-LR-AT-D ZPM Low Range Unit, with Attached Static Tube, with Display
- BA/ZPM-LR-NT-ND..... ZPM Low Range Unit, No Tube or Probe included, No Display
- BA/ZPM-LR-ST-ND..... ZPM Low Range Unit, with Static Pressure Tube, No Display
- BA/ZPM-LR-AT-ND..... ZPM Low Range Unit, with Attached Static Tube, No Display

HIGH RANGE UNITS

- BA/ZPM-HR-NT-D ZPM High Range Unit, No Tube or Probe included, with Display
- BA/ZPM-HR-ST-D ZPM High Range Unit, with Static Pressure Tube, with Display
- BA/ZPM-HR-AT-D ZPM High Range Unit, with Attached Static Tube, with Display
- BA/ZPM-HR-NT-ND ZPM High Range Unit, No Tube or Probe included, No Display
- BA/ZPM-HR-ST-ND ZPM High Range Unit, with Static Pressure Tube, No Display
- BA/ZPM-HR-AT-ND ZPM High Range Unit, with Attached Static Tube, No Display

Pressure Range, Output Range and Inches of Water Column or Pascal Operation will be selected in the field for these units. Ranges and Outputs shown below:

Custom Ranges are also available. Contact your BAPI representative for ordering information.

Your Number: BA/ZPM-

Field Selectable Ranges and Outputs

STANDARD RANGE UNITS

Inches WC	Pascals
0 to 1.00.....	0 to 250
0 to 2.00.....	0 to 300
0 to 2.50.....	0 to 500
0 to 3.00.....	0 to 1,000
0 to 5.00.....	0 to 1,250
-1.00 to 1.00	-250 to 250
-2.00 to 2.00	-300 to 300
-2.50 to 2.50	-500 to 500
-3.00 to 3.00 ...	-1,000 to 1,000
-5.00 to 5.00 ...	-1,250 to 1,250

LOW RANGE UNITS

Inches WC	Pascals
0 to 0.10.....	0 to 30
0 to 0.25.....	0 to 50
0 to 0.50.....	0 to 100
0 to 0.75.....	0 to 175
0 to 1.00.....	0 to 250
-0.10 to 0.10	-30 to 30
-0.25 to 0.25	-50 to 50
-0.50 to 0.50	-100 to 100
-0.75 to 0.75	-175 to 175
-1.00 to 1.00	-250 to 250

HIGH RANGE UNITS

Inches WC	Pascals
0 to 5.....	0 to 1,250
0 to 10.....	0 to 2,500
0 to 15.....	0 to 4,000
0 to 25.....	0 to 6,000
0 to 30.....	0 to 7,400

OUTPUTS AVAILABLE

- 4 to 20 mA
- 0 to 5 V
- 0 to 10 V
- 2 to 10 V
- 1 to 5 V

