

Outdoor Sensor Humidity, Temperature with weather shield

For measuring the relative or absolute humidity and temperature in outdoor areas. Instead of the humidity signal, the enthalpy or the dewpoint can be selected as an output signal. NEMA 4X / IP65 rated enclosure.



### Type Overview

Type	Output signal active humidity	Output signal passive temperature
22UTH-510B	DC 0...5 V, DC 0...10 V	Pt1000
22UTH-510E	DC 0...5 V, DC 0...10 V	Ni1000 (JCI)
22UTH-510L	DC 0...5 V, DC 0...10 V	NTC10k2
22UTH-510M	DC 0...5 V, DC 0...10 V	NTC10k3
22UTH-510Q	DC 0...5 V, DC 0...10 V	NTC20k

### Technical Data

<b>Electrical Data</b>	Power supply DC	15...24 V, $\pm 10\%$ , 0.3 W
	Power supply AC	24 V, , $\pm 10\%$ , 0.5 VA
	Electrical connection	Removable spring loaded terminal block max. 2.5 mm <sup>2</sup>
	Cable entry	Cable gland with strain relief $\varnothing 6...8$ mm (1/2" NPT conduit adapter included)
<b>Functional Data</b>	Sensor Technology	polymer capacitive sensor with stainless steel wire mesh
	Output signal passive temperature	Pt1000 Ni1000 (JCI) NTC10k2 NTC10k3 NTC20k
	Output signal active note	output DC 0...5/10 V with jumper adjustable voltage output: min. 10 k $\Omega$ load
	Application	air

<b>Measuring Data</b>	Measuring values	temperature relative humidity dew point enthalpy absolute humidity	
	Measuring range humidity	0...100% r.H. non-condensing	
	Measuring range temperature	-30...120°F [-35...50°C]	
	Measuring range absolute humidity	adjustable at the transducer: 0...50 g/m <sup>3</sup> (default setting) 0...80 g/m <sup>3</sup>	
	Measuring range enthalpy	0...85 kJ/kg	
	Measuring range dew point	adjustable at the transducer: 40...140°F [0...50°C] (default setting) 0...200°F [-20...80°C]	
	Accuracy humidity	±2% between 10...90% r.H. @ 70°F [21°C]	
	Accuracy temperature passive	passive sensors depending on used type Pt.. = ±0.5°F @ 32°F [±0.3°C @ 0°C] Ni.. = ±0.7°F @ 32°F [±0.4°C @ 0°C] NTC.. = ±0.35°F @ 77°F [±0.2°C @ 25°C]	
	<b>Materials</b>	Cable gland	PA6, black
		Housing	cover: lexan, gray base: lexan, gray seal: 0467 NBR70, black UV resistant
<b>Safety Data</b>	Ambient humidity	short-term condensation permitted	
	Medium humidity	short-term condensation permitted	
	Ambient temperature	-30...120°F [-35...50°C]	
	Fluid temperature	-30...120°F [-35...50°C]	
	Protection class IEC/EN	III safety extra-low voltage (selv)	
	Protection class UL	UL Class 2 Supply	
	Certification IEC/EN	IEC/EN 60730-1	
	Certification UL	cULus acc. to UL60730-1A/-2-9/-2-13, CAN/ CSA E60730-1:02/-2-9	
	Degree of protection IEC/EN	IP65	
Quality Standard	ISO 9001		

**Safety Notes**


This device has been designed for use in stationary heating, ventilation and air-conditioning systems and must not be used outside the specified field of application. Unauthorised modifications are prohibited. The product must not be used in relation with any equipment that in case of a failure may threaten humans, animals or assets.

Ensure all power is disconnected before installing. Do not connect to live/operating equipment.

Only authorised specialists may carry out installation. All applicable legal or institutional installation regulations must be complied during installation.

The device contains electrical and electronic components and must not be disposed of as household refuse. All locally valid regulations and requirements must be observed.

Remarks

- General Remarks Concerning Sensors** When using lengthy connection wires (depending on the cross section used) the measuring result might be falsified due to a voltage drop at the common GND-wire (caused by the voltage current and the line resistance). In this case, 2 GND-wires must be wired to the sensor - one for supply voltage and one for the measuring current.
- Sensing devices with a transducer should always be operated in the middle of the measuring range to avoid deviations at the measuring end points. The ambient temperature of the transducer electronics should be kept constant. The transducers must be operated at a constant supply voltage ( $\pm 0.2$  V). When switching the supply voltage on/off, onsite power surges must be avoided.
- Build-up of Self-Heating by Electrical Dissipative Power** Temperature sensors with electronic components always have a dissipative power which affects the temperature measurement of the ambient air. The dissipation in active temperature sensors shows a linear increase with rising operating voltage. This dissipative power should be taken into account when measuring temperature. As Belimo transducers work with a variable operating voltage, only one operating voltage can be taken into consideration, for reasons of production engineering. Transducers 0...10 V / 4...20 mA have a standard setting at an operating voltage of DC 24 V. That means, that at this voltage, the expected measuring error of the output signal will be the least. For other operating voltages, the offset error will be increased by a changing power loss of the sensor electronics. If a re-calibration should become necessary later directly on the sensor, this can be done by means of a trimming potentiometer on the sensor board.
- Application Notice for Humidity Sensors** Refrain from touching the sensitive humidity sensor/element. Touching the sensitive surface will void warranty.
- For standard environmental conditions the manufacturing accuracy specified in the datasheet will be covered by the calibration warranty for two years. When exposed to harsh environmental conditions such as high ambient temperature and/or high levels of humidity, or presence of aggressive gases (i.e. chlorine, ozone, ammonia) the sensor element may be affected and readings may be outside specified accuracy. Replacement of deteriorated humidity sensors due to harsh environmental conditions are not subject of the general warranty.

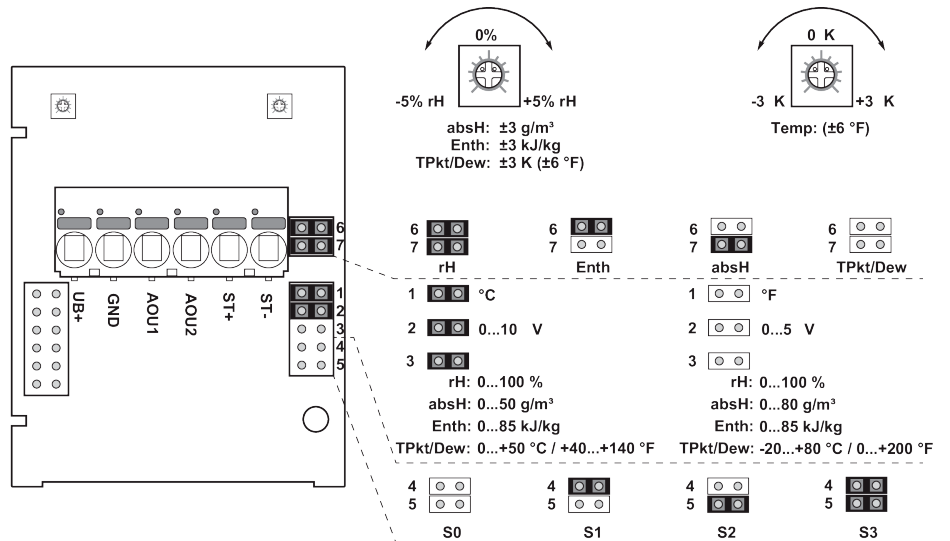
Scope of delivery

Scope of delivery	Description	Type
	Mounting plate L housing	A-22D-A10
	Rain cover, for 22UTH-..	A-22U-A01
	Dowel	
	Screws	
	1/2" NPT conduit adapter	

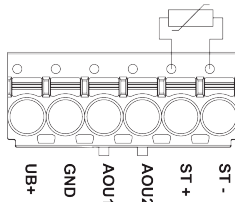
Accessories

Optional accessories	Description	Type
	Replacement filter, wire mesh, Stainless steel	A-22D-A06

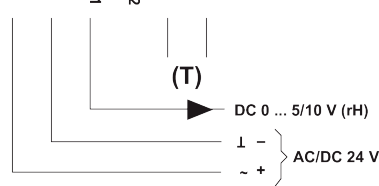
Wiring Diagram



0...5/10 V + ST



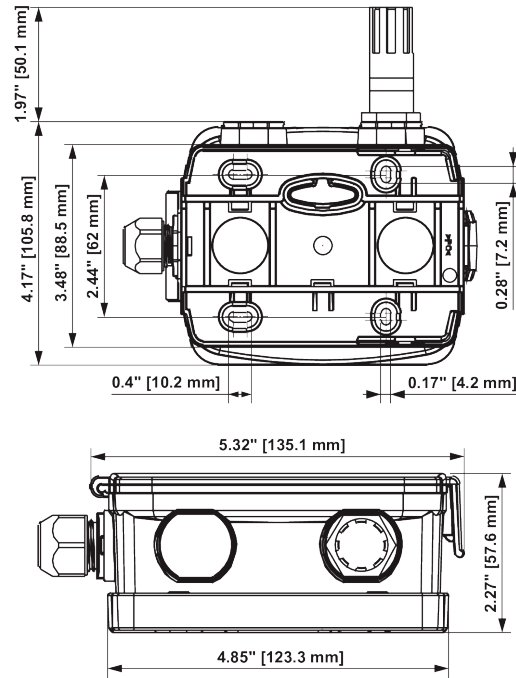
rH    Relative humidity  
absH    Absolute humidity  
Enth    Enthalpy  
TPkt/Dew    Dew point  
(Measurement value available on Output AO1)



Connectors ST+ / ST- are only used for sensor types which additionally have a passive resistance sensor element for temperature measurement.  
Correct temperature values are only available, when the humidity output AO1 and both inputs UB + are connected.  
The adjustment of the measuring ranges is made by changing the bonding jumpers.  
The output value in the new measuring range is available after 2 seconds.

## Dimensions

## Dimensions



Type	Weight
22UTH-510B	0.62 lb [0.28 kg]
22UTH-510E	0.62 lb [0.28 kg]
22UTH-510L	0.62 lb [0.28 kg]
22UTH-510M	0.62 lb [0.28 kg]
22UTH-510Q	0.62 lb [0.28 kg]