



5-year warranty



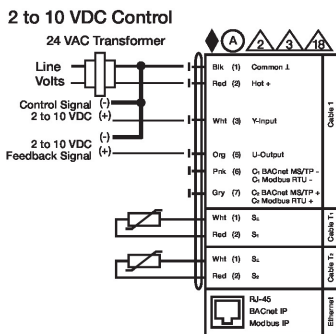
Technical data

Electrical data	Nominal voltage	AC/DC 24 V	
	Nominal voltage frequency	50/60 Hz	
	Power consumption in operation	5 W (0.5" to 2") 7 W (2.5" to 6")	
	Transformer sizing	8 VA (0.5...2"), 11 VA (2.5...6") (class 2 power source)	
	Electrical Connection	18 GA plenum cable and RJ45 socket (ethernet)	
	Overload Protection	electronic throughout 0...90° rotation	
Functional data	Communicative control	BACnet IP BACnet MS/TP Modbus RTU Modbus TCP MP-Bus	
	Operating range Y	2...10 V	
	Operating range Y note	4...20 mA w/ ZG-R01 (500 Ω, 1/4 W resistor)	
	Input Impedance	100 kΩ (0.1 mA), 500 Ω	
	Options positioning signal	VDC variable	
	Position feedback U	2...10 V	
	Position feedback U variable	VDC variable	
	Direction of motion motor	reversible with web view	
	Manual override	external push button	
	Angle of rotation	90°	
	Running Time (Motor)	90 s	
	Noise level, motor	45 dB(A)	
	Position indication	Mechanically, pluggable	
	Safety data	Degree of protection IEC/EN	IP54
		Degree of protection NEMA/UL	NEMA 1 UL Enclosure Type 1
Agency Listing		cULus acc. to UL60730-1A/-2-14, CAN/CSA E60730-1:02, CE acc. to 2014/30/EU and 2014/35/EU; Listed to UL 2043 - suitable for use in air plenums per Section 300.22(c) of the NEC and Section 602.2 of the IMC	
Quality Standard		ISO 9001	
Ambient temperature		-22...122°F [-30...50°C] (ultrasonic sensor), 14...122°F [-10...50°C] (electro-magnetic sensor)	
Storage temperature		-40...176°F [-40...80°C]	
Ambient humidity		max. 95% r.H., non-condensing	
Servicing		maintenance-free	
Weight		Weight	1.76 lb [1.2 kg]
		Materials	Housing material

Electrical installation

✂ INSTALLATION NOTES

- (A)** Actuators with appliance cables are numbered.
- (2)** Actuators may be connected in parallel. Power consumption and input impedance must be observed.
- (3)** Actuators may also be powered by DC 24 V.
- (18)** Actuators with plenum cable do not have numbers; use color codes instead.
- ◆** Meets cULus requirements without the need of an electrical ground connection.
- (!)** **Warning! Live electrical components!**
During installation, testing, servicing and troubleshooting of this product, it may be necessary to work with live electrical components. Have a qualified licensed electrician or other individual who has been properly trained in handling live electrical components perform these tasks. Failure to follow all electrical safety precautions when exposed to live electrical components could result in death or serious injury.



2...10 V, BACnet MSTP/IP, Modbus RTU/IP