

B2...VS Series, 2-way, Ball Valve Bronze Body, Stainless Steel Ball and Stem



- Live-load packing set
- Stainless steel ball & stem
- Blow-out proof stem design

Application

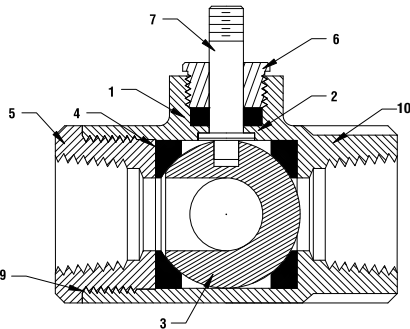
This valve is typically used in air handling units on heating or cooling coils, and fan coil unit heating or cooling coils. Some other common applications include Unit Ventilators, VAV Box re-heat coils and bypass loops. This valve is suitable for use in a hydronic system with variable flow.

This valve is designed with MFT functionality which facilitates the use of various control input.

- Up to 35 psi steam
- ½" - 600 PSIG WOG, Cold Non-Shock.
- Federal Specification: WW-V-35C, Type II
Composition: BZ
Style: 3

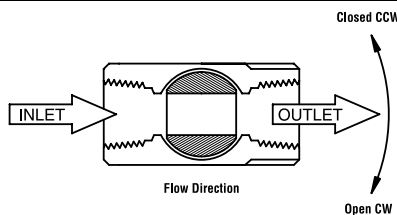
Technical Data	
Media	chilled or hot water, glycol, 35# steam
Flow characteristic	modified equal percentage
Action	90° rotation valve open CW, valve closed CCW
Sizes	½", ¾", 1", 1¼", 1½", 2"
Type of end fitting	SAE NPT (female connections)
Materials:	
1 Stem packing	reinforced PTFE
2 Stem bearing	reinforced PTFE
3 Ball	316 stainless steel
4 Seat (x2)	reinforced PTFE w/ Durafill
5 Retainer	B16 (¾" - 1") stainless steel B584 (1¼" - 2") stainless steel
6 Gland	B16 brass
7 Stem	316 stainless steel
8 Jam nut	stainless steel
9 Body seal	PTFE (1-1/4" to 2")
10 Body	B584-C84400 bronze

C _v	Valve Nominal Size		Type	Suitable Actuators	
	Inches	DN [mm]	2-way NPT	Spring Return	Non-Spring Return
1	½"	15	B2050VS-01	LF Series	LM Series
2	½"	15	B2050VS-02		
4	½"	15	B2050VS-04		
15	½"	15	B2050VS-15	NF	NM
30	¾"	20	B219VS		
51	¾"	20	B220VS	AF Series	AM Series
43	1"	25	B224VS		
68	1"	25	B225VS		
48	1¼"	32	B232VS		
84	1½"	40	B239VS		
177	1½"	40	B240VS		
108	2"	50	B249VS	GM Series	SY Series

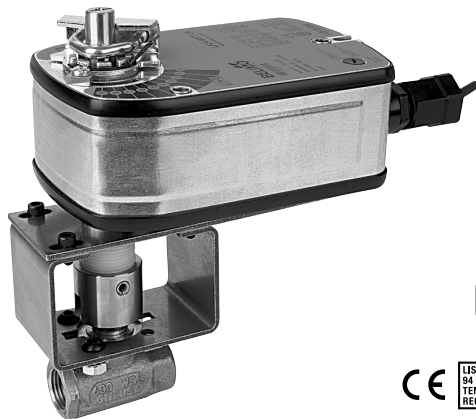


Pressure rating	600 psig WOG
Media temp. range	-22°F to +280°F (-30°C to +138°C)
Close-off pressure	600 psig @ 100°F
Maximum differential pressure (ΔP)	<600 psig

Flow Patterns



Tech.Doc - 11/14 - Subject to change. © Belimo Aircontrols (USA), Inc.



MFT

2
YEAR
WARRANTY

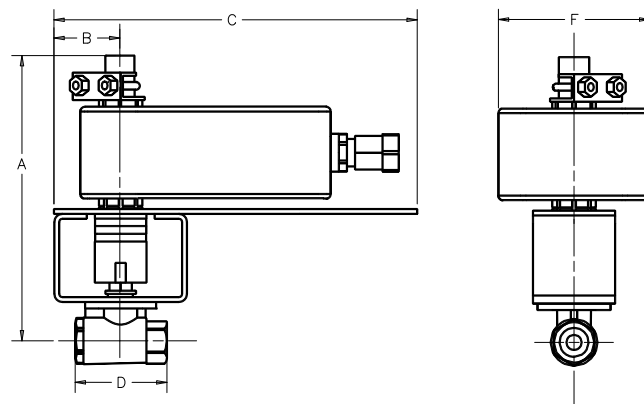


Models

LF24-MFT US
LF24-MFT-S US w/built-in Aux. Switch

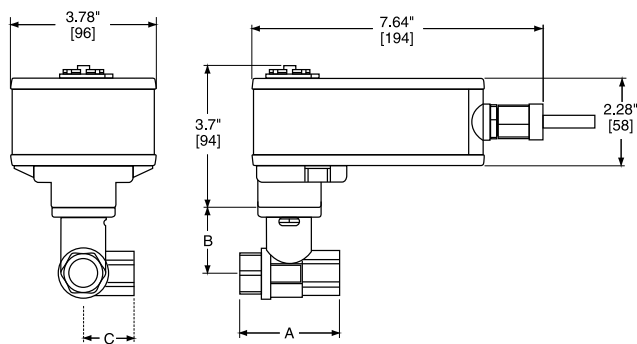
Technical Data	
Control	MFT
Control signal	2 to 10 VDC (4-20mA with 500 Ω resistor)
Power consumption	running 2.5 W holding 1 W
Transformer sizing	5 VA (class 2 power source)
Electrical connection	½" conduit connector
(-S models have 2 cables)	3 ft. [1m], 18 GA appliance cable
Overload protection	electronic throughout 0° to 95° rotation
Input impedance	100 kΩ for 2 to 10 VDC (0.1 mA) 500 Ω for 4 to 20mA 750 Ω for PWM 500 Ω for on/off and floating point
Feedback	2 to 10 VDC, 0.5 mA max
Angle of rotation	95°
Direction of rotation	spring reversible with CW/CCW mounting motor reversible with built-in switch
Position indication	visual indicator
Running time	<40 to 75 sec. (on/off) 150 sec. independent of load (proportional)
spring	<25 sec. @ -4°F to +122°F [-20°C to +50°C] <60 sec. @ -22°F [-30°C]
Ambient temperature	-22° F to +122° F [-30° C to +50° C]
Housing	NEMA 2
Agency listings	UL 873, CSA C22.2 No. 24 certified, CE
Noise level	max. 62 dB(A)
Quality standard	ISO 9001
LF24-MFT-S US	
Auxiliary switch	1 x SPDT, 6A (1.5A) @ 250 VAC, UL Listed, adjustable 0° to 95° (double insulated)

Dimensions with 2-Way Valve



Valve Body	COP	Valve Nominal Size		Dimensions (Inches)				
		Inches	DN [mm]	A	B	C	D	F
B2050VS-01	100	½	15	6.75	2.00	6.75	2.25	4.00
B2050VS-02	100	½	15	6.75	2.00	6.75	2.25	4.00
B2050VS-04	100	½	15	6.75	2.00	6.75	2.25	4.00
B2050VS-15	100	½	15	6.70	2.00	8.00	2.25	6.25

Dimensions with 3-Way Valve



Valve Body	COP	Valve Nominal Size		Dimensions (mm)		
		Inches	DN [mm]	A	B	C
B315L	200	½	15	2.63" [67]	1.73" [44]	1.42" [36]
B320L	200	¾	20	3.01" [78]	1.81" [46]	1.63" [42]
B325L	200	1	25	3.42" [87]	1.81" [46]	1.77" [45]

Wiring Diagrams

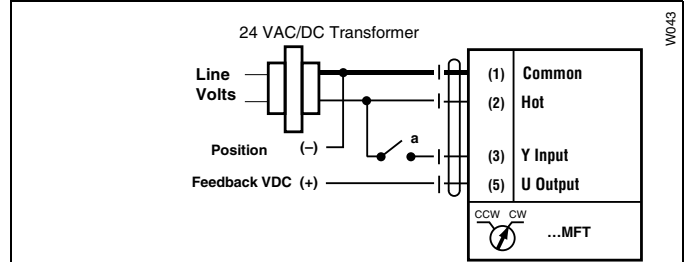
✂ INSTALLATION NOTES

- 2 **CAUTION Equipment damage!**
Actuators may be connected in parallel if not mechanically mounted to the same shaft. Power consumption and input impedance must be observed.
- 3 Actuators may also be powered by 24 VDC.
- 4 IN4004 or IN4007 diode (IN4007 supplied, Belimo part number 40155).
- 5 Triac A and B can also be contact closures.
- 6 Control signal may be pulsed from either the Hot (Source) or Common (Sink) 24 VAC line.
- 7 Position feedback cannot be used with Triac sink controller. The actuators internal common reference is not compatible.

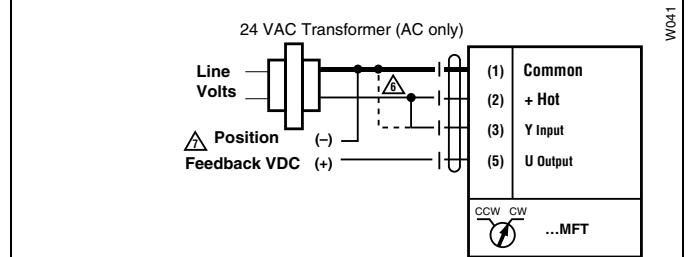
📄 APPLICATION NOTES

- ◆ The ZG-R01 500 Ω resistor converts the 4 to 20 mA control signal to 2 to 10 VDC, up to 2 actuators may be connected in parallel.

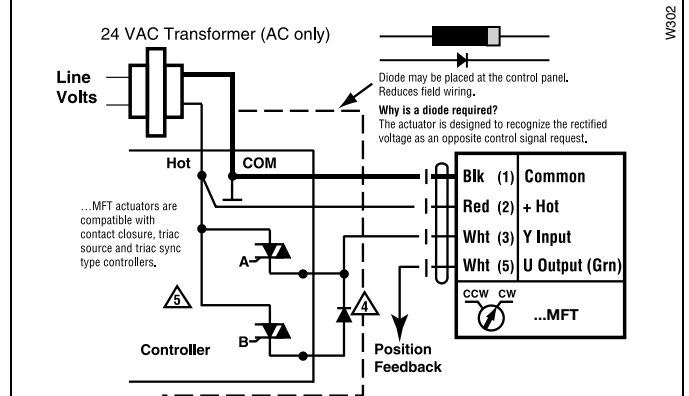
⚠ WARNING Live Electrical Components!
During installation, testing, servicing and troubleshooting of this product, it may be necessary to work with live electrical components. Have a qualified licensed electrician or other individual who has been properly trained in handling live electrical components perform these tasks. Failure to follow all electrical safety precautions when exposed to live electrical components could result in death or serious injury.



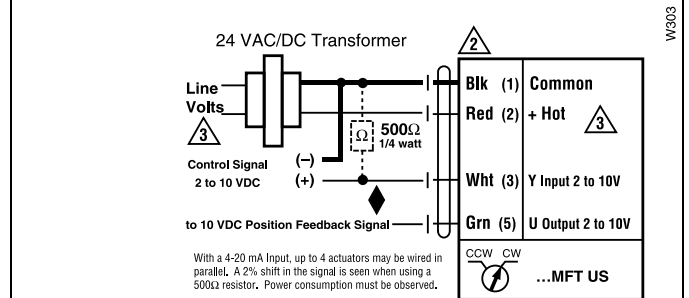
On/Off control



PWM, triac source and sink



Floating Point control



Proportional 2 to 10 or 4 to 20 mA control signal