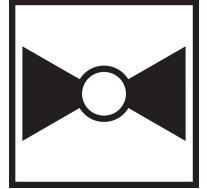




2-year warranty



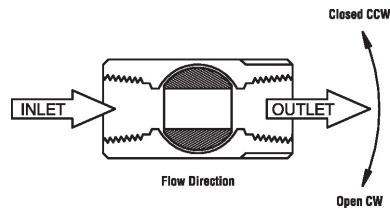
Technical data

Functional data	Valve Size	1.5" [40]
	Fluid	chilled or hot water, up to 60% glycol, steam
	Fluid Temp Range (water)	-22...380°F [-30...193°C]
	Fluid Temp Range (steam)	-22...380°F [-30...193°C]
	Body Pressure Rating	ANSI Class 300
	Close-off pressure Δps	250 psi
	Flow characteristic	equal percentage
	Rangeability Sv	300:1
	Maximum differential pressure (water)	150 psi
	Max Differential Pressure (Steam)	100 psi
	Close-Off Pressure (Steam)	150 psi
	Flow Pattern	2-way
	Leakage rate	ANSI Class IV
	Controllable flow range	75°
	Cv	55
Maximum Inlet Pressure (Steam)	150 psi	
Materials	Valve body	WCC grade carbon steel
	Body finish	matt black body finish
	Stem	stainless steel
	Stem seal	PTFE V-ring
	Seat	PTFE
	Pipe connection	NPT female ends
	Ball	stainless steel
Suitable actuators	Non-Spring	SY1 AMB(X) PRB(X)
	Spring	NF
	Electronic fail-safe	PKRB(X)

Product features

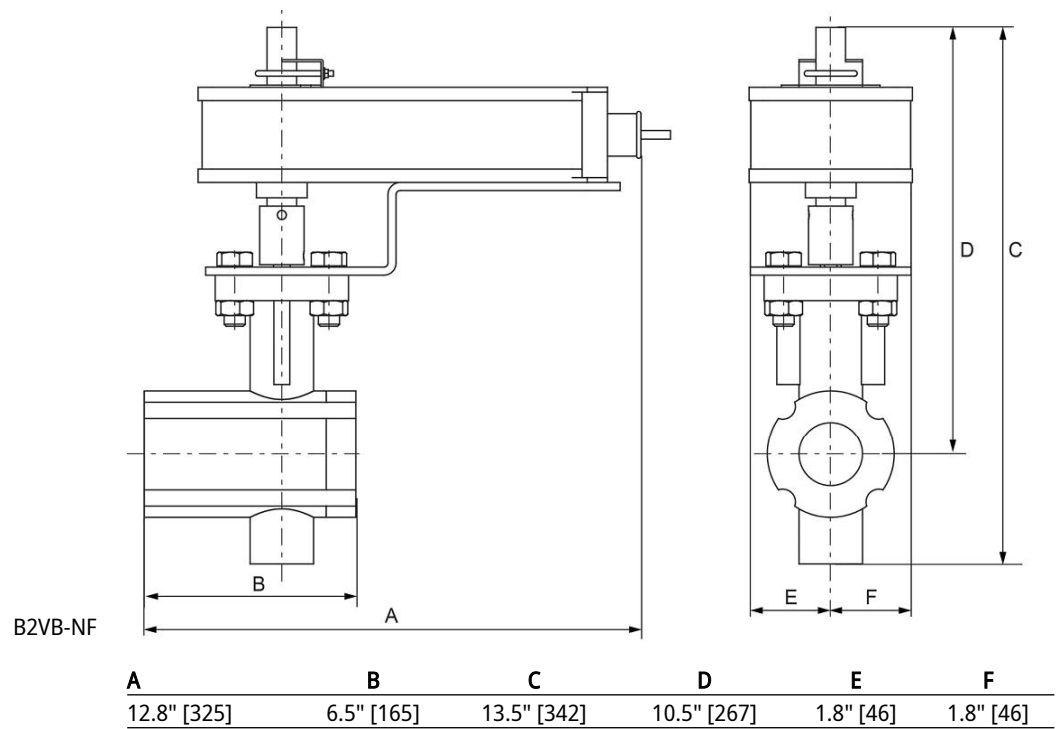
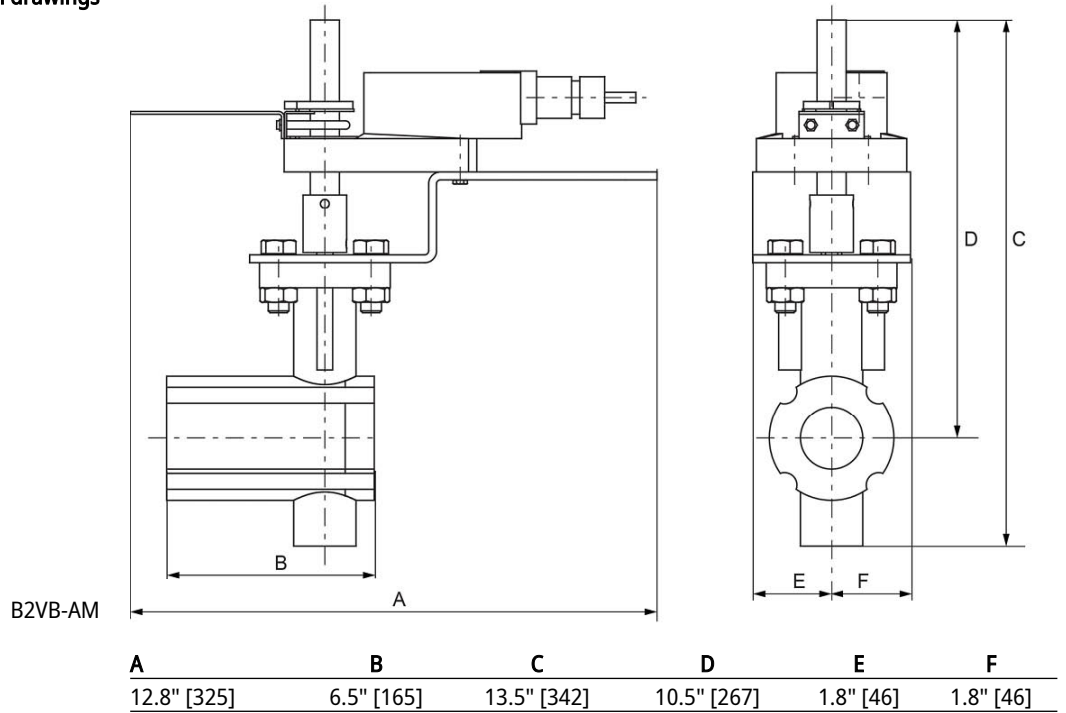
Product features	Fast quarter turn open or closed operation, stainless-steel ball and stem, positive isolation, two-piece body construction
Application	Water-side control of air handling apparatus in ventilation and air-conditioning system. Water/Steam control in heating system. 300:1 rangeability. The dimensions and drilling of end flanges conform to the American cast iron flange standard, Class 150 (ANSI B16.1).

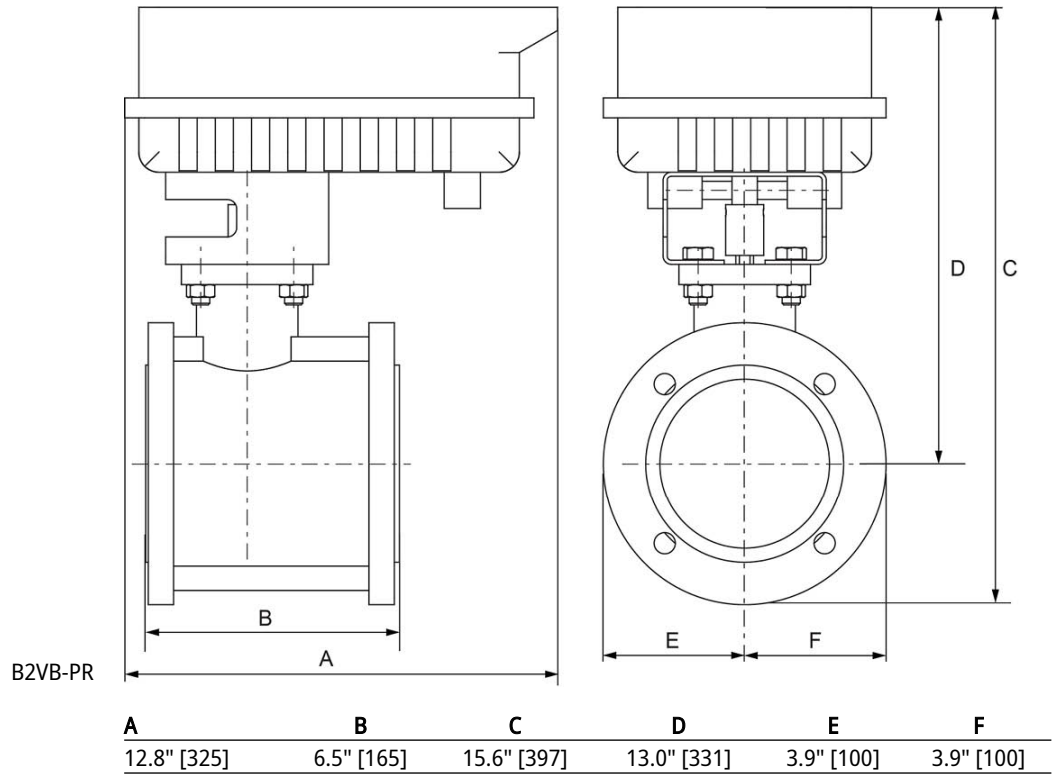
Flow/Mounting details



Dimensions

Dimensional drawings







5-year warranty



Technical data

Electrical data	Nominal voltage	AC 24...240 V / DC 24...125 V
	Nominal voltage frequency	50/60 Hz
	Power consumption in operation	52 W
	Power consumption in rest position	9 W
	Transformer sizing	55 VA @ AC/DC 24 V (class 2 power source), 43 VA @ AC/DC 120 V, 68 VA @ AC 230 V
	Auxiliary switch	2 x SPDT, 3 A resistive (0.5 A inductive) @ AC 250 V, 1 x 10° / 1 x 0...90° (default setting 85°)
	Switching capacity auxiliary switch	3 A resistive (0.5 A inductive) @ AC 250 V
	Electrical Connection	Terminal blocks, (PE) Ground-Screw
	Overload Protection	electronic throughout 0...90° rotation
Functional data	Communicative control	BACnet MS/TP Modbus RTU MP-Bus
	Options positioning signal	variable (VDC, on/off, floating point)
	Position feedback U variable	VDC variable
	Setting fail-safe position	0...100%, adjustable with Belimo Assistant App (default setting 0%)
	Bridging time	programmable 0...10 s (2 s default) delay before fail-safe activates
	Pre-charging time	5...20 s
	Direction of motion motor	reversible with app
	Direction of motion fail-safe	reversible with app
	Manual override	7 mm hex crank, supplied
	Angle of rotation	90°
	Running Time (Motor)	default 35 s, variable 30...120 s
	Running time motor variable	30...120 s
	Running time fail-safe	<30 s
	Noise level, motor	68 dB(A)
	Noise level, fail-safe	62 dB(A)
	Position indication	top mounted domed indicator
	Passive sensor inputs	2x (Pt1000, Ni1000, NTC10k2)
Safety data	Degree of protection IEC/EN	IP66/67
	Degree of protection NEMA/UL	NEMA 4X
	Enclosure	UL Enclosure Type 4X
	Agency Listing	cULus acc. to UL60730-1A/-2-14, CAN/CSA E60730-1:02, CE acc. to 2014/30/EU and 2014/35/EU
	Quality Standard	ISO 9001
	Ambient temperature	-22...122°F [-30...50°C]

Safety data	Ambient humidity	Max. 100% RH
	Servicing	maintenance-free
Weight	Weight	14 lb [6.4 kg]




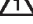
Product features

- Default/Configuration** Default parameters for DC 2...10 V applications of the PKR..-MFT actuator are assigned during manufacturing. If required, different parameters of the actuator can be ordered. These parameters are variable and can be modified by factory pre-set, the handheld ZTH US or using the Belimo App on a smart phone with Near Field Communications (NFC) programming.
- Application** PR Series valve actuators are designed with an integrated linkage and visual position indicators. For outdoor applications, the installed valve must be mounted with the actuator at or above horizontal. For indoor applications the actuator can be in any location including directly under the valve.
- Operation** The PR series actuator provides 90° of rotation and a visual indicator shows the position of the valve. The PR Series actuator uses a low power consumption brushless DC motor and is electronically protected against overload. A universal power supply is furnished to connect supply voltage in the range of AC 24...240 V and DC 24...125 V. Included is a smart heater with thermostat to eliminate condensation. Two auxiliary switches are provided; one set at 10° open and the other is field adjustable. Running time is field adjustable from 30...120 seconds by using the Near Field Communication (NFC) app and a smart phone.
 †Use 60°C/75°C copper wire size range 12...28 AWG, stranded or solid. Use flexible metal conduit. Push the listed conduit fitting device over the actuator's cable to butt against the enclosure. Screw in conduit connector. Jacket the actuators input wiring with listed flexible conduit. Properly terminate the conduit in a suitable junction box. Rated impulse Voltage 4000 V. Type of action 1. Control pollution degree 3.
- Factory settings** Default parameters for DC 2...10 V applications of the PKR..-MFT actuator are assigned during manufacturing. If required, different parameters of the actuator can be ordered. These parameters are variable and can be modified by factory pre-set, the handheld ZTH US or using the Belimo App on a smart phone with Near Field Communications (NFC) programming.

Accessories

Gateways	Description	Type
	Gateway MP to BACnet MS/TP	UK24BAC
	Gateway MP to LonWorks	UK24LON
	Gateway MP to Modbus RTU	UK24MOD
Electrical accessories	Description	Type
	Service Tool, with ZIP-USB function, for programmable and communicative Belimo actuators, VAV controller and HVAC performance devices	ZTH US
Mechanical accessories	Description	Type
	Hand crank for PR, PKR, PM	ZG-HND PR
Service tools	Description	Type
	Connection cable 10 ft [3 m], A: RJ11 6/4 ZTH EU, B: 3-pin Weidmüller and supply connection	ZK4-GEN
	Service Tool, with ZIP-USB function, for programmable and communicative Belimo actuators, VAV controller and HVAC performance devices	ZTH US

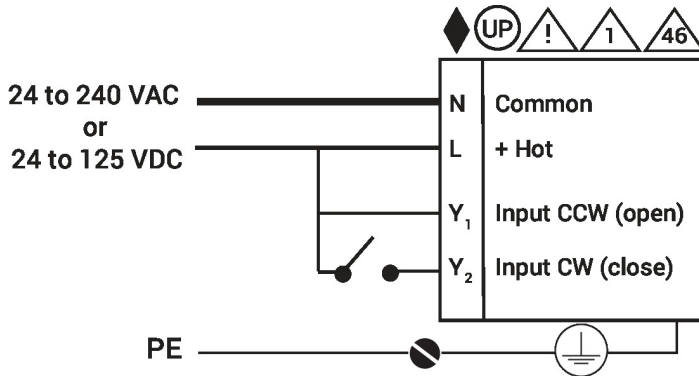
Electrical installation

-  Meets cULus requirements without the need of an electrical ground connection.
-  Universal Power Supply (UP) models can be supplied with 24 V up to 240 V.
-  Disconnect power.
-  Provide overload protection and disconnect as required.

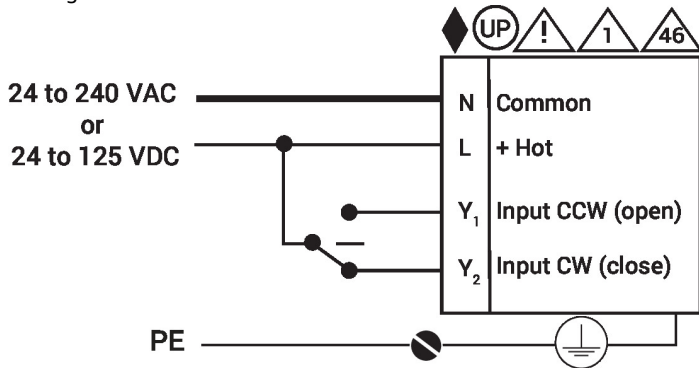
- ⚠️ 4 Two built-in auxiliary switches (2x SPDT), for end position indication, interlock control, fan startup, etc.
- ⚠️ 5 Only connect common to negative (-) leg of control circuits.
- ⚠️ 46 Actuators may be controlled in parallel. Current draw and input impedance must be observed.
- ⚠️ 1 **Warning! Live electrical components!**
During installation, testing, servicing and troubleshooting of this product, it may be necessary to work with live electrical components. Have a qualified licensed electrician or other individual who has been properly trained in handling live electrical components perform these tasks. Failure to follow all electrical safety precautions when exposed to live electrical components could result in death or serious injury.

Wiring diagrams

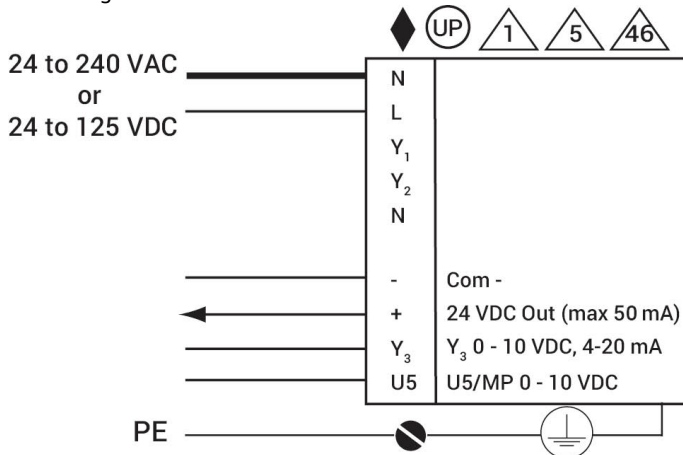
On/Off

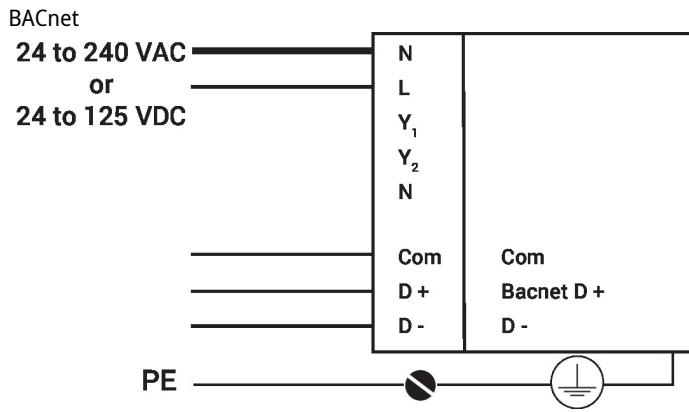


Floating Point



Modulating





Dimensions

Dimensional drawings

