

# B6400S-186, 2-Way, Characterized Control Valve

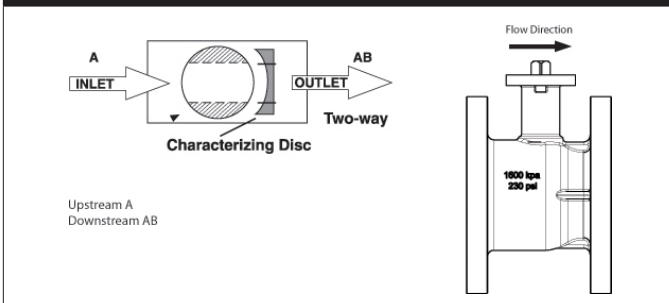
## Stainless Steel Ball and Stem



### Technical Data

Service	chilled, hot water, up to 60% glycol
Flow Characteristic	equal percentage
Controllable Flow Range	75°
Size [mm]	4" [100]
End Fitting	pattern to mate with ansi 125 flange
Body	cast iron - GG25
Ball	stainless steel
Stem	stainless steel
Stem Packing	EPDM (lubricated)
Seat	Teflon® PTFE
Seat O-ring	EPDM (lubricated)
Characterized Disc	stainless steel
Body Pressure Rating [psi]	ANSI 125, standard class B
ANSI Class	ANSI 125, standard class B
Number of Bolt Holes	8
Media Temperature Range (Water)	0°F to 250°F [-18°C to 120°C]
Max Differential Pressure (Water)	50 psi (345 kPa)
Close-Off Pressure	100 psi
Cv	186
Weight	50 lb [22.7 kg]
Leakage	0% for A to AB
Servicing	maintenance free

### Flow Pattern



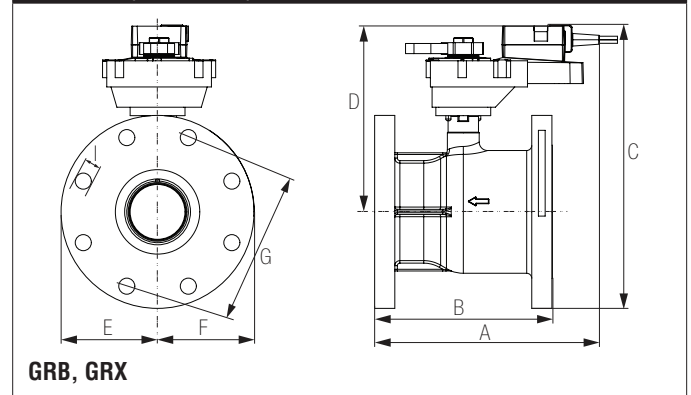
### Application

This valve is typically used in air handling units on heating or cooling coils, and fan coil unit heating or cooling coils. Some other common applications include Unit Ventilators, VAV box re-heat coils and bypass loops. This valve is suitable for use in a hydronic system with variable or constant flow.

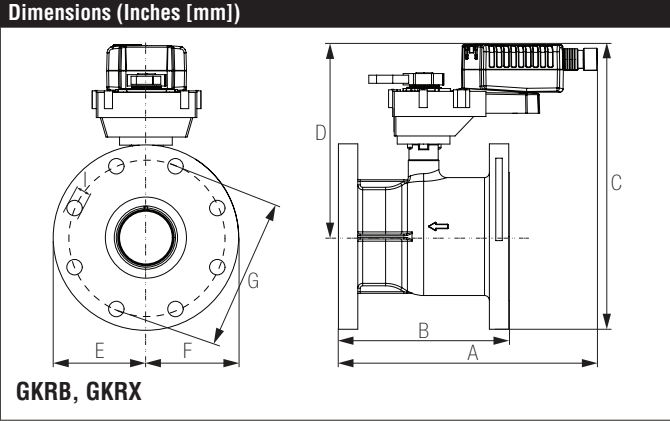
### Suitable Actuators

	Non-Spring	Electronic Fail-Safe
B6400S-186	GRB(X)	GKRB(X)

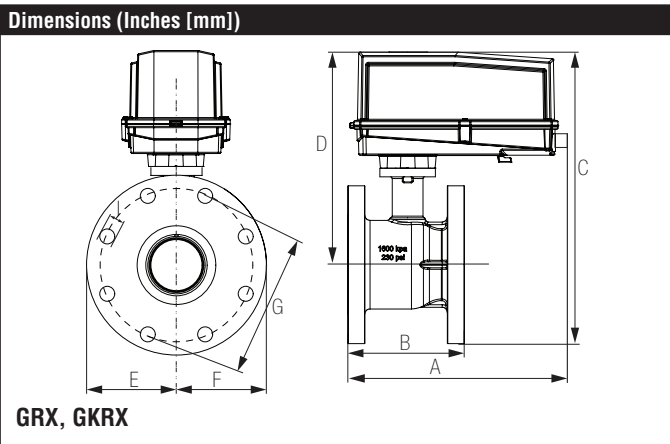
### Dimensions (Inches [mm])



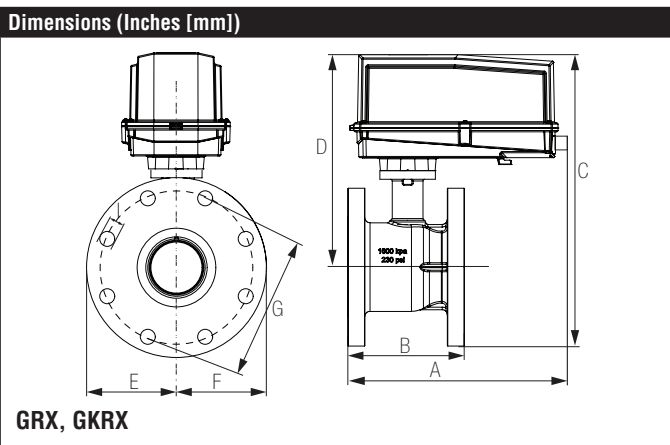
A	B	C	D	E	F	G	I
11.3"	8.3"	12.8"	8.7"	4.48"	7.5"	0.75"	
[287]	[210]	[325]	[221]	[114]	[191]	[19]	



A	B	C	D	E	F	G	I
11.3"	8.3"	12.9"	9.7"	4.48" [114]	7.5"	0.75"	
[287]	[210]	[328]	[246]		[191]	[19]	



A	B	C	D	E	F	G	I
15"	8.3"	16.35"	12.64"	4.48" [114]	7.5"	0.75"	
[381]	[210]	[415]	[321]		[191]	[19]	



A	B	C	D	E	F	G	I
15"	8.3"	16.35"	12.64"	4.48" [114]	7.5"	0.75"	
[381]	[210]	[415]	[321]		[191]	[19]	