



5-year warranty


Type Overview

Type	Measured values	Number of relays	Output signal active gas	Communication
C-22G-5A	-	1	2x AO	CAN bus, BACnet MS/TP
C-22G-5B	-	2	-	CAN bus, BACnet MS/TP
C-22G-5C	-	-	-	CAN bus
C-22G-50	-	4	-	CAN bus

Technical data

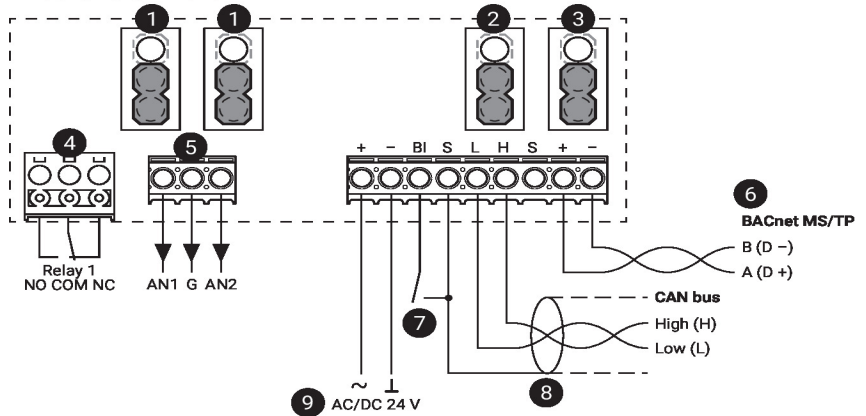
Electrical Data	Nominal voltage	AC/DC 24 V
	Nominal voltage frequency	50/60 Hz
	Power consumption AC	5 VA
	Power consumption DC	1.7 W
	Cable entry	2 top, 2 bottom, 1 rear – 1/2" EMT
	Cable specification	Power cable: 18...20 AWG Communication cable: 24 AWG twisted shielded pair, low capacitance
	Fuse	Thermal PTC, auto-reset
	Data bus communication	Communication
Functional Data		
	Application	air
	Output signal active note	Analog outputs (2), 2...10 V or 4...20 mA, user selectable with jumper
	Output signal relay note	Relays (1 or 2) SPDT, 5A @ AC 125 V, non-inductive
	Max. altitude	6562 ft [2000 m] above sea level
	Display	LCD With backlight Gas type, gas concentration, alarm level status
	Alarm	Audible alarm Built-in white strobe for level 3
Materials	Housing	UL94 5VA

Safety Data	UL Approval	cCSAus listed to C22.2 No. 61010-1-12, UL Std. No. 61010-1 (3rd Edition), harmonized under IEC/EN 61010-1 BTL listed No. BTL-30001
	Pollution degree	2
	Ambient humidity	15...90% RH continuous, 0...99% RH intermittent, non-condensing
	Ambient temperature	-20...40°C [-4...104°F]

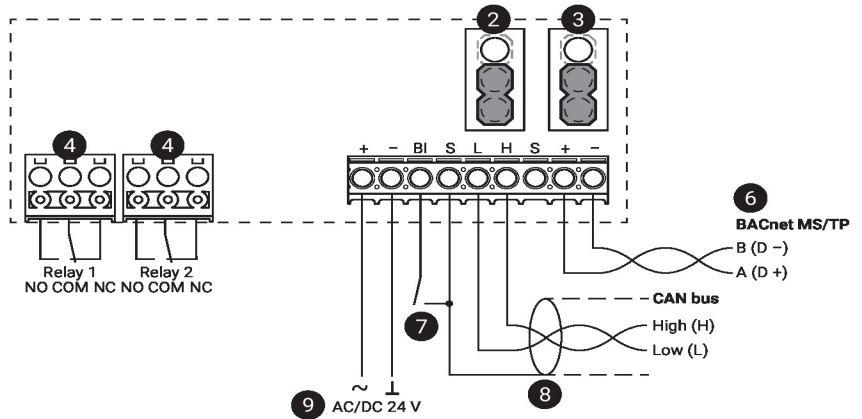
Accessories

Communication module	Description	Type
	Communication module, CAN bus, BACnet MS/TP, 1 SPDT Relay, 2 Analog Outputs	C-22G-5A
	Communication module, CAN bus, BACnet MS/TP, 2 SPDT Relays	C-22G-5B
	Communication module, CAN bus	C-22G-5C
Electrical accessories	Description	Type
	Audible alarm	A-22G-A16
	Relay unit, CAN bus, 4 SPDT Relays	C-22G-50
Mechanical accessories	Description	Type
	Splash proof enclosure, Wall mount	A-22G-A12
	Duct mount enclosure, Duct mount	A-22G-A13

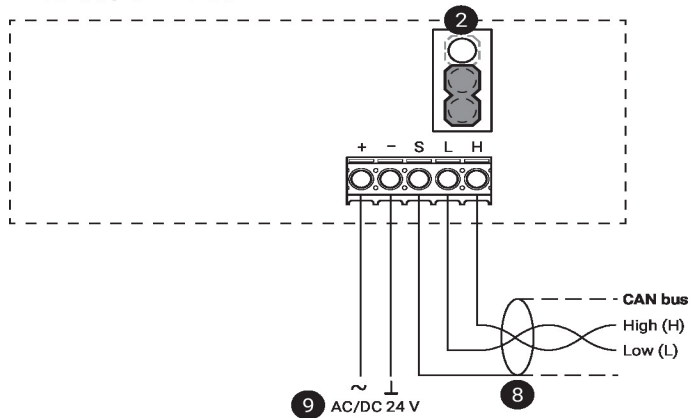
22G..-5A / C-22G-5A



22G..-5B / C-22G-5B

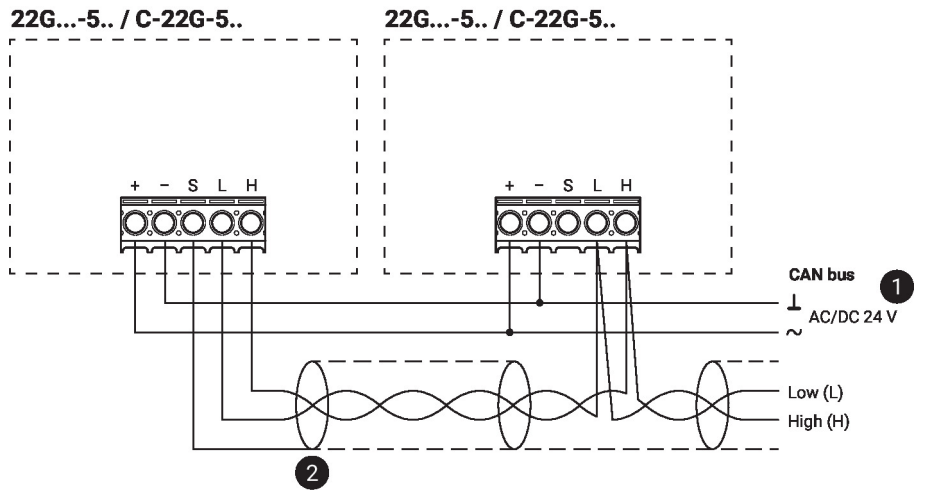


22G..-5C / C-22G-5C



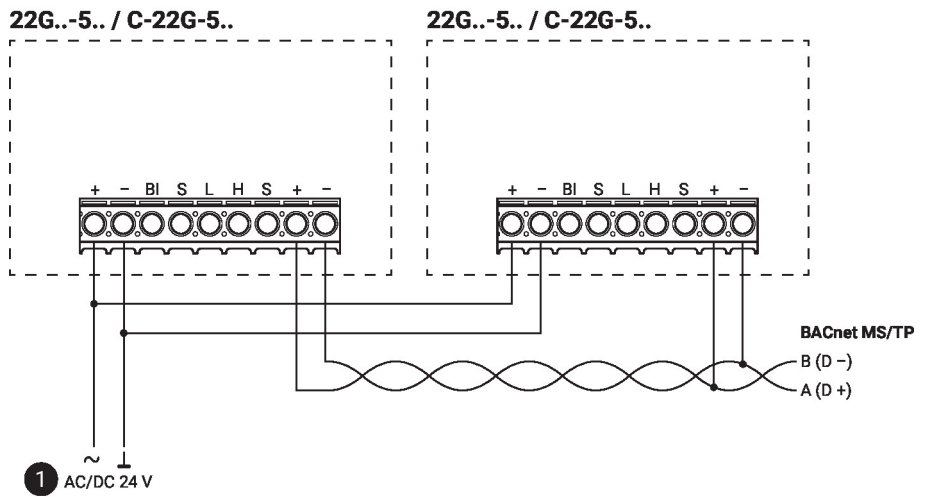
- 1 Analog outputs
Down position: 2...10 V (factory setting)
Up position: 4...20 mA
- 2 End of line (EOL) jumper: CAN bus
Down position: Termination OFF (factory setting)
Up position: Termination ON (first and last unit only should have this jumper in the up position)
- 3 End of line (EOL) jumper: BACnet MS/TP
Down position: Termination OFF (factory setting)
Up position: Termination ON (first and last unit only should have this jumper in the up position)
- 4 Relay output
- 5 Analog output
- 6 Shield connected at the first unit only, at others only looped through
- 7 Binary input to limit switch
- 8 Shield connected at the first unit only, at others only looped through
- 9 No connection to the ground

Wiring CAN bus CAN bus



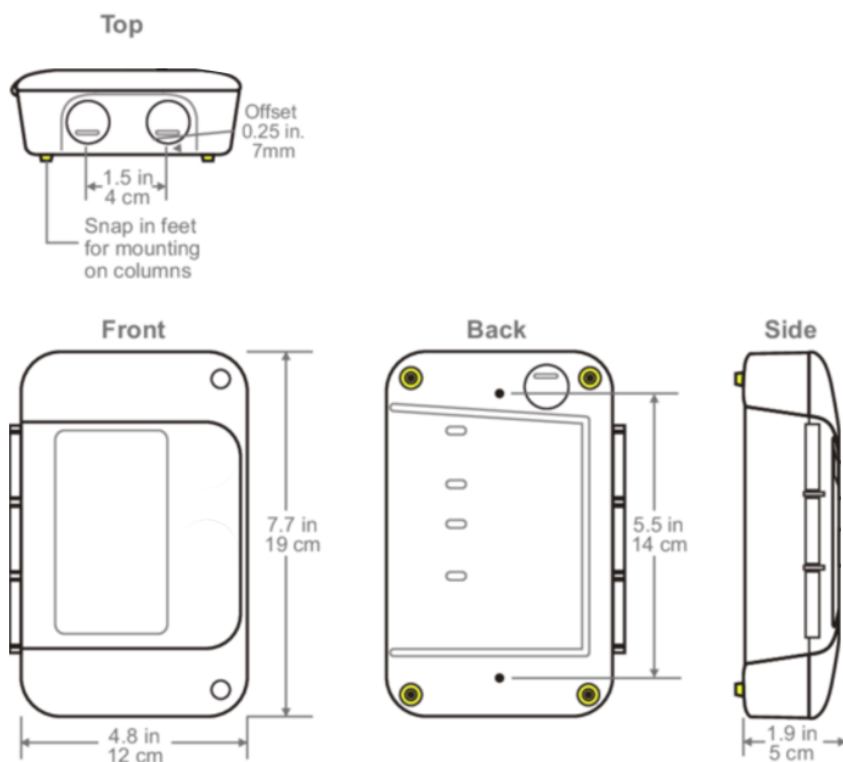
- 1 No connection to the ground
- 2 Shield connected at the first unit only, at others only looped through

Wiring RS485 BACnet MS/TP



- 1 No connection to the ground

Dimensions



Type	Weight
C-22G-5A	0.95 lb [0.43 kg]
C-22G-5B	0.95 lb [0.43 kg]
C-22G-5C	0.95 lb [0.43 kg]
C-22G-50	0.95 lb [0.43 kg]

Further documentation

- Installation instructions
- Operating instructions