

HOA-120VMFT

For Use with MFT 120V SY Actuators



Technical Data	
Power Supply	24 VAC ± 10%, 50/60 Hz
Position Indication	dial
Ambient Humidity	5 to 95% RH non-condensing
Ambient Temperature Range	-22°F to 122°F [-30°C to 50°C]
Storage Temperature Range	-22°F to 122°F [-30°C to 50°C]
Housing	NEMA 4X, IP67
Housing Material	die cast aluminum alloy
Servicing	maintenance free
Weight	4.6 lb [2.1 kg]

Application

The HOA unit provides local shut off of the SY actuator.

Operation

In normal operation, the green power light is lit and the switch is in the Auto position.

The MFT version the switch has two positions:

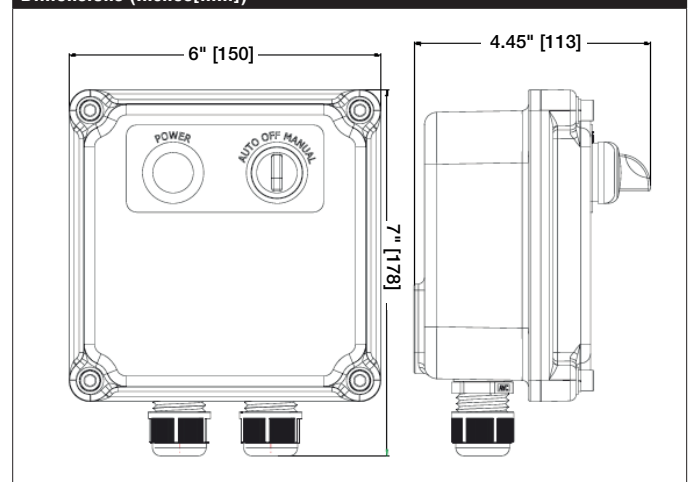
Auto: In this position the actuator/valve is controlled by the way the assembly was installed. The heater is active. The hand wheel can be turned to move the valve but the valve will immediately move back to control signal position when the hand wheel is released. The power light is on.

Off: In this position the actuator is without power. The heater is inactive. The hand wheel can be turned to move the valve to the desired position. The valve will stay in this position until the switch on the HOA is moved to the Auto position. The power light is off.

Suitable Actuators

	Non-Spring
HOA-120VMFT	SY

Dimensions (Inches[mm])



Wiring Diagrams



Meets cULus requirements without the need of an electrical ground connection.

WARNING! LIVE ELECTRICAL COMPONENTS!

During installation, testing, servicing and troubleshooting of this product, it may be necessary to work with live electrical components. Have a qualified licensed electrician or other individual who has been properly trained in handling live electrical components perform these tasks. Failure to follow all electrical safety precautions when exposed to live electrical components could result in death or serious injury.

