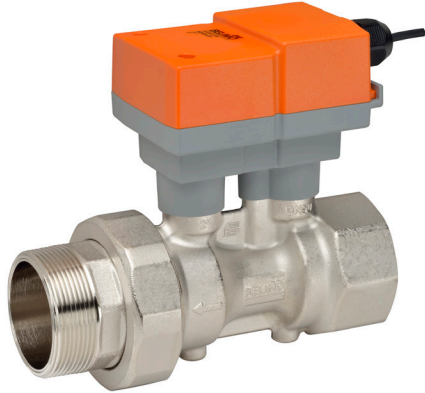


# M2450-EP-100, 2", Replacement Flow Sensor for ePIV

Ultrasonic, Transit Time Technology



Technical Data	
Service	chilled, hot water, up to 60% glycol
Size [mm]	2" [50]
End Fitting	inlet 2" [50] npt female, outlet 2" [50] npt male
Body Pressure Rating [psi]	360
Inlet Length to Meet Specified	inlet: 5x nominal pipe size (NPS) outlet: no
Measurement Accuracy	requirement
Flow Measurement Tolerance	±2% *
Flow Measurement Repeatability	±0.5%
Sensor Technology	ultrasonic (transit time) with glycol and temperature compensation
Media Temperature Range	-4°F to 250°F [-20°C to 120°C]
Flow Housing Material	forged brass, nickel plated
Enclosure	NEMA 2, IP54, UL Enclosure Type 2
Quality Standard	ISO 9001

\*All flow accuracies are @ 68°F-77°F (20°C-25°C).

## Application

This sensor is for replacement purposes only. Do not use this part as a standalone. It is required to be wired with an ePIV.

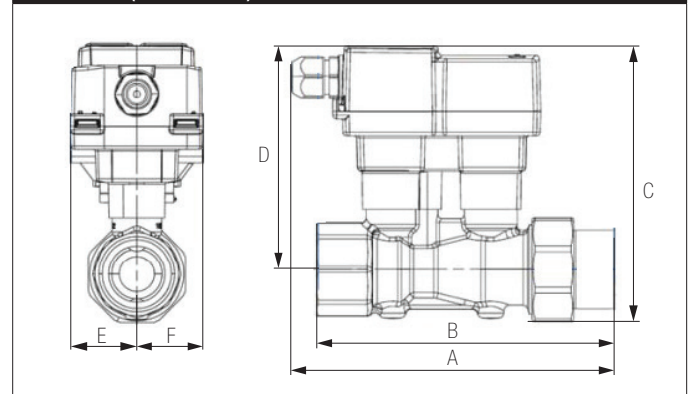
## Operation

The ultrasonic flow meter is an accurate and repeatable liquid flow measurement meter by utilizing ultrasonic transit time technology. The transducers perform as both emitter and receiver to provide accurate signal reflection.

## Product Features

The flow meter incorporates an embedded temperature sensor which enables Belimo's patented temperature and glycol compensation logic to accurately read flow over a wide range of water variables. Easy installation and compact to fit anywhere.

## Dimensions (Inches [mm])



A	B	C	D	E	F
5.88" [149]	5.37" [137]	6.5" [165]	5" [127]	1.5" [38]	