



PIPE PACKAGES

Fast Delivery and Ease of Installation

- Simple design using SelectPro Piping Package configurator.
- Factory assembled and tested saving time and money.
- 100% leak tested.

Pipe Package Nomenclature

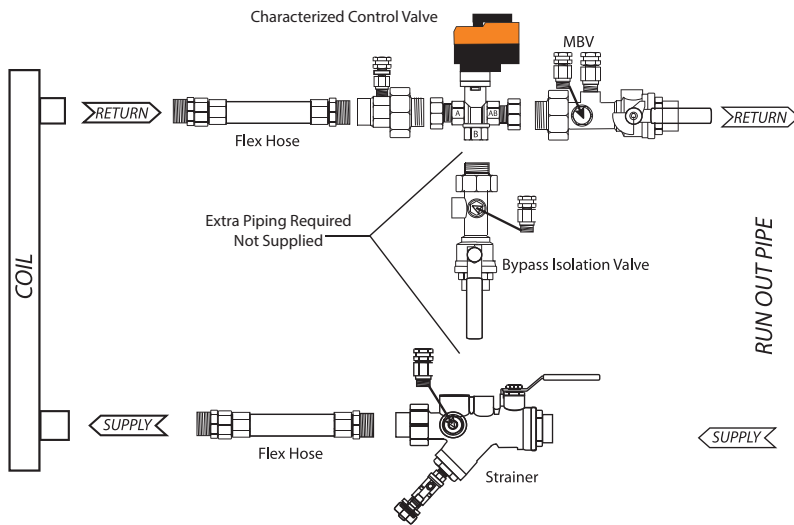
P 2	1 1 1	1 2 1 3	1 2 1 1	2
Pipe Package P = Pipe Package Valve Type 2 = 2-way CCV 3 = 3-way CCV Z = Zone QCV* PIQCV* ePIV* Options X = Extension Package S = Supply Side Package	Union Valve Size 1 = ½” 2 = ¾” 3 = 1” 4 = 1” to ¾” 5 = ¾” to ½” A = 1½” B = 1¼” C = 2” D = 1¼” to 1” E = 1½” to 1¼” F = 2” to 1½” G = 1” to ½” H = 1¼” to ¾” J = 1½” to 1” K = 2” to 1¼” Body End 1 = Female NPT 2 = Copper Sweat Configuration 1 = Standard Tailpiece End Male NPT Only	Isolation Valve / Manual Balance Valve Valve Size 1 = ½” 2 = ¾” 3 = 1” 4 = 1” to ¾” 5 = ¾” to ½” A = 1½” B = 1¼” C = 2” D = 1¼” to 1” E = 1½” to 1¼” F = 2” to 1½” G = 1” to ½” H = 1¼” to ¾” J = 1½” to 1” K = 2” to 1¼” Body End 1 = Female NPT 2 = Copper Sweat Configuration 1 = Standard Tailpiece End Male NPT Only	Strainer / Isolation Valve Valve Size 1 = ½” 2 = ¾” 3 = 1” 4 = 1” to ¾” 5 = ¾” to ½” A = 1½” B = 1¼” C = 2” D = 1¼” to 1” E = 1½” to 1¼” F = 2” to 1½” G = 1” to ½” H = 1¼” to ¾” J = 1½” to 1” K = 2” to 1¼” Body End 1 = Female NPT 2 = Copper Sweat Configuration 1 = Standard Tailpiece End (Strainer Option) 1 = Female NPT 2 = Copper Sweat 3 = Male NPT Tailpiece End (Isolation Valve Option) 0 = Select “0” for Isolation Valve Option Male NPT Only	Hose Diameter & Length 1 = ½” (12” length) 2 = ½” (24” length) 3 = ¾” (12” length) 4 = ¾” (24” length) 5 = 1” (12” length) 6 = 1” (24” length) 7 = ½” (18” length) 8 = ¾” (18” length) 9 = 1” (18” length) A = 1¼” (18” length) H = 1¼” (24” length) B = 1¼” (36” length) C = 1½” (18” length) D = 1½” (24” length) E = 1½” (36” length) F = 2” (24” length) G = 2” (36” length)

Please refer to typical Pipe Package layouts on pages prior to ordering. Nomenclature chart does not include all options or press connection types. Download Select-Pro software for complete options and available configurations.

*QCV, PIQCV, and ePIV Pipe packages available. Contact Customer Service or Technical Support for more information.

Note: Pipe Package Smart Code does not include the Belimo Control Valve in the price.

UNION BODY x TAIL	PART NUMBER	UNION LIST PRICE	ISOLATION VALVE BODY x TAIL	PART NUMBER	ISOLATION VALVE LIST PRICE	MANUAL BALANCE VALVE BODY x TAIL *	PART NUMBER	MANUAL BALANCE VALVE LIST PRICE
1/2" x 1/2"	PPU111	\$56	1/2" x 1/2"	PPV1110	\$99	1/2" x 1/2" (Cv 1.30, 0.48 - 1.21 GPM)	PPL1111	\$168
3/4" x 3/4"	PPU211	\$64	3/4" x 3/4"	PPV2110	\$113	1/2" x 1/2" (Cv 2.65, 0.89 - 2.47 GPM)	PPL1112	\$168
1" x 1"	PPU311	\$84	1" x 1"	PPV3110	\$170	1/2" x 1/2" (Cv 7.00, 2.22 - 6.60 GPM)	PPL1113	\$168
1" x 3/4"	PPU411	\$84	1" x 3/4"	PPV4110	\$170	3/4" x 3/4" (Cv 1.30, 0.48 - 1.21 GPM)	PPL2111	\$172
3/4" x 1/2"	PPU511	\$64	3/4" x 1/2"	PPV5110	\$114	3/4" x 3/4" (Cv 2.65, 0.89 - 2.47 GPM)	PPL2112	\$172
1 1/2" x 1 1/2"	PPUA11	\$169	1 1/2" x 1 1/2"	PPVA110	\$498	3/4" x 3/4" (Cv 7.00, 2.22 - 6.60 GPM)	PPL2113	\$172
1 1/4" x 1 1/4"	PPUB11	\$121	1 1/4" x 1 1/4"	PPVB110	\$387	1" x 1" (Cv 7.00, 2.6 - 6.60 GPM)	PPL3114	\$261
2" x 2"	PPUC11	\$246	2" x 2"	PPVC110	\$673	1" x 1" (Cv 17.6, 5.5 - 16.5 GPM)	PPL3115	\$261
1 1/4" x 1"	PPUD11	\$121	1 1/4" x 1"	PPVD110	\$387	1" x 3/4" (Cv 2.65, 0.89 - 2.47 GPM)	PPL4114	\$261
1 1/2" x 1 1/4"	PPUE11	\$169	1 1/2" x 1 1/4"	PPVE110	\$498	1" x 3/4" (Cv 3.61, 1.56 - 3.36 GPM)	PPL4115	\$172
2" x 1 1/2"	PPUF11	\$246	2" x 1 1/2"	PPVF110	\$673	1" x 3/4" (Cv 7.05, 2.22 - 6.60 GPM)	PPL5111	\$172
1" x 1/2"	PPUG11	\$84	1" x 1/2"	PPVG110	\$170	1" x 3/4" (Cv 17.6, 5.50 - 16.5 GPM)	PPL5112	\$172
1 1/4" to 3/4"	PPUH11	\$121	1 1/4" to 3/4"	PPVH110	\$387	3/4" x 1/2" (Cv 1.30, 0.48 - 1.21 GPM)	PPL5113	\$172
1 1/2" x 1"	PPUJ11	\$169	1 1/2" x 1"	PPVJ110	\$498	1 1/2" x 1 1/2" (Cv 57.0, 12.8 - 38.0 GPM)	PPLA11B	\$578
2" x 1 1/4"	PPUK11	\$246	2" x 1 1/4"	PPVK110	\$673	1 1/4" x 1 1/4" (Cv 34.0, 10.6 - 31.8 GPM)	PPLB11A	\$261
						2" x 2" (Cv 57.0, 18.0 - 38.0 GPM)	PPLC11C	\$632
						2" x 2" (Cv 88, 30.0 - 88.0 GPM)	PPLC11D	\$632
						1 1/4" x 1" (Cv 17.6, 5.5 - 16.5 GPM)	PPLD114	\$383
						1 1/2" x 1 1/4" (Cv 34.0, 10.6 - 31.8 GPM)	PPLE11B	\$462
						2" x 1 1/2" (Cv 57.0, 12.8 - 38.0 GPM)	PPLF11C	\$632
						1" x 1/2" (Cv 7.05, 2.6 - 6.6 GPM)	PPLG114	\$261
						1" x 1/2" (Cv 11.4, 4.0 - 11 GPM)	PPLG115	\$261
						1 3/4" x 3/4" (Cv 11.4, 4.0 - 11 GPM)	PPLH11A	\$478
						1 1/2" x 1" (Cv 17.6, 5.5 - 16.5 GPM)	PPLJ11B	\$463
						2" x 1 1/4" (Cv 34.0, 10.6 - 31.8 GPM)	PPLK11C	\$632



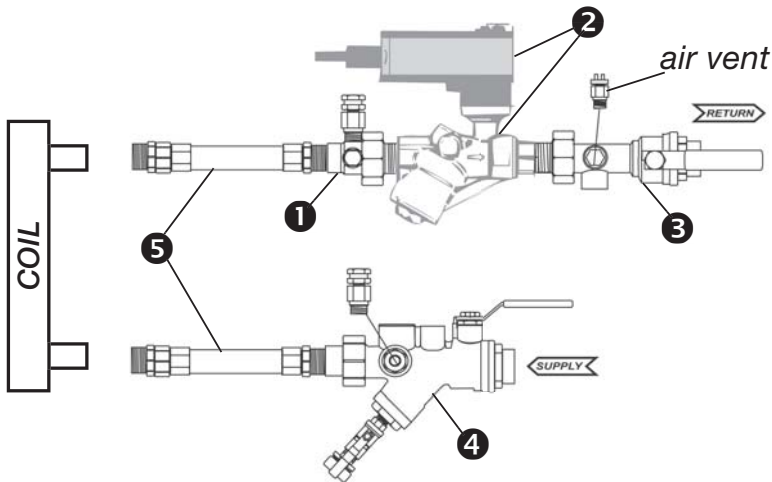
*Referenced flow values are based on 10"-90" Dp range at 2 ft. head.

STRAINER BODY x TAIL	PART NUMBER	STRAINER LIST PRICE	HOSE	PART NUMBER	HOSE (1) LIST PRICE
1/2" x 1/2"	PPS1111	\$135	1/2" (12" length)	PHOSE1	\$43
3/4" x 3/4"	PPS2111	\$165	1/2" (24" length)	PHOSE2	\$54
1" x 1"	PPS3111	\$183	3/4" (12" length)	PHOSE3	\$68
1" x 3/4"	PPS4111	\$183	3/4" (24" length)	PHOSE4	\$88
3/4" x 1/2"	PPS5111	\$165	1" (12" length)	PHOSE5	\$130
1 1/2" x 1 1/2"	PPSA111	\$335	1" (24" length)	PHOSE6	\$151
1 1/4" x 1 1/4"	PPSB111	\$299	1/2" (18" length)	PHOSE1C	\$54
2" x 2"	PPSC111	\$514	3/4" (18" length)	PHOSE3C	\$85
1 1/4" x 1"	PPSD111	\$299	1" (18" length)	PHOSE5C	\$154
1 1/2" x 1 1/4"	PPSE111	\$335	1 1/4" (18" length)	PHOSEAA	\$233
2" x 1 1/2"	PPSF111	\$514	1 1/4" (24" length)	PHOSEAB	\$259
1" x 1/2"	PPSG111	\$183	1 1/4" (36" length)	PHOSEAC	\$303
1 1/4" x 3/4"	PPSH111	\$299	1 1/2" (18" length)	PHOSEBA	\$333
1 1/2" x 1"	PPSJ111	\$335	1 1/2" (24" length)	PHOSEBB	\$367
2" x 1 1/4"	PPSK111	\$514	1 1/2" (36" length)	PHOSEBC	\$464
			2" (24" length)	PHOSECA	\$710
			2" (36" length)	PHOSECB	\$827

Add price for Isolation Bypass Valve for 3-way CCV Packages. Bypass Valve is not shown in the reorder number.
 Example: A 1/2" 3-way CCV, will get a 1/2" Isolation Valve for the Bypass Port. The adder for the Isolation Valve in this example is \$96 List Price.

F-NPT configurations shown above. For complete selection of all available connection types including press and sweat, refer to Select-Pro software.
 1 1/4"- 2" components, components without P/T ports, components with extensions, double reduction, and press fit connections have increased lead time.

Please Note: For return policy, refer to Piping Package section in Terms and Conditions.



PICCV (½" to 2") Return Side Package (Standard)

- ❶ Union
- ❷ Belimo Valve and Actuator (Not included in Smart Code or List Price)
- ❸ Isolation Valve
- ❹ Strainer or Isolation Valve (Strainer shown)
- ❺ Optional hoses are available

Supply side packages feature the Belimo control valve on the supply side of the coil and the above components arranged in a supply configuration. Refer to the SelectPro software for supply side configurations.



Union Technical Specifications

Service	chilled or hot water, 60% glycol
Sizes	½", ¾", 1", 1¼", 1½", 2"
Materials:	
Body	forged brass
Union nut	forged brass
Tailpiece	forged brass
Gasket	EPDM
Readout port body & cap	extruded brass
Readout port seal	Nordel
Pressure/temperature ratings:	
½" to 2"	400 psi
Component temperature	250°F maximum
Media temperature range	0°F to 212°F [-18°C to +100°C]

Isolation Valve Technical Specifications

Service	chilled or hot water, 60% glycol
Sizes	½", ¾", 1", 1¼", 1½", 2"
Materials:	
Body	forged brass
Gland nut	extruded brass
Ball	chrome plated/hot forged brass
Stem	extruded brass
Union nut	forged brass
Tailpiece	forged brass
Seats	virgin PTFE
Packing	virgin PTFE
Stem o-rings	Viton
Readout port body & cap	extruded brass
Readout port seal	Nordel
Pressure/temperature ratings:	
½" to ¾"	600 psi
1" to 2"	500 psi
Component temperature	300°F maximum
Media temperature range	0°F to 212°F [-18°C to +100°C]
Leakage	0%

Strainer Technical Specifications

Service	chilled or hot water, 60% glycol
Sizes	½", ¾", 1", 1¼", 1½", 2"
Materials:	
Body	forged brass
Union nut	forged brass
Ball	chrome plated/forged brass
Stem & gland nut	forged brass
Tailpiece	forged brass
Seals & packing	PTFE
Stem o-rings	Viton
Strainer screen	304 stainless steel /20 mesh standard
Readout port body & cap	extruded brass
Readout port seal	Nordel
Pressure/temperature ratings:	
½" to 2"	600 psi
Component temperature	325°F maximum
Media temperature range	0°F to 212°F [-18°C to +100°C]
Leakage	0%

Hose Technical Specifications

External braiding	stainless steel AISI 304
Crimping ferrules	stainless steel AISI 304
Connectors	machined brass
Fiber gasket	BA-U fiber washer
Core	formulated EPDM
Operating & burst pressure rating:	
½"	375 psi operating 1500 psi burst pressure
¾"	300 psi operating 1200 psi burst pressure
1"	225 psi operating 900 psi burst pressure
1¼"	200 psi operating 800 psi burst pressure
1½"	175 psi operating 600 psi burst pressure
2"	150 psi operating 500 psi burst pressure
Component temperature	5°F to 230°F [-15°C to +110°C] less than 41°F with use of glycol additive.

Note: Media temperature may be limited by the hose rating



COMPONENT ORDER NOMENCLATURE

EXAMPLE: PP-PICCV	PP	211	2110	2111	3
		Union PPU211	Isolation PPV2110	Strainer PPS2111	Hose PHOSE3



Extension Packages Include:

- Extended handle for Isolation Valve and Strainer
- Extended P/T port for Union, Isolation Valve and Strainer
- Extended air vent for Isolation Valve

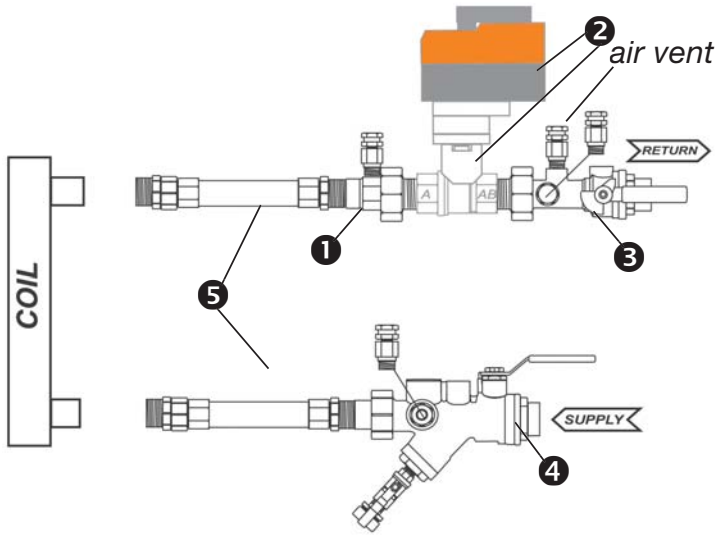
PIPE PACKAGE SMARTCODE (PICCV)			UNION	ISOLATION VALVE	STRAINER	LIST PRICE
Pipe Package Part # (2-way PICCV) without Hose	Valve Nominal Size		Body End/ Tailpiece End	Body End/ Tailpiece End	Body End/ Tailpiece End	
	Inches	DN [mm]				
PP 111 1110 1111 0	½	15	F-NPT/M-NPT	F-NPT/M-NPT	F-NPT/F-NPT	\$290
PP 121 1210 1212 0	½	15	Sweat/M-NPT	Sweat/M-NPT	Sweat/Sweat	\$290
PP 131 1110 1113 0	½	15	M-NPT/M-NPT	F-NPT/M-NPT	F-NPT/M-NPT	\$290
PP 131 1210 1213 0	½	15	M-NPT/M-NPT	Sweat/M-NPT	Sweat/M-NPT	\$290
PP 211 2110 2111 0	¾	20	F-NPT/M-NPT	F-NPT/M-NPT	F-NPT/F-NPT	\$342
PP 221 2210 2212 0	¾	20	Sweat/M-NPT	Sweat/M-NPT	Sweat/Sweat	\$342
PP 231 2110 2113 0	¾	20	M-NPT/M-NPT	F-NPT/M-NPT	F-NPT/M-NPT	\$342
PP 231 2210 2213 0	¾	20	M-NPT/M-NPT	Sweat/M-NPT	Sweat/M-NPT	\$342
PP 311 3110 3111 0	1	25	F-NPT/M-NPT	F-NPT/M-NPT	F-NPT/F-NPT	\$437
PP 321 3210 3212 0	1	25	Sweat/M-NPT	Sweat/M-NPT	Sweat/Sweat	\$437
PP 331 3110 3113 0	1	25	M-NPT/M-NPT	F-NPT/M-NPT	F-NPT/M-NPT	\$437
PP 331 3210 3213 0	1	25	M-NPT/M-NPT	Sweat/M-NPT	Sweat/Sweat	\$437

PIPE PACKAGE SMARTCODE (PICCV)			UNION	ISOLATION VALVE	STRAINER	LIST PRICE
Pipe Package Part # (2-way PICCV) with 12" Hose	Valve Nominal Size		Body End/ Tailpiece End	Body End/ Tailpiece End	Body End/ Tailpiece End	
	Inches	DN [mm]				
PP 111 1110 1111 1	½	15	F-NPT/M-NPT	F-NPT/M-NPT	F-NPT/F-NPT	\$377
PP 111 1210 1211 1	½	15	F-NPT/M-NPT	Sweat/M-NPT	Sweat/F-NPT	\$377
PP 211 2110 2111 3	¾	20	F-NPT/M-NPT	F-NPT/M-NPT	F-NPT/F-NPT	\$478
PP 211 2210 2211 3	¾	20	F-NPT/M-NPT	Sweat/M-NPT	Sweat/F-NPT	\$478
PP 311 3110 3111 5	1	25	F-NPT/M-NPT	F-NPT/M-NPT	F-NPT/F-NPT	\$698
PP 311 3210 3211 5	1	25	F-NPT/M-NPT	Sweat/M-NPT	Sweat/F-NPT	\$698

PIPE PACKAGE SMARTCODE (PICCV)			UNION	ISOLATION VALVE	STRAINER	LIST PRICE
Pipe Package Part # (2-way PICCV) with 24" hose	Valve Nominal Size		Body End/ Tailpiece End	Body End/ Tailpiece End	Body End/ Tailpiece End	
	Inches	DN [mm]				
PP 111 1110 1111 2	½	15	F-NPT/M-NPT	F-NPT/M-NPT	F-NPT/F-NPT	\$397
PP 111 1210 1211 2	½	15	F-NPT/M-NPT	Sweat/M-NPT	Sweat/F-NPT	\$397
PP 211 2110 2111 4	¾	20	F-NPT/M-NPT	F-NPT/M-NPT	F-NPT/F-NPT	\$518
PP 211 2210 2211 4	¾	20	F-NPT/M-NPT	Sweat/M-NPT	Sweat/F-NPT	\$518
PP 311 3110 3111 6	1	25	F-NPT/M-NPT	F-NPT/M-NPT	F-NPT/F-NPT	\$739
PP 311 3210 3211 6	1	25	F-NPT/M-NPT	Sweat/M-NPT	Sweat/F-NPT	\$739

All combinations of reorder numbers are not reflected above. Please use the nomenclature or download the SelectPro software at www.belimo.us to configure other possible combinations.

Please Note: For return policy, refer to Piping Package section in Terms and Conditions.



2-way CCV (½" to 2") Return Side Package (Standard)

- ❶ Union
- ❷ Belimo Valve and Actuator (Not included in Smart Code or List Price)
- ❸ Manual Balance Valve
- ❹ Strainer
- ❺ Optional hoses are available

Supply side packages feature the Belimo control valve on the supply side of the coil and the above components arranged in a supply configuration. Refer to the SelectPro software for supply side configurations.



Union Technical Specifications

Service	chilled or hot water, 60% glycol
Sizes	½", ¾", 1", 1¼", 1½", 2"
Materials:	
Body	forged brass
Union nut	forged brass
Tailpiece	forged brass
Gasket	EPDM
Readout port body & cap	extruded brass
Readout port seal	Nordel
Pressure/temperature ratings:	
½" to 2"	400 psi
Component temperature	250°F maximum
Media temperature range	0°F to 212°F [-18°C to +100°C]

Manual Balance Valve Technical Specifications

Service	chilled or hot water, 60% glycol
Sizes	½", ¾", 1", 1¼", 1½", 2"
Materials:	
Body	forged brass
Ball	chrome plated/forged brass
Stem	extruded brass
Union	forged brass
Tailpiece	forged brass
Gland nut	extruded brass
Seats & packing	virgin PTFE
O-rings	viton
Venturi	extruded brass
Readout port body & cap	extruded brass
Readout port seal	Nordel
Memory stop	forged brass
Pressure/temperature ratings:	
½" to 2"	400 psi
Component temperature	300°F maximum
Media temperature range	0°F to 212°F [-18°C to +100°C]
Leakage	0%

Strainer Technical Specifications

Service	chilled or hot water, 60% glycol
Sizes	½", ¾", 1", 1¼", 1½", 2"
Materials:	
Body	forged brass
Union nut	forged brass
Ball	chrome plated/forged brass
Stem & gland nut	forged brass
Tailpiece	forged brass
Seats & packing	PTFE
Stem o-rings	Viton
Strainer screen	304 stainless steel /20 mesh standard
Readout port body & cap	extruded brass
Readout port seal	Nordel
Pressure/temperature ratings:	
½" to 2"	600 psi
Component temperature	325°F maximum
Media temperature range	0°F to 212°F [-18°C to +100°C]
Leakage	0%

Hose Technical Specifications

External braiding	stainless steel AISI 304
Crimping ferrules	stainless steel AISI 304
Connectors	machined brass
Fiber gasket	BA-U fiber washer
Core	formulated EPDM
Operating & burst pressure rating:	
½"	375 psi operating 1500 psi burst pressure
¾"	300 psi operating 1200 psi burst pressure
1"	225 psi operating 900 psi burst pressure
1¼"	200 psi operating 800 psi burst pressure
1½"	175 psi operating 600 psi burst pressure
2"	150 psi operating 500 burst pressure
Component temperature	5°F to 230°F [-15°C to +110°C] less than 41°F with use of glycol additive.

Note: Media temperature may be limited by the hose rating



COMPONENT ORDER NOMENCLATURE

EXAMPLE: P2	111	1111	1111	1
	Union PPU111	MBV PPL1111	Strainer PPS1111	Hose PHOSE1



Extension Packages Include:

- Extended handle for Manual Balance Valve, Isolation Valve and Strainer
- Extended P/T ports for Union, Manual Balance Valve, Strainer or Isolation Valve
- Extended air vent for Manual Balance Valve and Isolation Valve

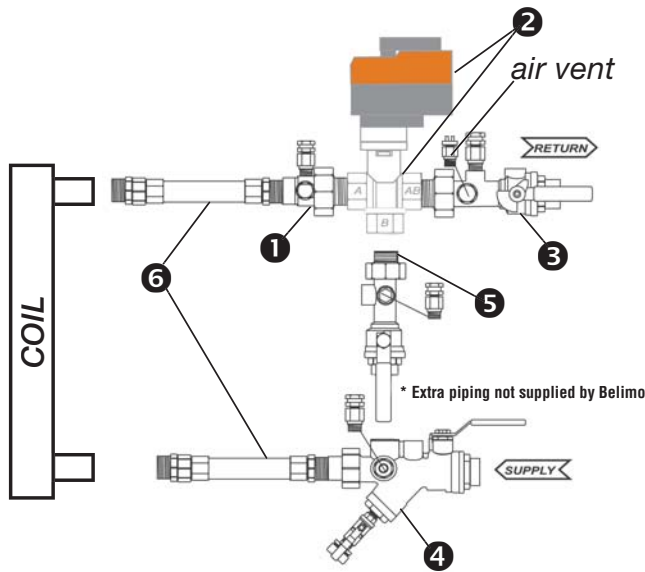
PIPE PACKAGE SMARTCODE (CCV)			UNION	MANUAL BALANCE VALVE	STRAINER	LIST PRICE
Pipe Package Model # (2-way CCV) without hose	Valve Nominal Size		Body End/ Tailpiece End	Body End/ Tailpiece End	Body End/ Tailpiece End	
	Inches	DN [mm]				
P2 111 1111 1111 0	½	15	F-NPT/M-NPT	F-NPT/M-NPT	F-NPT/F-NPT	\$358
P2 121 1211 1212 0	½	15	Sweat/M-NPT	Sweat/M-NPT	Sweat/Sweat	\$358
P2 131 1111 1113 0	½	15	M-NPT/M-NPT	F-NPT/M-NPT	F-NPT/M-NPT	\$358
P2 111 1211 1211 0	½	15	F-NPT/M-NPT	Sweat/M-NPT	Sweat/F-NPT	\$358
P2 131 1211 1213 0	½	15	M-NPT/M-NPT	Sweat/M-NPT	Sweat/M-NPT	\$358
P2 211 2111 2111 0	¾	20	F-NPT/M-NPT	F-NPT/M-NPT	F-NPT/F-NPT	\$401
P2 221 2211 2212 0	¾	20	Sweat/M-NPT	Sweat/M-NPT	Sweat/Sweat	\$401
P2 231 2111 2113 0	¾	20	M-NPT/M-NPT	F-NPT/M-NPT	F-NPT/M-NPT	\$401
P2 211 2211 2211 0	¾	20	F-NPT/M-NPT	Sweat/M-NPT	Sweat/F-NPT	\$401
P2 231 2211 2213 0	¾	20	M-NPT/M-NPT	Sweat/M-NPT	Sweat/M-NPT	\$401
P2 311 3114 3111 0	1	25	F-NPT/M-NPT	F-NPT/M-NPT	F-NPT/F-NPT	\$528
P2 321 3214 3212 0	1	25	Sweat/M-NPT	Sweat/M-NPT	Sweat/Sweat	\$528
P2 331 3114 3113 0	1	25	M-NPT/M-NPT	F-NPT/M-NPT	F-NPT/M-NPT	\$528
P2 311 3214 3211 0	1	25	F-NPT/M-NPT	Sweat/M-NPT	Sweat/F-NPT	\$528
P2 331 3214 3213 0	1	25	M-NPT/M-NPT	Sweat/M-NPT	Sweat/M-NPT	\$528

PIPE PACKAGE SMARTCODE (CCV)			UNION	MANUAL BALANCE VALVE	STRAINER	LIST PRICE
Pipe Package Model # (2-way CCV) with 12" hose	Valve Nominal Size		Body End/ Tailpiece End	Body End/ Tailpiece End	Body End/ Tailpiece End	
	Inches	DN [mm]				
P2 111 1111 1111 1	½	15	F-NPT/M-NPT	F-NPT/M-NPT	F-NPT/F-NPT	\$445
P2 111 1111 1211 1	½	15	F-NPT/M-NPT	F-NPT/M-NPT	Sweat/F-NPT	\$445
P2 111 1211 1111 1	½	15	F-NPT/M-NPT	Sweat/M-NPT	F-NPT/F-NPT	\$445
P2 111 1211 1211 1	½	15	F-NPT/M-NPT	Sweat/M-NPT	Sweat/F-NPT	\$445
P2 211 2111 2111 3	¾	20	F-NPT/M-NPT	F-NPT/M-NPT	F-NPT/F-NPT	\$537
P2 211 2111 2211 3	¾	20	F-NPT/M-NPT	F-NPT/M-NPT	Sweat/F-NPT	\$537
P2 211 2211 2111 3	¾	20	F-NPT/M-NPT	Sweat/M-NPT	F-NPT/F-NPT	\$537
P2 211 2211 2211 3	¾	20	F-NPT/M-NPT	Sweat/M-NPT	Sweat/F-NPT	\$537
P2 311 3114 3111 5	1	25	F-NPT/M-NPT	F-NPT/M-NPT	F-NPT/F-NPT	\$789
P2 311 3114 3211 5	1	25	F-NPT/M-NPT	F-NPT/M-NPT	Sweat/F-NPT	\$789
P2 311 3214 3111 5	1	25	F-NPT/M-NPT	Sweat/M-NPT	F-NPT/F-NPT	\$789
P2 311 3214 3211 5	1	25	F-NPT/M-NPT	Sweat/M-NPT	Sweat/F-NPT	\$789

PIPE PACKAGE SMARTCODE (CCV)			UNION	MANUAL BALANCE VALVE	STRAINER	LIST PRICE
Pipe Package Model # (2-way CCV) with 24" hose	Valve Nominal Size		Body End/ Tailpiece End	Body End/ Tailpiece End	Body End/ Tailpiece End	
	Inches	DN [mm]				
P2 111 1111 1111 2	½	15	F-NPT/M-NPT	F-NPT/M-NPT	F-NPT/F-NPT	\$466
P2 111 1111 1211 2	½	15	F-NPT/M-NPT	F-NPT/M-NPT	Sweat/F-NPT	\$466
P2 111 1211 1111 2	½	15	F-NPT/M-NPT	Sweat/M-NPT	F-NPT/F-NPT	\$466
P2 111 1211 1211 2	½	15	F-NPT/M-NPT	Sweat/M-NPT	Sweat/F-NPT	\$466
P2 211 2111 2111 4	¾	20	F-NPT/M-NPT	F-NPT/M-NPT	F-NPT/F-NPT	\$576
P2 211 2111 2211 4	¾	20	F-NPT/M-NPT	F-NPT/M-NPT	Sweat/F-NPT	\$576
P2 211 2211 2111 4	¾	20	F-NPT/M-NPT	Sweat/M-NPT	F-NPT/F-NPT	\$576
P2 211 2211 2211 4	¾	20	F-NPT/M-NPT	Sweat/M-NPT	Sweat/F-NPT	\$576
P2 311 3114 3111 6	1	25	F-NPT/M-NPT	F-NPT/M-NPT	F-NPT/F-NPT	\$830
P2 311 3114 3211 6	1	25	F-NPT/M-NPT	F-NPT/M-NPT	Sweat/F-NPT	\$830
P2 311 3214 3111 6	1	25	F-NPT/M-NPT	Sweat/M-NPT	F-NPT/F-NPT	\$830
P2 311 3214 3211 6	1	25	F-NPT/M-NPT	Sweat/M-NPT	Sweat/F-NPT	\$830

All combinations of reorder numbers are not reflected above. Please use the nomenclature or download the SelectPro software at www.belimo.us to configure other possible combinations. Reference 21-1 for Manual Balance Valve flow rates.

Please Note: For return policy, refer to Piping Package section in Terms and Conditions.



3-way CCV (½" to 2") Return Side Package (Standard)

- ❶ Union
- ❷ Belimo Valve and Actuator (Not included in Smart Code or List Price)
- ❸ Manual Balance Valve
- ❹ Strainer
- ❺ Isolation Valve
- ❻ Optional hoses are available

*Note: Extra piping for Isolation Valve to CCV and Strainer is required (not supplied).

Supply side packages feature the Belimo control valve on the supply side of the coil and the above components arranged in a supply configuration. Refer to the SelectPro software for supply side configurations.



Union Technical Specifications

Service	chilled or hot water, 60% glycol
Sizes	½", ¾", 1", 1¼", 1½", 2"
Materials:	
Body	forged brass
Union nut	forged brass
Tailpiece	forged brass
Gasket	EPDM
Readout port body & cap	extruded brass
Readout port seal	Nordel
Pressure/temperature ratings:	
½" to 2"	400 psi
Component temperature	250°F maximum
Media temperature range	0°F to 212°F [-18°C to +100°C]

Manual Balance Valve Technical Specifications

Service	chilled or hot water, 60% glycol
Sizes	½", ¾", 1", 1¼", 1½", 2"
Materials:	
Body	forged brass
Ball	chrome plated/forged brass
Stem	extruded brass
Union	forged brass
Tailpiece	forged brass
Gland nut	extruded brass
Seats & packing	virgin PTFE
O-rings	Viton
Venturi	extruded brass
Readout port body & cap	extruded brass
Readout port seal	Nordel
Memory stop	forged brass
Pressure/temperature ratings:	
½" to 2"	400 psi
Component temperature	300°F maximum
Media temperature range	0°F to 212°F [-18°C to +100°C]
Leakage	0%

Strainer Technical Specifications

Service	chilled or hot water, 60% glycol
Sizes	½", ¾", 1", 1¼", 1½", 2"
Materials:	
Body	forged brass
Union nut	forged brass
Ball	chrome plated/forged brass
Stem & gland nut	forged brass
Tailpiece	forged brass
Seals & packing	PTFE
Stem o-rings	Viton
Strainer screen	304 stainless steel / 20 mesh standard
Readout port body & cap	extruded brass
Readout port seal	Nordel
Pressure/temperature ratings:	
½" to 2"	600 psi
Component temperature	325°F maximum
Media temperature range	0°F to 212°F [-18°C to +100°C]
Leakage	0%

Isolation Valve Technical Specifications

Service	chilled or hot water, 60% glycol
Sizes	½", ¾", 1", 1¼", 1½", 2"
Materials:	
Body	forged brass
Gland nut	extruded brass
Ball	chrome plated/hot forged brass
Stem	extruded brass
Union nut	forged brass
Tailpiece	forged brass
Seats	virgin PTFE
Packing	virgin PTFE
Stem o-rings	Viton
Readout port body & cap	extruded brass
Readout port seal	Nordel
Pressure/temperature ratings:	
½" to ¾"	600 psi
1" to 2"	500 psi
Component temperature	300°F maximum
Media temperature range	0°F to 212°F [-18°C to +100°C]
Leakage	0%

Hose Technical Specifications

External braiding	stainless steel AISI 304
Crimping ferrules	stainless steel AISI 304
Connectors	machined brass
Fiber gasket	BA-U fiber washer
Core	formulated EPDM
Operating & burst pressure rating:	
½"	375 psi operating 1500 psi burst pressure
¾"	300 psi operating 1200 psi burst pressure
1"	225 psi operating 900 psi burst pressure
1¼"	200 psi operating 800 psi burst pressure
1½"	175 psi operating 600 psi burst pressure
2"	150 psi operating 500 burst pressure
Component temp.	5°F to 230°F [-15°C to +110°C] less than 41°F with use of glycol additive.

Note: Media temperature may be limited by the hose rating



COMPONENT ORDER NOMENCLATURE

EXAMPLE: P3	311	3114	3111	5
	Union PPU311	MBV PPL3114	Strainer PPS3111	Hose PHOSE5



Extension Packages Include:

- Extended handle for Manual Balance Valve, Isolation Valve and Strainer
- Extended P/T ports for Union, Manual Balance Valve, Strainer or Isolation Valve
- Extended air vent for Manual Balance Valve and Isolation Valve

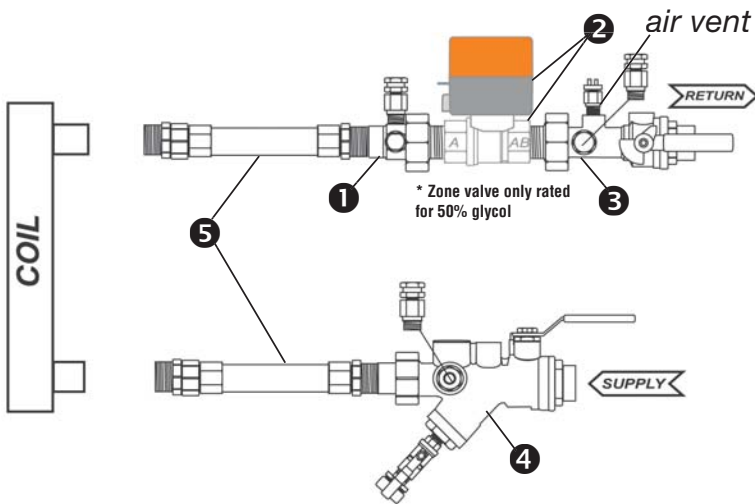
PIPE PACKAGE SMARTCODE (CCV)		UNION		MANUAL BALANCE VALVE	STRAINER	LIST PRICE
Pipe Package Model # (3-way CCV) without hose	Valve Nominal Size Inches DN [mm]	Body End/ Tailpiece End	Body End/ Tailpiece End	Body End/ Tailpiece End	Body End/ Tailpiece End	
P3 111 1111 1111 0	½ 15	F-NPT/M-NPT	F-NPT/M-NPT	F-NPT/F-NPT	F-NPT/F-NPT	\$457
P3 121 1211 1212 0	½ 15	Sweat/M-NPT	Sweat/M-NPT	Sweat/Sweat	Sweat/Sweat	\$457
P3 131 1111 1113 0	½ 15	M-NPT/M-NPT	F-NPT/M-NPT	F-NPT/M-NPT	F-NPT/M-NPT	\$457
P3 111 1211 1211 0	½ 15	F-NPT/M-NPT	Sweat/M-NPT	Sweat/F-NPT	Sweat/F-NPT	\$457
P3 131 1211 1213 0	½ 15	M-NPT/M-NPT	Sweat/M-NPT	Sweat/M-NPT	Sweat/M-NPT	\$457
P3 211 2111 2111 0	¾ 20	F-NPT/M-NPT	F-NPT/M-NPT	F-NPT/F-NPT	F-NPT/F-NPT	\$513
P3 221 2211 2212 0	¾ 20	Sweat/M-NPT	Sweat/M-NPT	Sweat/Sweat	Sweat/Sweat	\$513
P3 231 2111 2113 0	¾ 20	M-NPT/M-NPT	F-NPT/M-NPT	F-NPT/M-NPT	F-NPT/M-NPT	\$513
P3 211 2211 2211 0	¾ 20	F-NPT/M-NPT	Sweat/M-NPT	Sweat/F-NPT	Sweat/F-NPT	\$513
P3 231 2211 2213 0	¾ 20	M-NPT/M-NPT	Sweat/M-NPT	Sweat/M-NPT	Sweat/M-NPT	\$513
P3 311 3114 3111 0	1 25	F-NPT/M-NPT	F-NPT/M-NPT	F-NPT/F-NPT	F-NPT/F-NPT	\$698
P3 321 3214 3212 0	1 25	Sweat/M-NPT	Sweat/M-NPT	Sweat/Sweat	Sweat/Sweat	\$698
P3 331 3114 3113 0	1 25	M-NPT/M-NPT	F-NPT/M-NPT	F-NPT/M-NPT	F-NPT/M-NPT	\$698
P3 311 3214 3211 0	1 25	F-NPT/M-NPT	Sweat/M-NPT	Sweat/F-NPT	Sweat/F-NPT	\$698
P3 331 3214 3213 0	1 25	M-NPT/M-NPT	Sweat/M-NPT	Sweat/M-NPT	Sweat/M-NPT	\$698

PIPE PACKAGE SMARTCODE (CCV)		UNION		MANUAL BALANCE VALVE	STRAINER	LIST PRICE
Pipe Package Model # (3-way CCV) with 12" hose	Valve Nominal Size Inches DN [mm]	Body End/ Tailpiece End	Body End/ Tailpiece End	Body End/ Tailpiece End	Body End/ Tailpiece End	
P3 111 1111 1111 1	½ 15	F-NPT/M-NPT	F-NPT/M-NPT	F-NPT/F-NPT	F-NPT/F-NPT	\$544
P3 111 1111 1211 1	½ 15	F-NPT/M-NPT	F-NPT/M-NPT	Sweat/F-NPT	Sweat/F-NPT	\$544
P3 111 1211 1111 1	½ 15	F-NPT/M-NPT	Sweat/M-NPT	F-NPT/F-NPT	F-NPT/F-NPT	\$544
P3 111 1211 1211 1	½ 15	F-NPT/M-NPT	Sweat/M-NPT	Sweat/F-NPT	Sweat/F-NPT	\$544
P3 211 2111 2111 3	¾ 20	F-NPT/M-NPT	F-NPT/M-NPT	F-NPT/F-NPT	F-NPT/F-NPT	\$650
P3 211 2111 2211 3	¾ 20	F-NPT/M-NPT	F-NPT/M-NPT	Sweat/F-NPT	Sweat/F-NPT	\$650
P3 211 2211 2111 3	¾ 20	F-NPT/M-NPT	Sweat/M-NPT	F-NPT/F-NPT	F-NPT/F-NPT	\$650
P3 211 2211 2211 3	¾ 20	F-NPT/M-NPT	Sweat/M-NPT	Sweat/F-NPT	Sweat/F-NPT	\$650
P3 311 3114 3111 5	1 25	F-NPT/M-NPT	F-NPT/M-NPT	F-NPT/F-NPT	F-NPT/F-NPT	\$958
P3 311 3114 3211 5	1 25	F-NPT/M-NPT	F-NPT/M-NPT	Sweat/F-NPT	Sweat/F-NPT	\$958
P3 311 3214 3111 5	1 25	F-NPT/M-NPT	Sweat/M-NPT	F-NPT/F-NPT	F-NPT/F-NPT	\$958
P3 311 3214 3211 5	1 25	F-NPT/M-NPT	Sweat/M-NPT	Sweat/F-NPT	Sweat/F-NPT	\$958

PIPE PACKAGE SMARTCODE (CCV)		UNION		MANUAL BALANCE VALVE	STRAINER	LIST PRICE
Pipe Package Model # (3-way CCV) with 24" hose	Valve Nominal Size Inches DN [mm]	Body End/ Tailpiece End	Body End/ Tailpiece End	Body End/ Tailpiece End	Body End/ Tailpiece End	
P3 111 1111 1111 2	½ 15	F-NPT/M-NPT	F-NPT/M-NPT	F-NPT/F-NPT	F-NPT/F-NPT	\$565
P3 111 1111 1211 2	½ 15	F-NPT/M-NPT	F-NPT/M-NPT	Sweat/F-NPT	Sweat/F-NPT	\$565
P3 111 1211 1111 2	½ 15	F-NPT/M-NPT	Sweat/M-NPT	F-NPT/F-NPT	F-NPT/F-NPT	\$565
P3 111 1211 1211 2	½ 15	F-NPT/M-NPT	Sweat/M-NPT	Sweat/F-NPT	Sweat/F-NPT	\$565
P3 211 2111 2111 4	¾ 20	F-NPT/M-NPT	F-NPT/M-NPT	F-NPT/F-NPT	F-NPT/F-NPT	\$689
P3 211 2111 2211 4	¾ 20	F-NPT/M-NPT	F-NPT/M-NPT	Sweat/F-NPT	Sweat/F-NPT	\$689
P3 211 2211 2111 4	¾ 20	F-NPT/M-NPT	Sweat/M-NPT	F-NPT/F-NPT	F-NPT/F-NPT	\$689
P3 211 2211 2211 4	¾ 20	F-NPT/M-NPT	Sweat/M-NPT	Sweat/F-NPT	Sweat/F-NPT	\$689
P3 311 3114 3111 6	1 25	F-NPT/M-NPT	F-NPT/M-NPT	F-NPT/F-NPT	F-NPT/F-NPT	\$1,000
P3 311 3114 3211 6	1 25	F-NPT/M-NPT	F-NPT/M-NPT	Sweat/F-NPT	Sweat/F-NPT	\$1,000
P3 311 3214 3111 6	1 25	F-NPT/M-NPT	Sweat/M-NPT	F-NPT/F-NPT	F-NPT/F-NPT	\$1,000
P3 311 3214 3211 6	1 25	F-NPT/M-NPT	Sweat/M-NPT	Sweat/F-NPT	Sweat/F-NPT	\$1,000

All combinations of reorder numbers are not reflected above. Please use the nomenclature or download the SelectPro software at www.belimo.us to configure other possible combinations. Reference 21-1 for Manual Balance Valve flow rates.

Please Note: For return policy, refer to Piping Package section in Terms and Conditions.



2-way Zone Valve (1/2" to 1" NPT) Return Side Package (Standard)

- ❶ Union
- ❷ Belimo Valve and Actuator (Not included in Smart Code or List Price)
- ❸ Manual Balance Valve
- ❹ Strainer
- ❺ Optional hoses are available

Supply side packages feature the Belimo control valve on the supply side of the coil and the above components arranged in a supply configuration. Refer to the SelectPro software for supply side configurations.



Union Technical Specifications

Service	chilled or hot water, 60% glycol
Sizes	1/2", 3/4", 1", 1 1/4", 1 1/2", 2"
Materials:	
Body	forged brass
Union nut	forged brass
Tailpiece	forged brass
Gasket	EPDM
Readout port body & cap	extruded brass
Readout port seal	Nordel
Pressure/temperature ratings:	
1/2" to 2"	400 psi
Component temperature	250°F maximum
Media temperature range	32°F to 212°F [0°C to 100°C]

Manual Balance Valve Technical Specifications

Service	chilled or hot water, 60% glycol
Sizes	1/2", 3/4", 1", 1 1/4", 1 1/2", 2"
Materials:	
Body	forged brass
Ball	chrome plated/forged brass
Stem	extruded brass
Union	forged brass
Tailpiece	forged brass
Gland nut	extruded brass
Seats & packing	virgin PTFE
O-rings	Viton
Venturi	extruded brass
Readout port body & cap	extruded brass
Readout port seal	Nordel
Memory stop	forged brass
Pressure/temperature ratings:	
1/2" to 2"	400 psi
Component temperature	300°F maximum
Media temperature range	32°F to 212°F [0°C to 100°C]
Leakage	0%

Strainer Technical Specifications

Service	chilled or hot water, 60% glycol
Sizes	1/2", 3/4", 1", 1 1/4", 1 1/2", 2"
Materials:	
Body	forged brass
Union nut	forged brass
Ball	chrome plated/forged brass
Stem & gland nut	forged brass
Tailpiece	forged brass
Seats & packing	PTFE
Stem o-rings	Viton
Strainer screen	304 stainless steel /20 mesh standard
Readout port body & cap	extruded brass
Readout port seal	Nordel
Pressure/temperature ratings:	
1/2" to 2"	600 psi
Component temperature	325°F maximum
Media temperature range	32°F to 212°F [0°C to 100°C]
Leakage	0%

Hose Technical Specifications

External braiding	stainless steel AISI 304
Crimping ferrules	stainless steel AISI 304
Connectors	machined brass
Fiber gasket	BA-U fiber washer
Core	formulated EPDM
Operating & burst pressure rating:	
1/2"	375 psi operating 1500 psi burst pressure
3/4"	300 psi operating 1200 psi burst pressure
1"	225 psi operating 900 psi burst pressure
1 1/4"	200 psi operating 800 psi burst pressure
1 1/2"	175 psi operating 600 psi burst pressure
2"	150 psi operating 500 psi burst pressure
Component temperature	5°F to 230°F [-15°C to +110°C] less than 41°F with use of glycol additive.

Note: Media temperature may be limited by the hose rating



COMPONENT ORDER NOMENCLATURE

EXAMPLE: PP2	111	1111	1111	0
	Union PPU111	MBV PPL1111	Strainer PPS1111	No Hose



Extension Packages Include:

- Extended handle for Manual Balance Valve, Isolation Valve and Strainer
- Extended P/T ports for Union, Manual Balance Valve, Strainer or Isolation Valve
- Extended air vent for Manual Balance Valve and Isolation Valve

PIPE PACKAGE SMARTCODE (ZONE)	Valve Nominal Size		UNION	MANUAL BALANCE VALVE	STRAINER	LIST PRICE
	Pipe Package Model # (2-way Zone Valve) without hose		Body End/ Tailpiece End	Body End/ Tailpiece End	Body End/ Tailpiece End	
	Inches	DN [mm]				
PZ 111 1111 1111 0	1/2	15	F-NPT/M-NPT	F-NPT/M-NPT	F-NPT/F-NPT	\$358
PZ 121 1211 1212 0	1/2	15	Sweat/M-NPT	Sweat/M-NPT	Sweat/Sweat	\$358
PZ 131 1111 1113 0	1/2	15	M-NPT/M-NPT	F-NPT/M-NPT	F-NPT/M-NPT	\$358
PZ 111 1211 1211 0	1/2	15	F-NPT/M-NPT	Sweat/M-NPT	Sweat/F-NPT	\$358
PZ 131 1211 1213 0	1/2	15	M-NPT/M-NPT	Sweat/M-NPT	Sweat/M-NPT	\$358
PZ 211 2111 2111 0	3/4	20	F-NPT/M-NPT	F-NPT/M-NPT	F-NPT/F-NPT	\$401
PZ 221 2211 2212 0	3/4	20	Sweat/M-NPT	Sweat/M-NPT	Sweat/Sweat	\$401
PZ 231 2111 2113 0	3/4	20	M-NPT/M-NPT	F-NPT/M-NPT	F-NPT/M-NPT	\$401
PZ 211 2211 2211 0	3/4	20	F-NPT/M-NPT	Sweat/M-NPT	Sweat/F-NPT	\$401
PZ 231 2211 2213 0	3/4	20	M-NPT/M-NPT	Sweat/M-NPT	Sweat/M-NPT	\$401
PZ 311 3114 3111 0	1	25	F-NPT/M-NPT	F-NPT/M-NPT	F-NPT/F-NPT	\$528
PZ 321 3214 3212 0	1	25	Sweat/M-NPT	Sweat/M-NPT	Sweat/Sweat	\$528
PZ 331 3114 3113 0	1	25	M-NPT/M-NPT	F-NPT/M-NPT	F-NPT/M-NPT	\$528
PZ 321 3214 3211 0	1	25	F-NPT/M-NPT	Sweat/M-NPT	Sweat/F-NPT	\$528
PZ 331 3214 3213 0	1	25	M-NPT/M-NPT	Sweat/M-NPT	Sweat/M-NPT	\$528

PIPE PACKAGE SMARTCODE (ZONE)	Valve Nominal Size		UNION	MANUAL BALANCE VALVE	STRAINER	LIST PRICE
	Pipe Package Model # (2-way Zone Valve) with 12" hose		Body End/ Tailpiece End	Body End/ Tailpiece End	Body End/ Tailpiece End	
	Inches	DN [mm]				
PZ 111 1111 1111 1	1/2	15	F-NPT/M-NPT	F-NPT/M-NPT	F-NPT/F-NPT	\$445
PZ 111 1111 1211 1	1/2	15	F-NPT/M-NPT	F-NPT/M-NPT	Sweat/F-NPT	\$445
PZ 111 1211 1111 1	1/2	15	F-NPT/M-NPT	Sweat/M-NPT	F-NPT/F-NPT	\$445
PZ 111 1211 1211 1	1/2	15	F-NPT/M-NPT	Sweat/M-NPT	Sweat/F-NPT	\$445
PZ 211 2111 2111 3	3/4	20	F-NPT/M-NPT	F-NPT/M-NPT	F-NPT/F-NPT	\$537
PZ 211 2111 2211 3	3/4	20	F-NPT/M-NPT	F-NPT/M-NPT	Sweat/F-NPT	\$537
PZ 211 2211 2111 3	3/4	20	F-NPT/M-NPT	Sweat/M-NPT	F-NPT/F-NPT	\$537
PZ 211 2211 2211 3	3/4	20	F-NPT/M-NPT	Sweat/M-NPT	Sweat/F-NPT	\$537
PZ 311 3114 3111 5	1	25	F-NPT/M-NPT	F-NPT/M-NPT	F-NPT/F-NPT	\$789
PZ 311 3114 3211 5	1	25	F-NPT/M-NPT	F-NPT/M-NPT	Sweat/F-NPT	\$789
PZ 311 3214 3111 5	1	25	F-NPT/M-NPT	Sweat/M-NPT	F-NPT/F-NPT	\$789
PZ 311 3214 3211 5	1	25	F-NPT/M-NPT	Sweat/M-NPT	Sweat/F-NPT	\$789

PIPE PACKAGE SMARTCODE (ZONE)	Valve Nominal Size		UNION	MANUAL BALANCE VALVE	STRAINER	LIST PRICE
	Pipe Package Model # (2-way Zone Valve) with 24" hose		Body End/ Tailpiece End	Body End/ Tailpiece End	Body End/ Tailpiece End	
	Inches	DN [mm]				
PZ 111 1111 1111 2	1/2	15	F-NPT/M-NPT	F-NPT/M-NPT	F-NPT/F-NPT	\$466
PZ 111 1111 1211 2	1/2	15	F-NPT/M-NPT	F-NPT/M-NPT	Sweat/F-NPT	\$466
PZ 111 1211 1111 2	1/2	15	F-NPT/M-NPT	Sweat/M-NPT	F-NPT/F-NPT	\$466
PZ 111 1211 1211 2	1/2	15	F-NPT/M-NPT	Sweat/M-NPT	Sweat/F-NPT	\$466
PZ 211 2111 2111 4	3/4	20	F-NPT/M-NPT	F-NPT/M-NPT	F-NPT/F-NPT	\$576
PZ 211 2111 2211 4	3/4	20	F-NPT/M-NPT	F-NPT/M-NPT	Sweat/F-NPT	\$576
PZ 211 2211 2111 4	3/4	20	F-NPT/M-NPT	Sweat/M-NPT	F-NPT/F-NPT	\$576
PZ 211 2211 2211 4	3/4	20	F-NPT/M-NPT	Sweat/M-NPT	Sweat/F-NPT	\$576
PZ 311 3114 3111 6	1	25	F-NPT/M-NPT	F-NPT/M-NPT	F-NPT/F-NPT	\$830
PZ 311 3114 3211 6	1	25	F-NPT/M-NPT	F-NPT/M-NPT	Sweat/F-NPT	\$830
PZ 311 3214 3111 6	1	25	F-NPT/M-NPT	Sweat/M-NPT	F-NPT/F-NPT	\$830
PZ 311 3214 3211 6	1	25	F-NPT/M-NPT	Sweat/M-NPT	Sweat/F-NPT	\$830

All combinations of reorder numbers are not reflected above. Please use the nomenclature or download the SelectPro software at www.belimo.us to configure other possible combinations. Reference 21-1 for Manual Balance Valve flow rates.

Please Note: For return policy, refer to Piping Package section in Terms and Conditions.

For additional packages up to 2 inches please contact customer service at **1-800-543-9038**.



Tough Piping Package Projects are a Snap with SelectPro

Belimo's pipe packages incorporate valve assemblies and common piping components to simplify the contractor's job by eliminating numerous piping connections, thus saving time and money with less opportunity for error. With a wealth of available options, SelectPro makes it easy for you to accurately configure pipe packages and enables a single point of ordering providing quick reliable solutions, 100% tested, and fast delivery.

Use SelectPro on your next pipe package project.



Download SelectPro at belimo.us