

SGVL Schneider Globe Valve Linkage

For Use with LV and SV Series Actuators



Technical Data	
Service	chilled or hot water and steam
Applicable Valve Size	1/2" [13], 3/4" [19], 1" [25], 1-1/4" [32], 1-1/2" [38], 2" [50]
Hardware	SS and Nickel plated steel
Frame, plate, base	aluminum
Collar	aluminum (fits VB7 1/2" to 2" /VB9 1/2"-1-1/4" valves) also fits post 1994 1-1/2" to 2" valves
Coupling	GF Nylon supplied
Stem Adaptor	steel
Stroke	0.95" [24 mm]
Mounting Position	360°
Media Temperature Range (Water)	Please Refer to Manufacturer's Valve Specifications
Weight	1.1 lb [0.5 kg]

For close-off pressure reference Select Pro or Retrofit Technical Documentation.

Application

The SGVL retrofit kit is designed to easily attach LV and SV series actuators to select Schneider globe valves. Its casted base and free spinning collar allow the SGVL to be mounted on 1/2" to 2" two-way or three-way valves in both normally open and normally closed configurations.

Operation

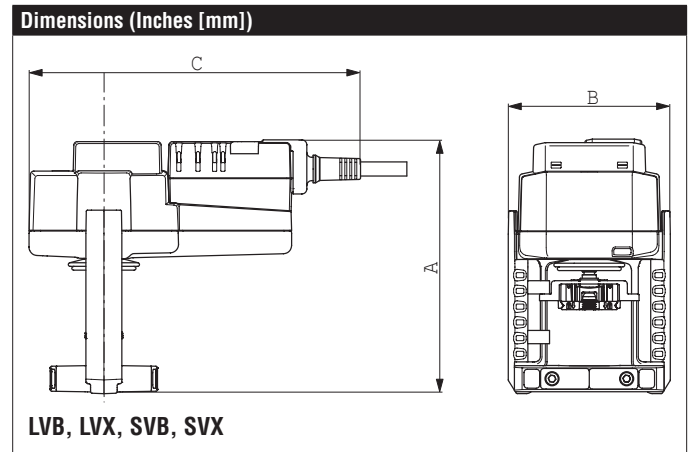
The SGVL linkage with actuator will provide 20 mm of linear travel to accommodate a wide range of valve sizes.

Default/Configuration

The default set up for a SGVL linkage will be factory installed along with a LV or SV series actuator. Included in the kit will be all the necessary hardware to facilitate mounting to the Schneider valve.

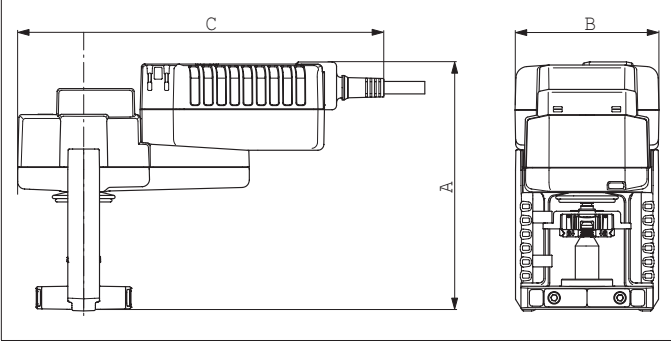
Suitable Actuators

	Non-Spring	Electronic Fail-Safe
SGVL	LVB(X), SVB(X)	LVKB(X), SVKB(X)



A	B	C
6" [152]	3.83" [97.3]	7.87" [200]

Dimensions (Inches [mm])



A	B	C
6.75" [171]	3.83" [97.3]	8.13" [206.5]

LVX24-3

On/Off, Floating Point, Non-Spring Return, Linear, 24 V



Technical Data	
Power Supply	24 VAC ± 20%, 50/60 Hz, 24 VDC ± 10%
Power Consumption Running	1 W
Power Consumption Holding	0.5 W
Transformer Sizing	1 VA (class 2 power source)
Electrical Connection	3 ft, 18 GA plenum rated cable with 1/2" conduit connector protected NEMA 2 (IP54)
Overload Protection	electronic throughout full stroke
Electrical Protection	actuators are double insulated
Operating Range Y	on/off, floating point
Input Impedance	100 k Ω (0.1 mA), 500 Ω, 1000 Ω (on/off)
Feedback Output U	No Feedback
Stroke	0.6" [15 mm]
Linear Force	112 lbf [500 N force]
Direction of Rotation (Motor)	reversible with built-in switch
Position Indication	stroke indicator on bracket
Manual Override	4 mm hex crank (shipped w/actuator)
Running Time (Motor)	90 sec (default), Optional (90 or 150 sec)
Humidity	5 to 95% RH non-condensing
Ambient Temperature Range	-22°F to 122°F [-30°C to 50°C]
Storage Temperature Range	-40°F to 176°F [-40°C to 80°C]
Housing	NEMA 2, IP42, UL enclosure type 2
Housing Material	Aluminum die cast and plastic casing
Agency Listings†	cULus acc. to UL60730-1A/-2-14, CAN/CSA E60730-1:02, CE acc. to 2004/108/EC and 2006/95/EC
Noise Level (Motor)	<55 dB (A)
Servicing	maintenance free
Quality Standard	ISO 9001
Weight	2.9 lb [1.3 kg]

† Use flexible metal conduit. Push the listed conduit fitting device over the actuator's cable to butt against the enclosure. Screw in conduit connector. Jacket the actuators input wiring with listed flexible conduit. Properly terminate the conduit in a suitable junction box. Rated impulse Voltage 800V. Type of action 1. Control pollution degree 3.

†Rated Impulse Voltage 800V, Type of action 1.AA, Control Pollution Degree 3

Date created, 11/03/2016 - Subject to change. © Belimo Aircontrols (USA), Inc.

Wiring Diagrams
INSTALLATION NOTES

- Actuators may be connected in parallel. Power consumption and input impedance must be observed.
- Actuators may also be powered by 24 VDC.
- Actuators with plenum cable do not have numbers; use color codes instead.
- Meets cULus requirements without the need of an electrical ground connection.

WARNING! LIVE ELECTRICAL COMPONENTS!
 During installation, testing, servicing and troubleshooting of this product, it may be necessary to work with live electrical components. Have a qualified licensed electrician or other individual who has been properly trained in handling live electrical components perform these tasks. Failure to follow all electrical safety precautions when exposed to live electrical components could result in death or serious injury.

