

## Belimo Gateway MP to BACnet MS/TP - UK24BAC

### Contents

Complete overview	2
Technical data	3
Safety notes	4
Product features	4
Installation and commissioning	4
Electrical installation	5
Dimensions	7
Operation	8
Protocol Implementation Conformance Statement - PICS	11
BACnet object description	13
Connecting the PC-Tool for parameterisation of the MP/MFT(2) actuators	15
Version overview	16

Complete overview

Gateway MP / BACnet MS/TP



Suitable MP/MFT(2) Actuators

Damper actuators



Fire damper actuators



VAV actuators



Actuators for characterised control valve, butterfly valves and globe valves



EPIV actuators



Gateway MP BACnet MS/TP. MP-bus-capable Belimo actuators can be connected on the MP-Bus side.

- Interface MP – BACnet MS/TP
- Connection of MP/MFT(2) actuators and BF-TopLine actuators to BACnet MS/TP
- Up to 8 actuators and sensors can be connected



### Technical data

<b>Electrical data</b>	Nominal voltage	AC 24V, 50/60 Hz / DC 24V	
	Power supply range	AC / DC 21.6...26.4 V	
	For wire sizing	3 VA / 1.8 W	
	Connection	BACnet MS/TP Supply MP-Bus Tool	Plug-screw terminal, 3-pin Plug-screw terminal, 2-pin Plug-screw terminal, 3-pin (All terminals suitable for 2 x 1.5 mm <sup>2</sup> ) RJ12
	<b>Functional data</b>	Supported actuators	MP/MFT(2), BF-TopLine
	Quantity of actuators	max. 8 pcs.	
	Communication with actuators	Belimo MP-Bus, Master-Slave, 1200 Bd	
	Maximum signal conductor lengths MP	Dependent on the number of connected MP/MFT(2) actuators, actuator type, type of supply and signal conductor cross-section For details see page 5	
	BACnet	Device Profile Medium Number of nodes Baud rates Termination Polarisation	Application Specific Controller (B-ASC) MS/TP (RS-485) master, galvanically isolated max. 32 (without repeater) 9'600, 19'200, 38'400, 76'800 Bd, adjustable via DIP switch 120 Ω, adjustable via DIP switch 510 Ω, adjustable via DIP switch
<b>Safety</b>	Protection class	III Safety extra-low voltage	
	EMC	CE pursuant to 2004/108/EC	
	Ambient temperature	0...+40° C	
<b>Installation / Dimension / Weight</b>	Mounting	Control cabinet installation, can be snapped onto top hat rail 35 mm	
	Dimensions	see page 7	
	Weight	ca. 100 g	

## Safety notes



- The device is not allowed to be used outside the specified field of application.
- It may be installed only by suitably trained personnel.
- The device does not contain any parts that can be replaced or repaired by the user and may only be opened at the manufacturer's site.

## Product features

<b>Mode of operation</b>	The UK24BAC allows the actuators to be controlled digitally via the MP-Bus and send back their current operating status. The control system information and the response is administered in BACnet objects in the UK24BAC and can be processed with BACnet services. This permits the actuator functions to be integrated directly into BACnet.
<b>Sensor linking</b>	One sensor can be connected per MP/MFT(2) actuator. This can be a passive resistance sensor (PT1000, NI1000 or NTC), an active sensor (output DC 0...10 V), or a switching contact. This provides a straightforward way of digitising the analogue signal of the sensors with the Belimo actuator and transferring it via UK24BAC to the BACnet.

## Installation and commissioning

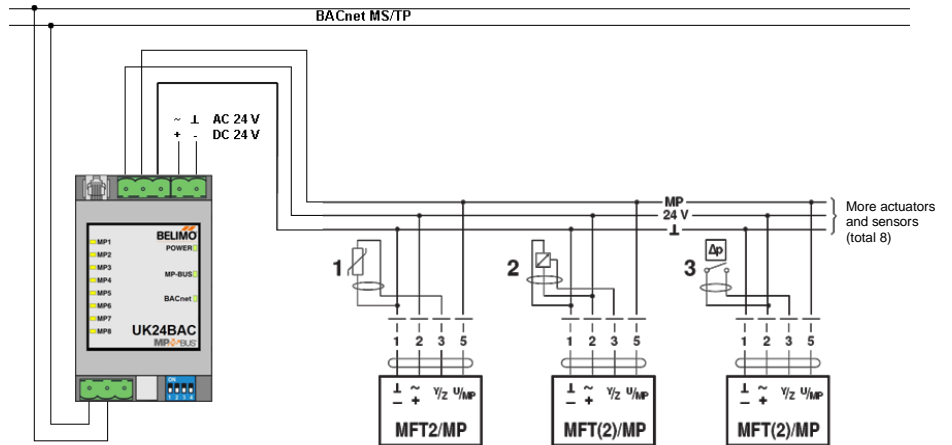
<b>Installation and wiring</b>	The device is mounted on 35 mm top hat rails. The wiring is accomplished with plug-screw terminals.
<b>Commissioning and parameterisation</b>	<p>Commissioning requires no configuration tools.</p> <p>The BACnet MS/TP parameterisation of the device is accomplished with DIP switches: MAC Address (TS), baud rate, bus terminator, biasing</p> <p>The BACnet Device Address (Device Object Identifier, Device Object Name) is calculated based on the MAC Address setting (TS) and an adjustable offset value (see chapter 'PICS' for details). The resulting Device Address with factory-set offset and TS=1 is:</p> <p>Device Object Identifier: 1001 (Instance) Device Object Name: "UK24BAC_1001"</p> <p>The parameterization of the sensors which are connected to the actuators and other settings can be done with any BACnet Client.</p> <p>The addressing of the MP actuators is accomplished either with the keys under the front cover or with the Belimo PC-Tool MFT-P.</p> <p>The MP-Bus assignment is determined automatically and continuously updated. No backup of the network structure takes place.</p>

Electrical installation

Wiring diagram

**AC/DC 24 V supply**  
 Connection via safety isolation transformer!

**Dimensioning of the supply**  
 Also take into account the dimensioning specifications of the connected MFT(2)/MP actuators!



The wiring of BACnet MS/TP (RS485) is to be carried out in accordance with applicable directives. The device possesses resistors which can be switched on for bus connection and biasing.

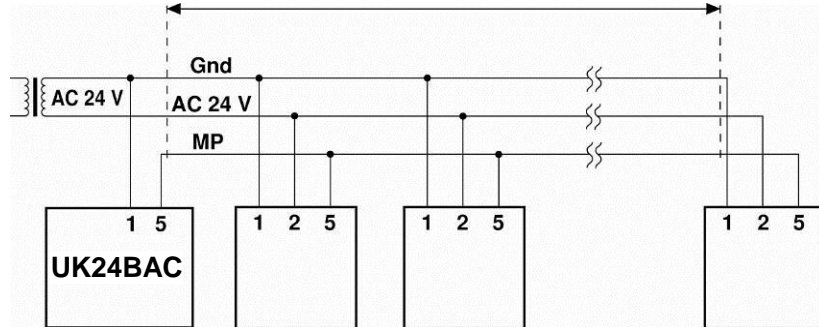
The GND of the RS485 line is galvanically isolated from the MP-Bus GND. Additional galvanic separation shall be provided for segments crossing buildings.

Connection of the MP-Bus

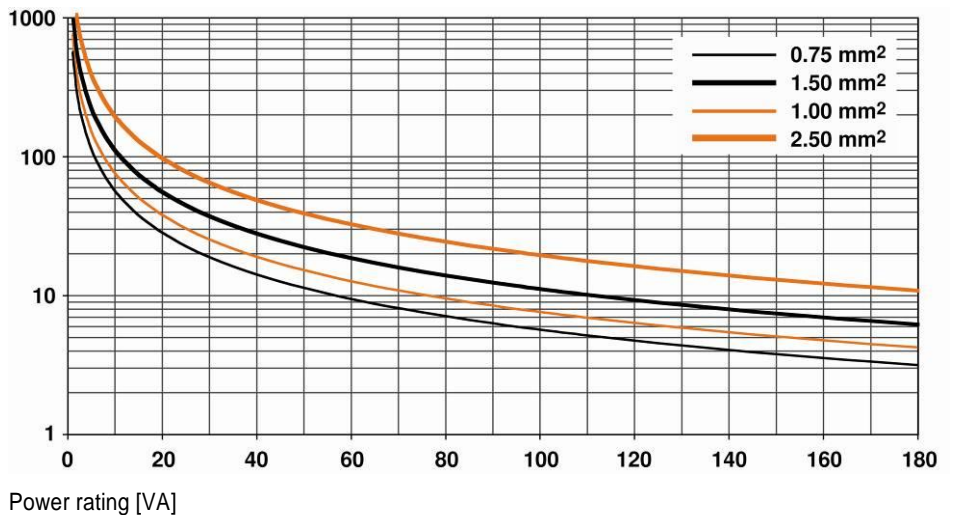
- The network consists of a 3-pin connection (MP communication and 24 V supply).
- Possibility of connecting a maximum of 8 MFT(2)/MP actuators per network.
- Neither a special cable nor terminating resistors are required.
- The signal conductor lengths (for calculation, see below) are limited:
  - by the sum of the signal conductor data of the connected MFT(2)/MP actuators,
  - by the type of supply (AC 24 V via the bus or DC 24 V via the bus),
  - by the signal conductor cross-section.

With AC 24 V supply:  
 Maximum signal conductor length

L = max. cable length [m]



With AC 24 V supply:  
 Total dimensioning MFT(2)/MP actuators [VA]



**Electrical installation**

(continued)

**With AC 24 V supply:  
Calculation of the maximum signal conductor lengths**

The power ratings [VA] of the MP/MFT(2) actuators used are to be added, and the corresponding signal conductor lengths are to be read from the diagram.

Example:

The following is connected to the MP-Bus: 1 pc. NM24A-MP, 1 pc. SM24A-MP, 1 pc. LMV-D2-MP... and 1 pc. NV24-MFT2

Total power rating: 5.5 VA + 6 VA + 5 VA + 5 VA = 21.5 VA

To be read out from the mass of curves:

For cables with wire-Ø [mm²]	Cable length [m]
0.75	29
1.00	35
1.50	50
2.50	90

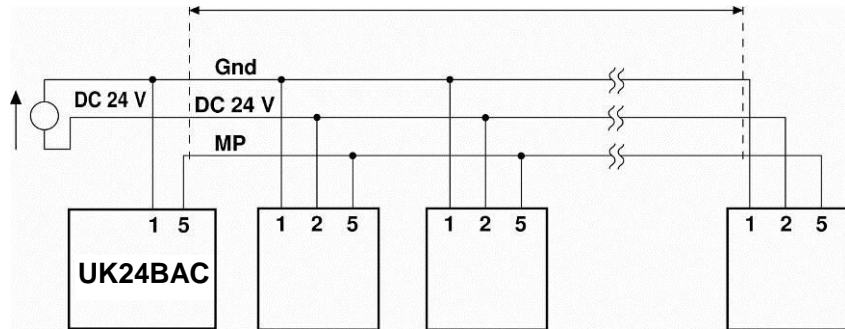
**With local supply AC 24 V (on site):  
Maximum signal conductor length**

The signal conductor lengths can be significantly increased if the actuators are supplied with AC 24 V locally via a separate transformer. The signal conductor lengths indicated in the table apply regardless of the performance data of the actuators connected to the UK24BAC.

Wire-Ø [mm²]	L = max. cable length [m]
0.75	800
1.00	
1.50	
2.50	

**With DC 24 V supply:  
Maximum signal conductor length**

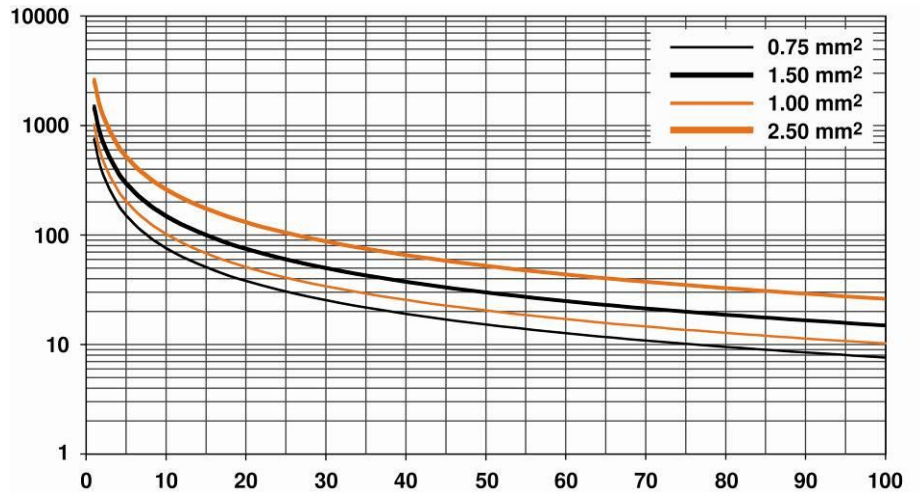
L = max. cable length [m]



**With DC 24 V supply:  
Total power consumption MFT(2)/MP actuators [W]**

Cable length vs wire sizing power applies to DC supply (minimum supply voltage DC 24.0 V)

**Note**  
Cable length vs wire sizing power applies to DC supply (minimum supply voltage DC 24 V)



## Electrical installation

*(continued)*
**With DC 24 V supply:  
Calculation of the maximum signal  
conductor lengths**

To be read out from the mass of curves:	
For cables with wire-Ø [mm <sup>2</sup> ]	Cable length [m]
0.75	55
1.00	75
1.50	110
2.50	190

The power consumption [W] of the MFT(2)/MP actuators used is to be added, and the corresponding signal conductor lengths are to be read from the diagram.

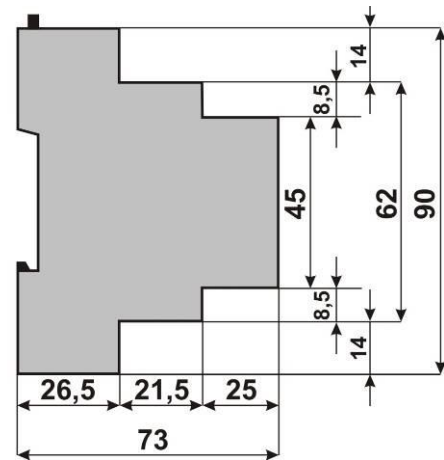
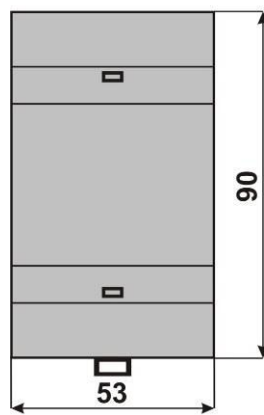
Example:

The following is connected to the MP-Bus: 1 pc. NM24A-MP, 1 pc. SM24A-MP, 1 pc. LMV-D2-MP.. and 1 pc. NV24-MFT 2

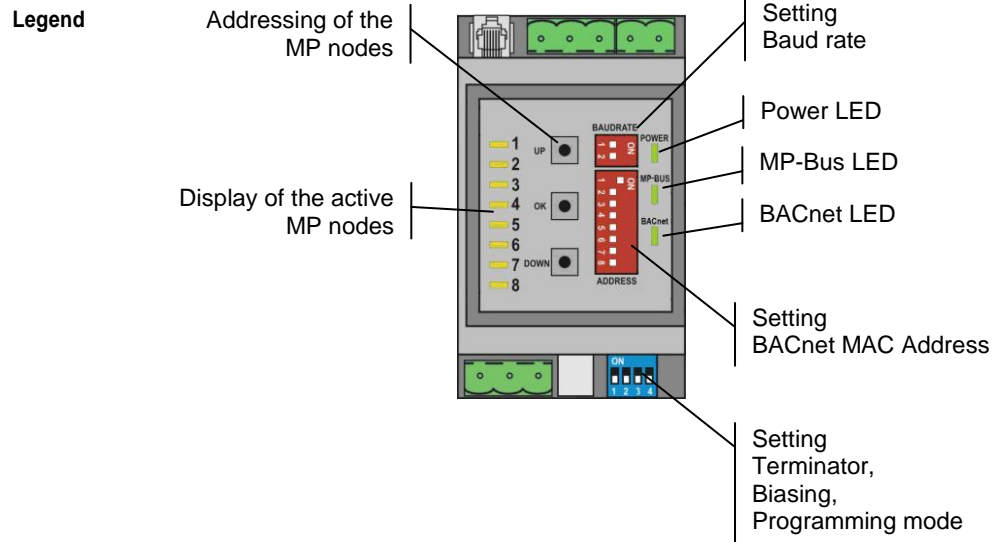
Total power rating 3.5 W + 4 W + 3 W + 3 W = 13.5 W

## Dimensions

Dimensional drawings [mm]



Operation

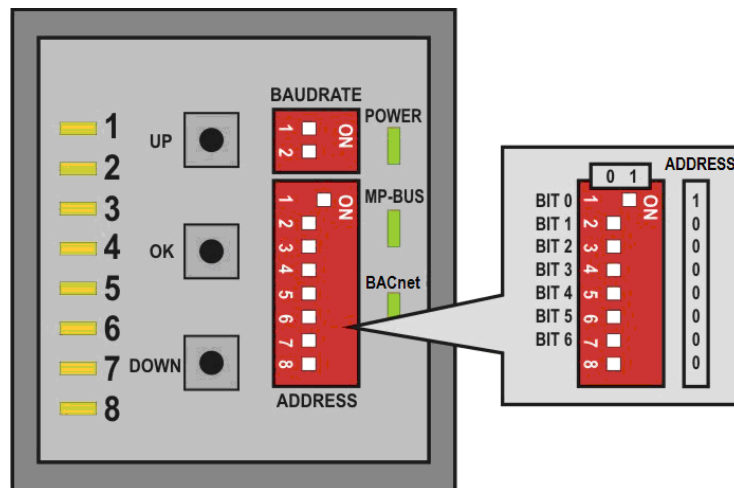


The illustration shows the operation elements of the device with the front cover open.

**Setting the BACnet MAC address**

The BACnet MAC address is set in binary form with the 7 DIP switches under the front cover. The valid address range is 1-127.

Values outside of this range will be interpreted as either 1 or 127, respectively.



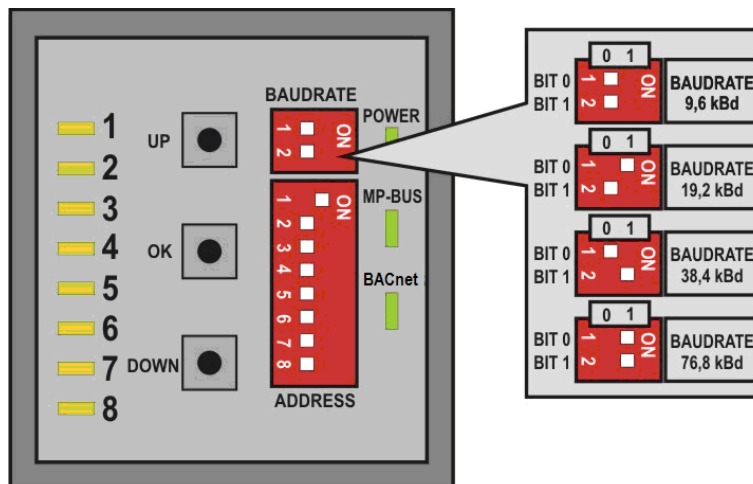


## Operation

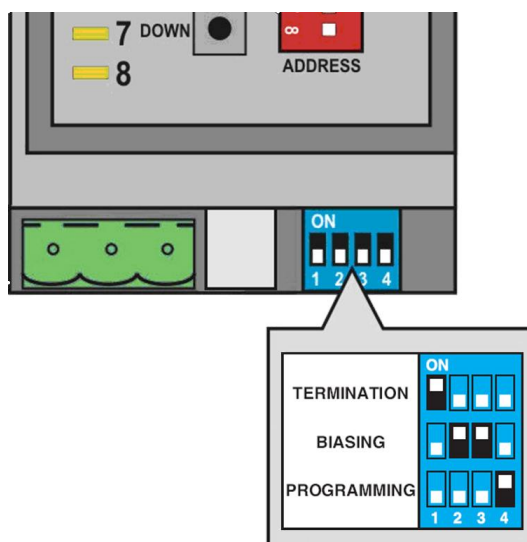
(continued)

## Setting the BACnet baud rate

The BACnet baud rate is set using the DIP switches under the front cover to the values 9'600, 19'200, 38'400 and 76'800.



The RS485 line must be completed at both bus ends with one resistor each. A suitable 120  $\Omega$  element is present in the Gateway which can be switched with DIP switch 1 on the base plate.



The RS485 line can be polarised with two resistors (DIP switches 2 and 3) in order to reduce interference effects during communications pauses. The biasing is implemented as a rule at one of the bus ends. Switches 2 and 3 must always be respectively activated or deactivated together.

Important:

The generally valid guidelines for BACnet MS/TP (RS485) are to be observed!

## Firmware Upgrade

If required, the firmware of the gateway can be upgraded via USB link. The required Upgrade Tool can be obtained from Belimo.

Procedure:

1. Disconnect power supply from device
2. Set DIP switch 4 "Programming" to ON
3. Connect the device with the notebook via USB
4. Download of firmware according to special instruction
5. Remove USB cable
6. Set DIP switch 4 "Programming" to OFF
7. Connect power supply to device

## Operation

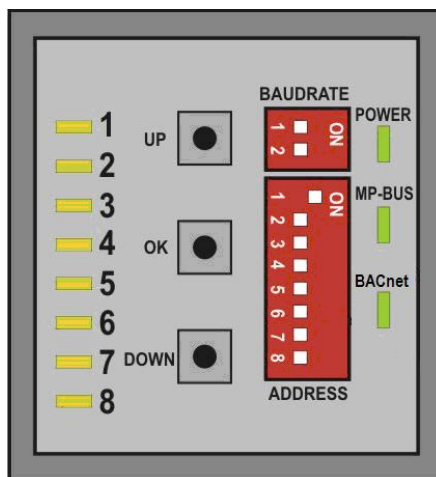
(continued)

**Automatic scanning of the MP network**

The MP-Bus assignment is determined automatically and continuously updated. No backup of the network structure takes place. The actuator information (e.g. series number, actuator type) is extracted as soon as one supported actuator is detected at the addresses MP1...MP8. In the event of a communications interruption, the Gateway will discard the affected actuator after 10 seconds and reset the actuator register. Monitoring of the actuator is accomplished preferably with the datapoint "Actuator type" (Object\_Name: NODE\_TYPE).

**Addressing MP actuators**

The Gateway supports the assigning of addresses to the MP nodes by means of the keys UP, OK and DOWN, located behind the front cover.



## Procedure:

1. Press down the OK key and keep it down until LED1 and BACnet are continuously illuminated.
2. Select an address (LED1...LED8) with the keys UP and DOWN
3. Start addressing sequence with OK key
4. Acknowledge addressing of the respective actuator within 4 minutes; (depending on the type, using the address key, direction of rotation switch, ...)
5. Successful acknowledgement is made visible by the rapid flashing of the corresponding LEDx. Afterwards, the Gateway will switch to standard operation.

The addressing process can be interrupted at any time by pressing the OK key.

The de-addressing of a node is not supported.

**Restore of Factory Settings**

All non-volatile BACnet properties will be restored to factory default by pressing the OK button for more than 3 seconds while the device is starting.

## Protocol Implementation Conformance Statement - PICS

General information	<b>Date:</b>	1. Oktober 2011
	<b>Vendor Name:</b>	BELIMO Automation AG
	<b>Vendor ID:</b>	423
	<b>Product Name:</b>	UK24BAC
	<b>Product Model Number:</b>	N/A
	<b>Applications Software Version:</b>	1.07
	<b>Firmware Revision:</b>	1.07
	<b>BACnet Protocol Revision:</b>	1.10

### Product Description:

The UK24BAC device is a gateway from MP to BACnet MS/TP. Up to eight MP-bus-capable Belimo actuators can be connected on the MP-Bus side. This permits the actuator functions as well as the connected sensors to be integrated directly into BACnet.

The datapoint mapping from MP to BACnet is fix defined. The configuration of the device is accomplished with DIP switches and with Standard BACnet clients.

**BACnet Standard Device Profile:** BACnet Application Specific Controller (B-ASC)

### BACnet Interoperability Building Blocks supported:

Data Sharing - ReadProperty-B (DS-RP-B)  
 Data Sharing - ReadPropertyMultiple-B (DS-RPM-B)  
 Data Sharing - WriteProperty-B (DS-WP-B)  
 Data Sharing - WritePropertyMultiple-B (DS-WPM-B)  
 Data Sharing - COV-Unsolicited-B (DS-COVU-B)  
 Device Management - DynamicDeviceBinding-B (DM-DDB-B)  
 Device Management - DynamicObjectBinding-B (DM-DOB-B)  
 Device Management - DeviceCommunicationControl-B (DM-DCC-B)

**Segmentation Capability:** No

**Data Link Layer Options:** MS/TP master,  
 baud rates: 9'600, 19'200, 38'400, 76'800

**Device Address Binding:** No static device binding supported

**Networking Options:** None

**Character Sets Supported:** ANSI X3.4 / UTF-8

### Standard objects (general)

These BACnet objects exist only once per device:

Datapoint	BACnet Object
-- Device	Device [x]
-- Device ID Offset	AV [1]
-- COV Mode	MV [1]

- The Device Object Identifier (Device-ID) is defined by the BACnet MAC address (TS) and the Device ID Offset: Device-ID=TS+Offset.
- The Device Object Name is defined by the Product Name and the Device-ID:  
 e.g. "UK24BAC\_1001"  
 The calculated value can be overwritten using WriteProperty services. Reset to automatically calculation by writing an empty object name (empty or space character only).

## PICS

(continued)

## Standard objects (per actuator)

The information of the connected actuators is digitized per node in the objects as listed below (whereas n corresponds to the MP address 1-8):

Datapoint	BACnet Object	Air Water	VAV EPIV	Fire
Actuator type	MV <sup>2)</sup> [n*100+0]	✓	✓	✓
Set point [%]	AO <sup>1)</sup> [n*100+0]	✓	✓	
Override operation	MV <sup>1)</sup> [n*100+1]	✓	✓	✓ <sup>3)</sup>
Actual position [%]	AI <sup>2)</sup> [n*100+0]	✓	✓	✓
Relative volumetric flow [%]	AI <sup>2)</sup> [n*100+1]		✓	
Absolute position/stroke	AI <sup>2)</sup> [n*100+2]	✓	✓	✓
Absolute volumetric flow	AI <sup>2)</sup> [n*100+3]		✓	
Sensor type	MV [n*100+3]	✓	✓	
Sensor value	AI <sup>2)</sup> [n*100+4] BI <sup>2)</sup> [n*100+0]	✓	✓	
Summary fault	BV <sup>2)</sup> [n*100+0]	✓	✓	✓
Command	MV [n*100+2]	✓	✓	✓
Min [%]	AV [n*100+1]	✓	✓	
Max [%]	AV [n*100+2]	✓	✓	

1) This object is commandable.

2) This object supports unsolicited COV.

3) This Present\_Value must be periodically updated.

## Object processing

Object type	Optional properties	Writeable properties
Analog Input	Description COV_Increment	COV_Increment
Analog Output	Description	Present_Value Relinquish_Default
Analog Value	Description	Present_Value
Binary Input	Description Active_Text Inactive_Text	
Binary Value	Description Active_Text Inactive_Text	
Device	Description Location Max_Master Max-Info-Frames	Object_Name Description Location APDU_Timeout Number_Of_APDU_Retries Max_Master Max-Info-Frames
Multi-state Value	Description State_Text Relinquish_Default <sup>2)</sup> Priority_Array <sup>2)</sup>	Present_Value <sup>1)</sup> Relinquish_Default <sup>2)</sup>

1) Present\_Value writeable for OVERRIDE\_[n] and COV\_MODE

2) Only if object commandable: OVERRIDE\_[n]

- The properties Object\_Name, Description and Location of the Device Object support up to 64 characters (all other character strings are read-only).
- The device does not support the CreateObject and DeleteObject service.

## Service processing

- The device supports DeviceCommunicationControl service. The execution of the service is password protected (Password: BELIMO).

## BACnet object description

Object Name	Object Type / Instance	Description	Values	Default
<i>Device_Name</i>	Device [x]		-	-
OFFSET_DEV_ID	Analog Value [1]	This value plus the parameterized MAC address (0...127) define the Device-ID.	0 ... 65535	1000
COV_MODE	Multi-state Value [1]	Setting of the COV mode  If COV is enable, changed values will be transmitted as broadcast (local or global). The property <i>COV_Increment</i> must be adjusted accordingly for <i>Analog Input</i> objects.	OFF LOCAL GLOBAL	OFF

Object Name	Object Type / Instance	Description	Values	Default
NODE_TYPE_[n]	Multi-state Value [n*100+0]	Actuator type; the allocation may deviate from the basic category with some actuators.  Note: In the event of a communications interruption, the Gateway will discard the affected actuator after 10 seconds and reset the actuator type to 0. Monitoring of the actuator is thus accomplished preferably with this object.  Each MP node has an unambiguous series number (e.g. 00839-31324-064-008). This number is show in the property <i>Description</i> .	NONE AIR/WATER GLOBE VALVE FIRE VAV/EPIV	NONE
REL_STPT_[n]	Analog Output [n*100+0]	Setpoint for actuator setting in %  The default value can be parameterized with property <i>Relinquish_Default</i> .  In the case of actuators for fire dampers, the control must be accomplished through override control (see <b>OVERRIDE</b> ).	0 ... 100	0
OVERRIDE_[n]	Multi-state Value [n*100+1]	Overriding the setpoint with defined values  The default value can be parameterized with property <i>Relinquish_Default</i> .  For fire dampers: Due to safety considerations, the only override values permitted in the case of actuators for fire dampers are OPEN and CLOSE. The operating position (OPEN) must also be repeated within 120 seconds. If the override command is not renewed, then the Gateway will move the actuator into safety position ( <i>Relinquish_Default</i> is not writable).	NONE OPEN CLOSE MIN/VMIN MID/VMID MAX/VMAX	NONE
ACT_VALUE_[n]	Analog Input [n*100+0]	Actual position %	0 ...100	-

## BACnet object description

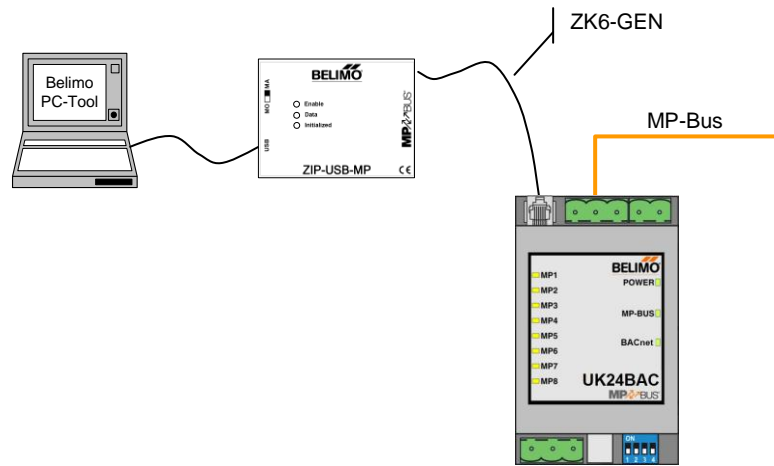
(continued)

Object Name	Object Type / Instance	Description	Values	Default
REL_FLOW_[n]	Analog Input [n*100+1]	Relative volumetric flow in % of Vnom  This value is available only for VAV controllers and EPIV units (see NODE_TYPE). For all other types, 65535 will be entered.	0 ... 100	-
ABS_POS_[n]	Analog Input [n*100+2]	Absolute position/stroke  The unit depends on the node type: [°] or [mm]  If function is not supported by the actuator, a value of 65535 will be entered.	0...65535	-
ABS_FLOW_[n]	Analog Input [n*100+3]	Absolute volumetric flow (or pressure)  The unit depends on the node type: [m3/h] for VAV controllers [Pa] for VAV controller in STP mode [l/min] for EPIV units  This value is available only for VAV controllers and EPIV units (see NODE_TYPE). For all other types, 65535 will be entered.	0...65535	-
SNS_TYPE_[n]	Multi-state Value [n*100+3]	Sensor type connected to the actuator; in the absence of sensor specification, the wiring at the Y input of the MP actuator will have the effect of a local override.  The setting is stored persistently.	NONE ACTIVE PASSIVE 1K PASSIVE 20K SWITCH	NONE
SENSOR_[n]	Analog Input [n*100+4]	Actual sensor value  The value is dependent on the setting in SNS_TYPE. Alternatively, the Binary Input SWITCH may be used for switch contacts.	0...65535	-
SWITCH_[n]	Binary Input [n*100+0]	Actual sensor value for switch contacts  The value is dependent on the setting in SNS_TYPE. Alternatively, the Analog Input SENSOR may be used for switch contacts.	INACTIVE ACTIVE	-
SUM_FAULT_[n]	Binary Value [n*100+0]	Summary fault (e.g. mechanical overload)  The fault can be reset with COMMANDS [Reset] or with the Belimo PC-Tool.	NONE FAULT	-
COMMANDS_[n]	Multi-state Value [n*100+2]	Command  Initiation of actuator functions for maintenance and test; the selected command is transmitted to the actuator, after which the Present-Value will be reset to NONE.	NONE ADAPTION TEST RESET	NONE
MIN_STPT_[n]	Analog Value [n*100+1]	Minimum limit (position or flow) in %  Attention: Changing the limit may result in malfunction of the device.	0 ... 100	-
MAX_STPT_[n]	Analog Value [n*100+2]	Maximum limit (position or flow) in %  Attention: Changing the limit may result in malfunction of the device.	20 ... 100	-

**Connecting the PC-Tool for parameterisation of the MP/MFT(2) actuators**

The MP network can be scanned, actuators can be addressed and actuator-specific parameters (e.g. running time) can be readily adjusted with the Belimo PC-Tool.

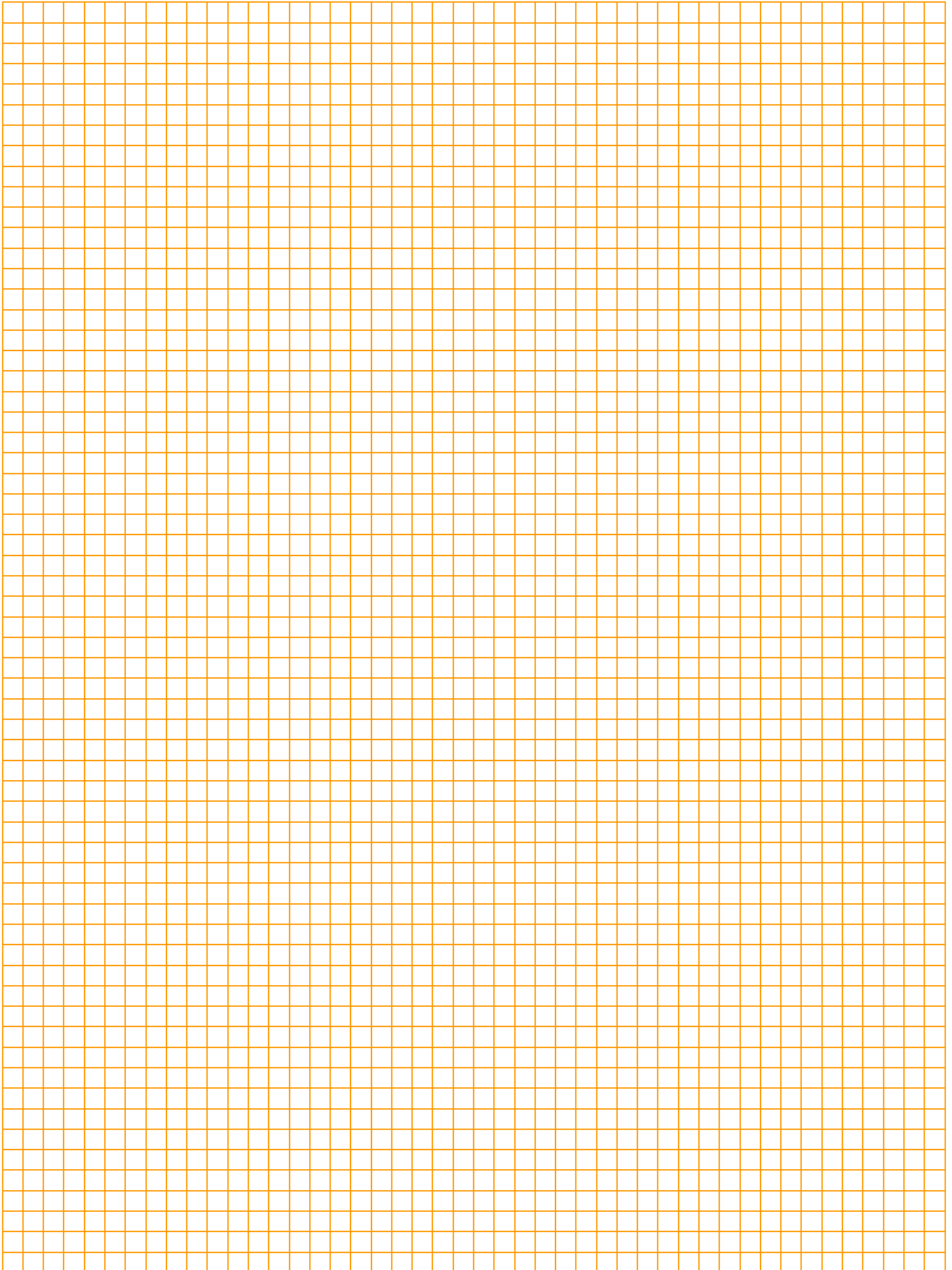
The PC -Tool can be accessed directly on the MP-Bus via the RJ12 socket of the UK24BACMOD. The Gateway recognises the connected PC-Tool automatically and stops communications with the MP drives.

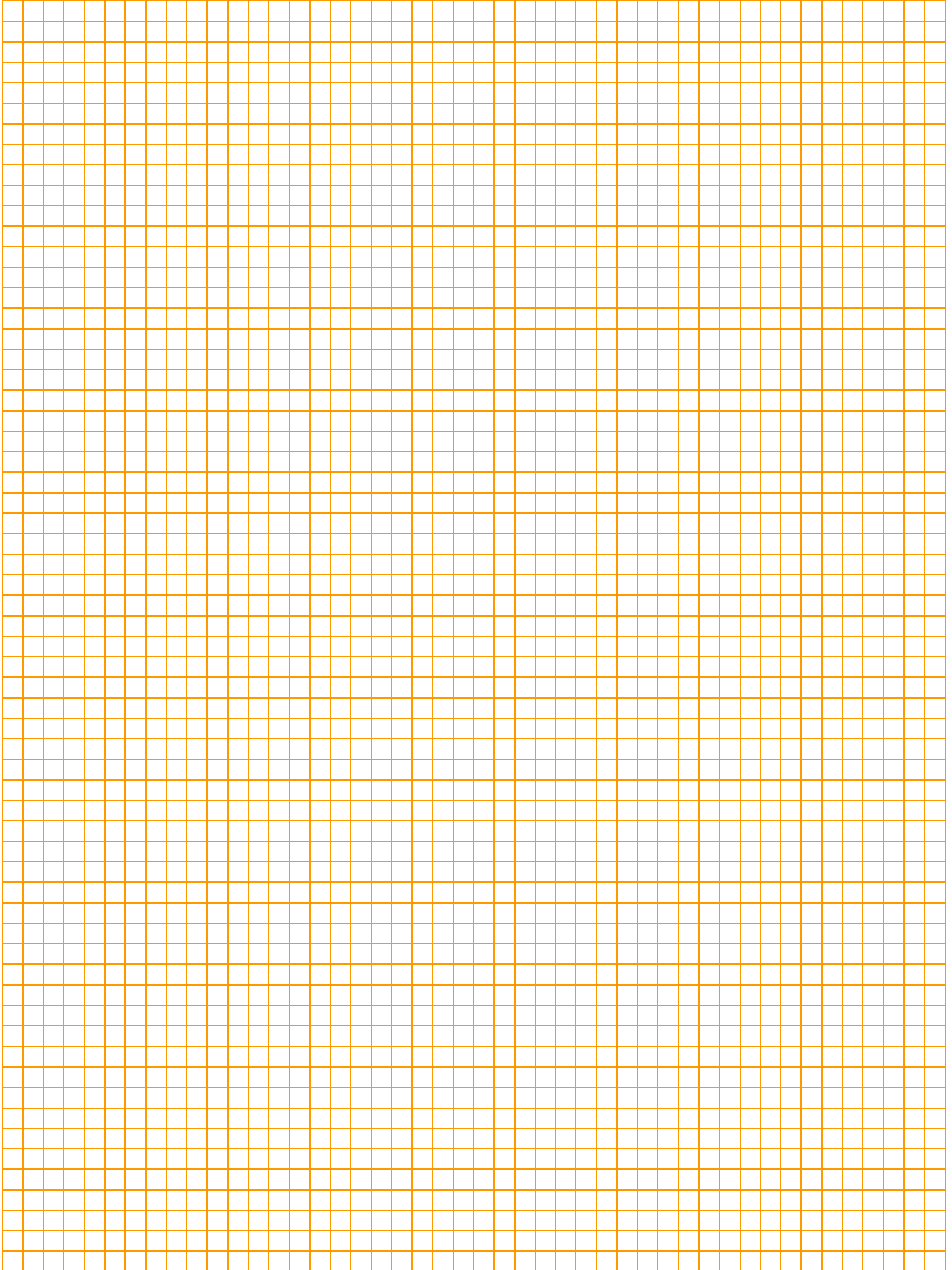


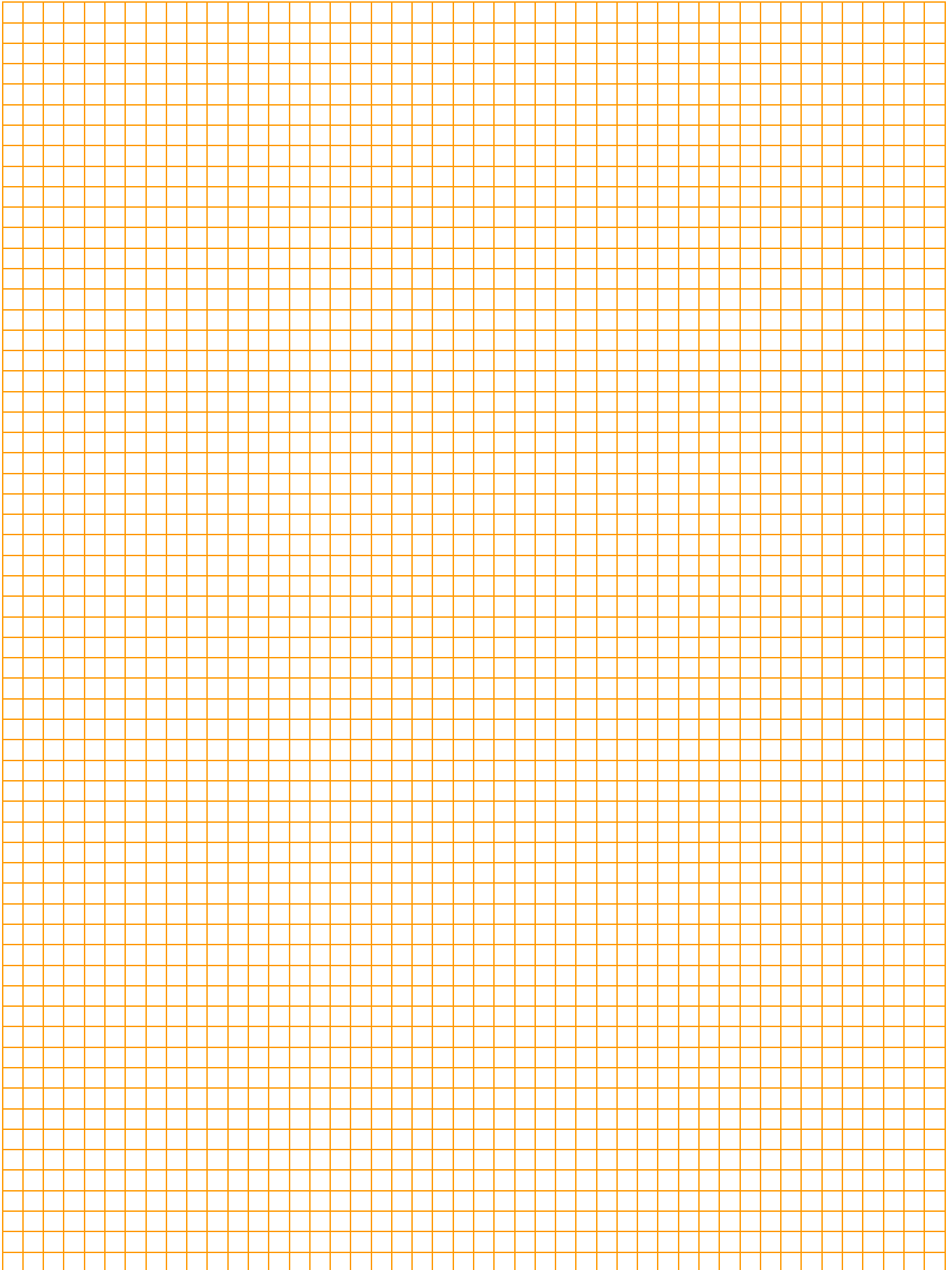
## Version overview

<b>Firmware V1.07</b>	<p>New functions/modifications:</p> <ul style="list-style-type: none"><li>• WritePropertyMultiple service supported</li><li>• Feedback values are rounded</li><li>• Unconfirmed-COV-Notification for Multi-state Value fixed (wrong datatype)</li><li>• PropertyIdentifier for COV_Increment fixed (wrong ID)</li><li>• Sending of malformed packets fixed (in relation with WhoIs requests)</li><li>• Instability on high baudrate (76.8k) resolved</li></ul> <p>Known issues:</p> <ul style="list-style-type: none"><li>• -</li></ul> <hr/>
<b>Firmware V1.06</b>	<p>New functions/modifications:</p> <ul style="list-style-type: none"><li>• Unsolicited-COV-Reporting for volumetric flow added</li><li>• Engineering units (position/volumetric flow/pressure) is updated (if supported by actuator)</li><li>• Instability on high bus load resolved</li></ul> <p>Known issues:</p> <ul style="list-style-type: none"><li>• WritePropertyMultiple service not supported</li></ul> <hr/>
<b>Firmware V1.03</b>	<p>New functions/modifications:</p> <ul style="list-style-type: none"><li>• Property State_Text changed to BACnetARRAY</li><li>• Property Description in SUM_FAULT object with bit field (internal state) completed</li><li>• Unsolicited-COV-Reporting supported (see known issues)</li><li>• Absolute position ABS_POS_[n] calculated</li></ul> <p>Known issues:</p> <ul style="list-style-type: none"><li>• WritePropertyMultiple service not supported</li><li>• Engineering units (position and volumetric flow) not for all actuator types updated</li><li>• Unsolicited-COV-Reporting for volumetric flow not supported</li></ul> <hr/>









# All-inclusive.



5 year warranty



On site around the globe



A complete range of products from one source



Tested quality



Short delivery times



Comprehensive support

## Headquarters

### BELIMO Holding AG

Brunnenbachstrasse 1  
CH-8340 Hinwil  
Tel. +41 (0)43 843 61 11  
Fax +41 (0)43 843 62 68  
info@belimo.ch  
www.belimo.com

## Subsidiaries, Representatives and Agencies

Argentina  
Australia  
Austria  
Bahrain  
Belgium  
Bosnia-Herzegovina  
Brazil  
Bulgaria  
Canada  
Chile  
Croatia  
Cyprus  
Czech Republic

Denmark  
Egypt  
Estonia  
Finland  
France  
Great Britain  
Germany  
Greece  
Hong Kong  
Hungary  
Iceland  
India  
Indonesia  
Ireland  
Israel  
Italy  
Japan  
Jordan  
Kuwait  
Latvia

Lebanon  
Liechtenstein  
Lithuania  
Luxembourg  
Malaysia  
Mexico  
Morocco  
Netherlands  
New Zealand  
Norway  
Oman  
Pakistan  
People's Republic of China  
Philippines  
Poland  
Portugal  
Qatar  
Republic of Korea (South Korea)

Rumania  
Russia  
Saudi Arabia  
Singapore  
Slovakia  
Slovenia  
South Africa  
Spain  
Sweden  
Switzerland  
Taiwan  
Turkey  
Ukraine  
United Arab Emirates  
United States of America

Belimo worldwide: [www.belimo.com](http://www.belimo.com)

**BELIMO**<sup>®</sup>