

ECB-VAV

BACnet B-ASC 12-Point
Programmable VAV Controller



Overview

The ECB-VAV controller is a microprocessor-based programmable variable air volume (VAV) controllers designed to control any variable air volume box. Each controller uses the BACnet[®] MS/TP LAN communication protocol and is BTL[®]-Listed as BACnet Application Specific Controllers (B-ASC).

Features & Benefits

- Internal power supply uses power factor correction (PFC) to optimize power usage when multiple controllers are connected at the same power transformer
- Flexible inputs and outputs support all industry-standard VAV unitary applications
- Rugged hardware inputs and outputs eliminate the need for external protection equipment
- Polarity free, on-board airflow sensor for precise airflow monitoring and control at low and high airflow rates
- Built-in actuator with an integrated position feedback system for worry-free operation
- Factory pre-loaded applications allow for out-of-the-box, energy efficient operation of standard VAV equipment
- Optimized air balancing through *myDC* AirBalancing saving time during the commissioning process
- End-to-end solution for support of Smart Room Control of HVAC equipment, lighting and sunblinds
- Supports *EC-gfx* Program, making Building Automation System programming effortless
- Open-to-Wireless[™] ready, supporting a wide variety of wireless sensors and switches and helping to reduce installation costs
- Supports the Allure[™] Series Communicating Sensors, providing intelligent sensing and environmental zone control

Model Selection

Example: ECB-VAV (SI)

ECB-VAV (IMP) Plenum-rated

Series	Model	Units	Options
ECB-	VAV: 12 points, 18 Vdc power supply output, flow sensor, damper actuator, 4 UI, 4 DO, 2 UO, standard 24VAC/DC power supply	(IMP) : Preloaded Apps in Imperial (US) units (SI) : Preloaded Apps in SI (Metric) units	Plenum-rated: UL2043 plenum-rated (only for North America). UUKL: UL 864, 10 th Edition UUKL and California State Fire Marshal Listed ¹ .

1. The UL 864 UUKL Listed Smoke Control Equipment is used only in Distech Controls' UUKL smoke control system. For detailed specifications, requirements and procedures for installing and operating UUKL Listed equipment refer to the Distech Controls' UUKL Smoke Control documentation.

Accessories

Terminal covers	Terminal cover designed to conceal the controller's wire terminals. Required to meet local safety regulations in certain jurisdictions.
-----------------	---

Recommended Applications

Model	ECB-VAV
Cooling Only VAV Boxes	■
Dual-Duct VAV Systems	■
Cooling with Reheat VAV Boxes	■
Parallel Fan VAV Boxes	■
Series Fan VAV Boxes	■
Room Pressurization	■
Smart Room Control support for HVAC, light, and shades/sunblinds	■

BACnet Objects List

BACnet Objects

- Calendar Objects 1
- Special events per calendar 25
- Schedule Objects 2
- Special events per schedule 5
- PID Loop Objects 8

Commandable Objects

- BV Objects 10
- MSV Objects 10
- AV Objects 25

Non-Commandable Objects

- BV Objects 40
- MSV Objects 40
- AV Objects 75

Product Specifications

Power Supply Input

- Voltage Range¹ 24VAC/DC; ±15%; Class 2
- Frequency Range 50/60Hz
- Overcurrent Protection Field replaceable fuse
- Fuse Type 3.0A
- Power Consumption 4 VA typical plus all external loads², 75 VA max (including powered triac outputs).
- Power Factor >90%

1. 24VDC does not support DO (triac outputs).
2. External loads must include the power consumption of any connected modules such as an Allure Series Communicating Sensor. Refer to the respective module's datasheet for related power consumption information.

Communications

- Communication Bus BACnet MS/TP
- BACnet Profile B-ASC¹
- EOL Resistor Built-in, selectable
- Baud Rates 9600, 19 200, 38 400, or 76 800 bps
- Addressing Dip switch or with an Allure EC-Smart-View Series Communicating Sensor

1. Refer to Distech Controls' Protocol Implementation Conformity Statement for BACnet.

Subnetwork

Communication	RS-485
Cable	Cat 5e, 8 conductor twisted pair
Connector	RJ-45
Connection Topology	Daisy-chain
Maximum number of room devices supported per controller combined	4 ¹
Allure Series sensor	Up to 4
EC-Multi Sensor	Up to 4
ECx-Light-4 / ECx-Light-4D / ECx-Light-4DALI	Up to 2
ECx-Blind-4 / ECx-Blind-4LV / ECx-Blind-4SMI / ECx-Blind-4SMI-LoVo	Up to 2

1. A controller can support a maximum of 2 Allure sensor models equipped with a CO₂ sensor. Any remaining connected sensors must be without a CO₂ sensor.

Hardware

Processor	STM32 (ARM Cortex™ M3) MCU, 32 bit
CPU Speed	68 MHz
Applications Memory	384 kB Non-volatile Flash
Storage Memory	1 MB Non-volatile Flash
Memory (RAM)	64 kB RAM
Real Time Clock (RTC)	Built-in Real Time Clock without battery Network time synchronization is required at each power-up cycle before the RTC become available
Green LEDs	Power status & LAN Tx
Orange LEDs	Controller status & LAN Rx

Wireless Receiver

Communication Protocol	EnOcean wireless standard ¹
Number of Wireless Inputs ²	18
Supported Wireless Receivers	Refer to the Open-to-Wireless Application Guide
Cable	Telephone cord
Connector	4P4C modular jack
Length (maximum)	6.5ft (2m)



1. Available when an optional external Wireless Receiver module is connected to the controller. Refer to the Open-to-Wireless Application Guide for a list of supported EnOcean wireless modules.
2. Some wireless modules may use more than one wireless input from the controller.

Integrated Damper Actuator

Motor	Belimo brushless DC motor
Torque	45 in-lb, 5 Nm
Degrees of Rotation	95° adjustable
Shaft Diameter	5/16 to 3/4"; 8.5 to 18.2mm
Acoustic Noise Level	< 35 dB (A) @ 95° rotation in 95 seconds

Mechanical

Dimensions (H × W × D)	7.90 × 5.51 × 3.70" (200.61 × 139.93 × 94.04 mm)
Dimensions with terminal block covers (H × W × D)	7.90 × 10.84 × 3.70" (200.61 × 275.26 × 94.04 mm)
Shipping Weight (Controller)	1.95lbs (0.89 kg)
Shipping Weight Terminal Cover (one side, bulk packaged)	0.30lbs (0.14 kg)
Enclosure Material ¹	FR/ABS
Enclosure Rating	Plastic housing, UL94-5VB flammability rating Plenum rating per UL1995

1. All materials and manufacturing processes comply with the RoHS directive and are marked according to the Waste Electrical and Electronic Equipment (WEEE) directive

Environmental

Operating Temperature	32°F to 122°F (0°C to 50°C)
Storage Temperature	-4°F to 122°F (-20°C to 50°C)
Relative Humidity	0 to 90% Non-condensing
Nema Rating	1

Standards and Regulation

CE Emission	EN61000-6-3: 2007; A1:2011
CE Immunity	EN61000-6-1: 2007
CE EMC requirements, conditions and test set-up	EN 50491-5-1: 2010
EMC requirements for HBES/BACS	EN 50491-5-2: 2010
FCC	Compliance with FCC rules part 15, subpart B, class B
UL Listed (CDN & US)	UL916 Energy management equipment UL 864, 10 th Edition, UUKL Listed Smoke Control Equipment (ECB-VAV UUKL model only) ¹ UL2043 Suitable for use in air handling spaces (for Plenum-rated models only)

CEC Appliance Database Appliance Efficiency Program²



1. For detailed specifications regarding the ECB-VAV UUKL model, refer to the Distech Controls UUKL Smoke Control Design Guide.
2. California Energy Commission's Appliance Efficiency Program: The manufacturer has certified this product to the California Energy Commission in accordance with California law.

On-Board Air-Flow Sensor

Differential Pressure Range	±2.0 in. W.C. (±500 Pa) Polarity-free high-low sensor connection
Input Resolution	0.00007 in. W.C. (0.0167 Pa)
Air Flow Accuracy	±4.0% @ > 0.05 in. W.C. (12.5 Pa) ±1.5% once calibrated through

air flow balancing @ > 0.05 in.
W.C. (12.5 Pa)

Pressure Sensor Accuracy $\pm(0.2 \text{ Pa} + 3\% \text{ of reading})$

Universal Inputs (UI)

General

Input Type	Universal; software configurable
Input Resolution	16-Bit analog / digital converter
Power Supply Output	18 VDC; maximum 80mA

Contact

Type Dry contact

Counter

Type	Dry contact
Maximum Frequency	1Hz maximum
Minimum Duty Cycle	500ms On / 500ms Off

0 to 10VDC

Range 0 to 10VDC
(40k Ω input impedance)

0 to 5VDC

Range 0 to 5VDC
(high input impedance)

0 to 20mA

Range 0 to 20mA
249 Ω external resistor wired in parallel

Resistance/Thermistor

Range 0 to 350 K Ω

Supported Thermistor Types Any that operate in this range

Pre-configured Temperature Sensor Types:

Thermistor	10K Ω Type 2, 3 (10K Ω @ 77°F; 25°C)
Platinum	Pt1000 (1K Ω @ 32°F; 0°C)
Nickel	RTD Ni1000 (1K Ω @ 32°F; 0°C) RTD Ni1000 (1K Ω @ 69.8°F; 21°C)

Universal Outputs (UO)

General

Output Type	Universal; software configurable
Output Resolution	10-bit digital to analog converter
Output Protection	Built-in snubbing diode to protect against back-EMF, for example when used with a 12VDC relay Output is internally protected against short circuits
Auto-reset fuse	Provides 24VAC over voltage protection

0 or 12VDC (On/Off)

Range 0 or 12VDC

PWM

Range Adjustable period from 2 to 65 seconds

Thermal Actuator Management Adjustable warm up and cool down time

Floating

Minimum Pulse On/Off Time 500 milliseconds
Drive Time Period Adjustable

0 to 10VDC

Range 0 to 10VDC linear
Source Current Maximum 20 mA at 10VDC (minimum load resistance 600 Ω)
Sink Current Maximum 2.5mA at 1 VDC (minimum load resistance 4K Ω)

Digital Outputs (DO)

General

Output Type	24VAC Triac; software configurable
Maximum Current per Output	0.5A continuous 1A @ 15% duty cycle for a 10-minute period
Power Source	External or internal power supply (jumper selectable)

0 or 24VAC (On/Off)

Range 0 or 24VAC

PWM

Range Adjustable period from 2 to 65 seconds

Floating

Minimum Pulse On/Off Time 500 milliseconds
Drive Time Period Adjustable
Power Source Internal power supply

Dimensions

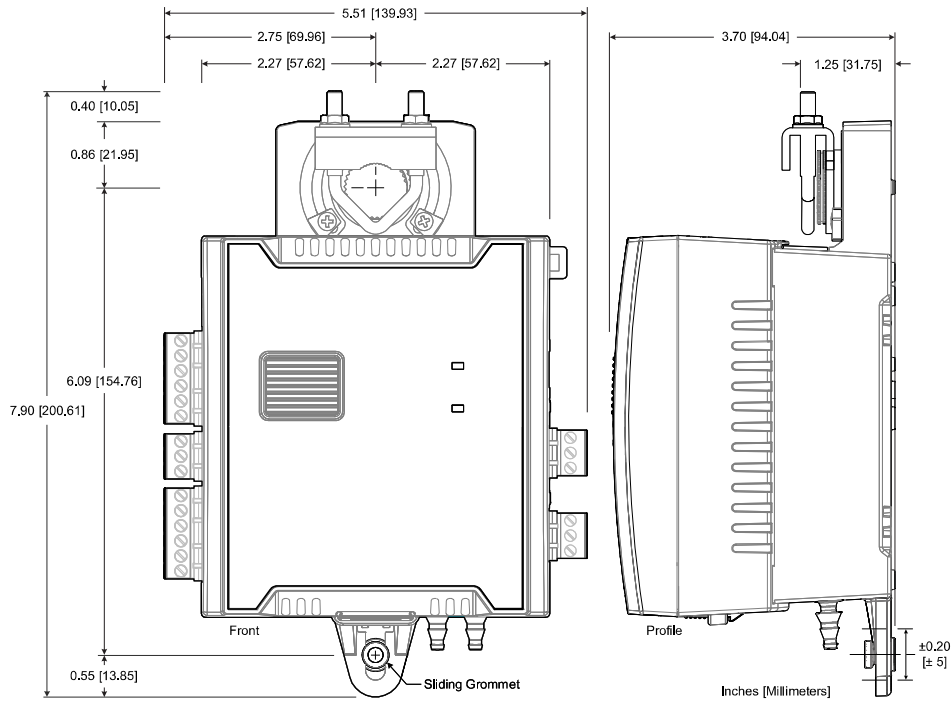


Figure 1: ECB-VAV Controller Dimensions

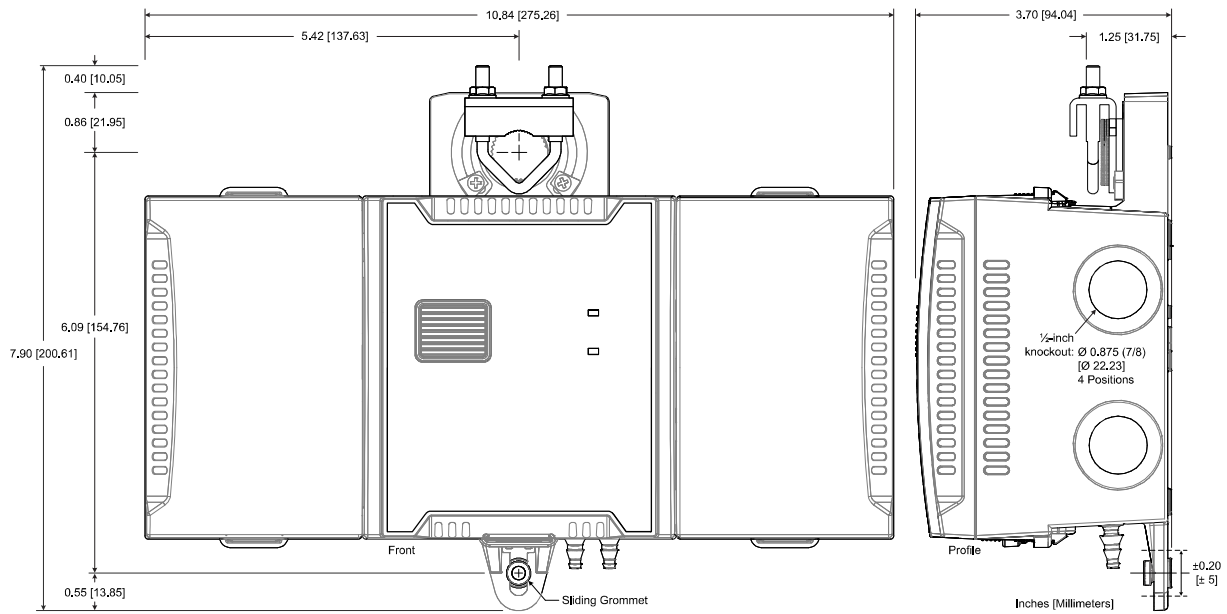


Figure 2: ECB-VAV Controller with Terminal Covers Dimensions

Specifications subject to change without notice.

Distech Controls, the Distech Controls logo, Innovative Solutions for Greener Buildings, EC-Net, ECO-Vue, Allure, and Open-To-Wireless are trademarks of Distech Controls Inc.; Lon-Works, LON, and LNS are registered trademarks of Echelon Corporation; BACnet is a registered trademark of ASHRAE; BTL is a registered trademark of the BACnet Manufacturers Association; Niagara Framework is a registered trademark of Tridium, Inc.; EnOcean is a registered trademark of EnOcean GmbH. All other trademarks are property of their respective owners.

©, Distech Controls Inc., 2017 - 2023. All rights reserved.

Global Head Office - 4205 place de Java, Brossard, QC, Canada, J4Y 0C4 - EU Head Office - ZAC de Sacuny, 558 avenue Marcel Mérieux, 69530 Brignais, France