



# ECx-Display



## Overview

The ECx-Display is a full-color backlit display accessory for the ECB and ECL 203 / 300 / 400 / 600 Series controllers as well as the ECLYPSE™ Connected Controllers.

It allows quick and easy real-time access to view and modify many controller options such as PID loops, schedules and calendars, weather, favorites, alarms, and overrides (refer to controller datasheet for complete compatibility).

Available in black or blue, the ECx-Display is designed for DIN rail mounting, panel mounting, or as a temporary handheld device that can easily be moved from one controller to another.

## Applications

The ECx-Display is suitable for the following applications:

- Panel-mounting capability on electrical cabinet door.
- DIN mounting capability within electrical cabinet.
- Hand-held portable device to view statuses or modify values of compatible controllers.
- Plug and play real-time access.
- Suitable for dusty or splash-prone environments when panel mounted (mechanical rooms).

## Features & Benefits

### Operator Interface

The ECx-Display has full-color backlit display and a jog dial for turn-and-select navigation to access a wide range of internal controller functions:

- View, edit and override values. The status is color coded to show if the value is overridden.
- Display and acknowledge alarms.
- Visually tune PID parameters with system response graphing.
- Device commissioning.
- View and modify schedules, calendars, and events through a graphic interface.
- View the current weather conditions.
- Create a list of favorites to provide quick access to commonly used values.
- Multi-User management for access restrictions.
- Multilingual interface.

### Portable Design

The ECx-Display is portable and designed to act as a temporary handheld device if necessary. Its compact design makes it easy to hold and operate.

## Dust and Splash-Resistance

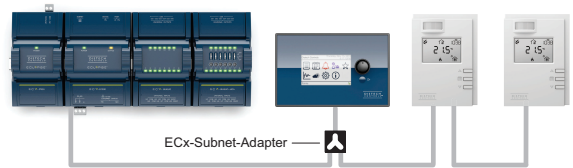
The ECx-Display is rated IP 54 according to the International Electrotechnical Commission (IEC) when mounted on the front of a panel. This provides dust and splash protection, making it ideal for use in mechanical rooms.

## Single Cable Connection

Both power and communications pass through a single Cat 5e cable. This provides reduced installation costs, easier installation or system retrofit.

## ECx-Subnet-Adapter

Use an ECx-Subnet-Adapter to daisy-chain the ECx-Display, ECLYPSE Connected Controllers or compatible ECB/ECL controllers, and compatible subnet devices such as Allure™ Series Communicating Sensors.



## Model Selection

There are two models available to choose from:

ECx-Display (Blue)	Black enclosure with blue LEXAN™ face.
ECx-Display (Black)	Black enclosure with black LEXAN™ face.

### Accessories

ECx-Subnet-Adapter	RJ-45 splitter for ECx-Display daisy chaining
--------------------	---

## Product Specifications

### Power Supply Input

Power Source \_\_\_\_\_ Subnet

Power Consumption \_\_\_\_\_ 1.5W

### Communications

Rate \_\_\_\_\_ 38 400 bps

Communications \_\_\_\_\_ RS-485

Wiring \_\_\_\_\_ Cable length (if only device on the subnet): 6.5 ft (2 m) maximum

Cable Type \_\_\_\_\_ T568B Cat 5e network cable, 4 twisted pairs

Connector \_\_\_\_\_ 1 × RJ-45 Subnetwork port

Topology \_\_\_\_\_ Daisy-chain with ECx-Subnet-Adaptor (sold separately)

### LCD Characteristics

Display Type \_\_\_\_\_ Backlit-color LCD

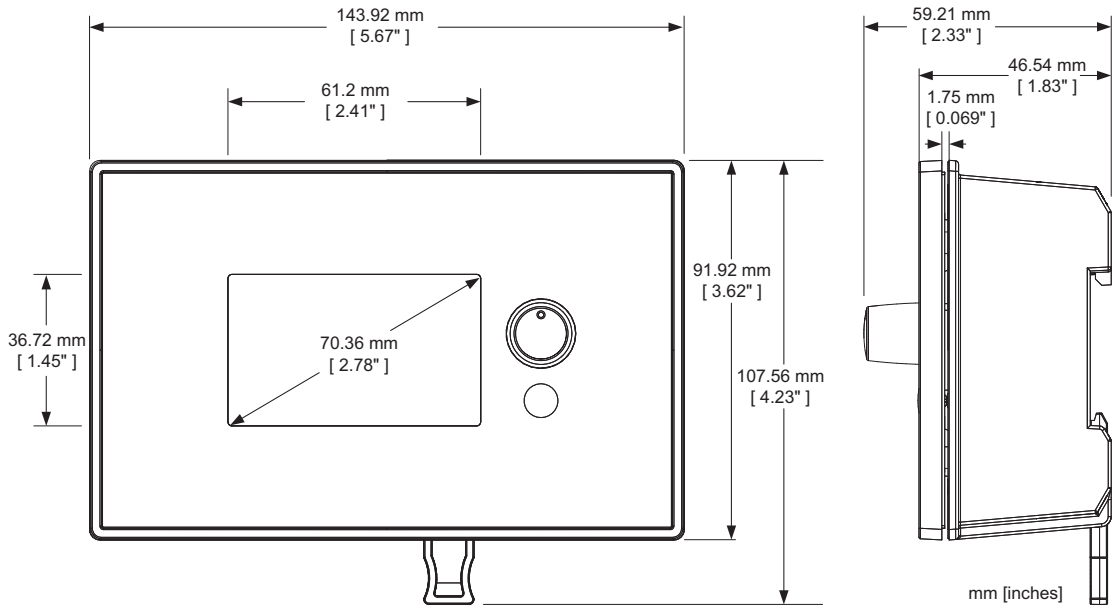
Display Resolution \_\_\_\_\_ 400 W x 240 H pixels (WQVGA)

Effective Viewing Area (W × H) \_\_\_\_\_ 2.4 × 1.4" (61.2 × 36.7mm)  
2.8" (71mm) diagonal

Menu Navigation \_\_\_\_\_ Jog dial turn, select navigation with Exit button

### Mechanical

Dimensions (H × W × D) \_\_\_\_\_ 4.23 × 5.67 × 2.33" (107.6 × 143.9 × 59.2)



Shipping Weight \_\_\_\_\_ 0.6lbs (0.27 kg)

Enclosure Material<sup>1</sup> \_\_\_\_\_ FR/ABS

Enclosure Rating \_\_\_\_\_ Plastic housing, UL94-V0  
Plenum rating per UL1995

Ingress Protection Rating \_\_\_\_\_ IP54 (when panel mounted)

Color \_\_\_\_\_ Blue or black face plate & black casing

Installation \_\_\_\_\_ Direct DIN-rail mounting or panel mounting (template provided)

1. All materials and manufacturing processes comply with the RoHS directive and are marked according to the Waste Electrical and Electronic Equipment (WEEE) directive

## Environmental

Operating Temperature \_\_\_\_\_ 32°F to 122°F (0°C to 50°C)

Storage Temperature \_\_\_\_\_ -4°F to 122°F (-20°C to 50°C)

Relative Humidity \_\_\_\_\_ 0 to 90% Non-condensing

## Standards and Regulations

CE:

- Emission \_\_\_\_\_ EN61000-6-3: 2007; A1:2011; Generic standards for residential, commercial and light-industrial environments
- Immunity \_\_\_\_\_ EN61000-6-1: 2007; Generic standards for residential, commercial and light-industrial environments

FCC \_\_\_\_\_ This device complies with FCC rules part 15, subpart B, class B

UL Listed (CDN & US) \_\_\_\_\_ UL916 Energy management equipment

CEC Appliance Database \_\_\_\_\_ Appliance Efficiency Program<sup>1</sup>

1. California Energy Commission's Appliance Efficiency Program: The manufacturer has certified this product to the California Energy Commission in accordance with California law.



Specifications subject to change without notice.

ECLYPSE, Distech Controls, the Distech Controls logo, Innovative Solutions for Greener Buildings, and Allure are trademarks of Distech Controls Inc. BACnet is a registered trademark of ASHRAE. LonWorks is a registered trademark of Echelon Corporation. All other trademarks are property of their respective owner.

©, Distech Controls Inc., 2016. All rights reserved.

