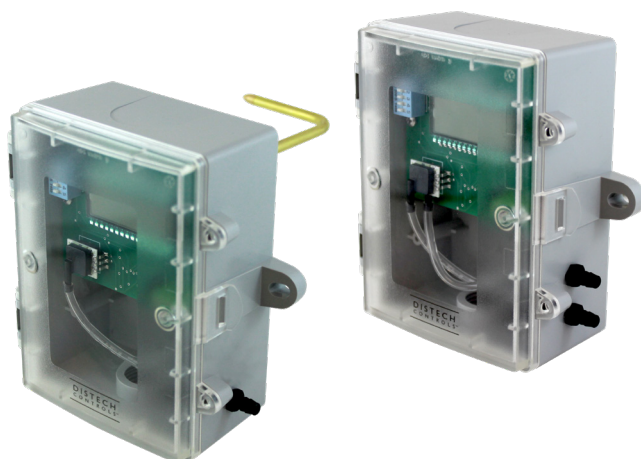




□ □ □ PS-2ADP Series

Low Air Differential Pressure Transmitters, Nema 4X



Overview

This series of low-pressure transmitters can be used to measure positive, negative or differential pressure in ranges from 1" W.C. to 20" W.C. (250 to 2000 Pa). The piezoresistive sensor is ideal for monitoring the pressure of air or other clean inert gases and is limited only to those media which will not attack polyetherimide, silicon, fluorosilicone, silicone, EPDM, and neoprene seals.

Applications

- Used for monitoring filters.
- Used for measuring duct static pressure.
- Used for measuring velocity pressure.

Features & Benefits

- Economical
- Accurate pressure monitoring for increased comfort
- Nema 4X Polycarbonate enclosure
- Field selectable pressure ranges and output signals
- Can be ordered with ranges in W.C. or Pascals
- LCD Display

Model Selection

PS-2ADP04WCDX	Low air differential pressure transmitter - jumper selectable, 1% accurate, Nema 4X. Pressure ranges of +/-1", +/-2", +/-4", 0-1", 0-2", 0-4" W.C. LCD.
PS-2ADP08WCDX	Low air differential pressure transmitter - jumper selectable, 1% accurate, Nema 4X. Pressure ranges of +/-3", +/-5", +/-8", 0-3", 0-5", 0-8" W.C. LCD.
PS-2ADP12WCDX	Low air differential pressure transmitter - jumper selectable, 1% accurate, Nema 4X. Pressure ranges of +/-6", +/-10", +/-12", 0-6", 0-10", 0-12" W.C. LCD.
PS-2ADP20WCDX	Low air differential pressure transmitter - jumper selectable, 1% accurate, Nema 4X. Pressure ranges of +/-10", +/-15", +/-20", 0-10", 0-15", 0-20" W.C. LCD.
PS-2ADP01KPDX	Low air differential pressure transmitter - jumper selectable, 1% accurate, Nema 4X. Pressure ranges of +/-0.25, +/-0.5, +/-1, 0-0.25, 0-0.5, 0-1 kPa. LCD.
PS-2ADP02KPDX	Low air differential pressure transmitter - jumper selectable, 1% accurate, Nema 4X. Pressure ranges of +/-0.5, +/-1, +/-2, 0-0.5, 0-1, 0-2 kPa. LCD.
PS-2ADP04WCDP	Low air differential pressure transmitter - jumper selectable, 1% accurate, Nema 4X. Pressure ranges of +/-1", +/-2", +/-4", 0-1", 0-2", 0-4" W.C. LCD and mounted static pressure probe.
PS-2ADP08WCDP	Low air differential pressure transmitter - jumper selectable, 1% accurate, Nema 4X. Pressure ranges of +/-3", +/-5", +/-8", 0-3", 0-5", 0-8" W.C. LCD and mounted static pressure probe.
PS-2ADP12WCDP	Low air differential pressure transmitter - jumper selectable, 1% accurate, Nema 4X. Pressure ranges of +/-6", +/-10", +/-12", 0-6", 0-10", 0-12" W.C. LCD and mounted static pressure probe.
PS-2ADP20WCDP	Low air differential pressure transmitter - jumper selectable, 1% accurate, Nema 4X. Pressure ranges of +/-10", +/-15", +/-20", 0-10", 0-15", 0-20" W.C. LCD and mounted static pressure probe.
PS-2ADP01KPDP	Low air differential pressure transmitter - jumper selectable, 1% accurate, Nema 4X. Pressure ranges of +/-0.25, +/-0.5, +/-1, 0-0.25, 0-0.5, 0-1 kPa. LCD and mounted static pressure probe.
PS-2ADP02KPDP	Low air differential pressure transmitter - jumper selectable, 1% accurate, Nema 4X. Pressure ranges of +/-0.5, +/-1, +/-2, 0-0.5, 0-1, 0-2 kPa. LCD and mounted static pressure probe.

Accessories

Pitot Tubes for Flow

PS-PF006XXXX	150 mm (6") stainless pitot tube for flow installations
PS-PF012T072	305 mm (12") stainless pitot tube for flow installations
PS-PF006T072	Two (2) 150 mm (6") stainless pitot tubes for flow installations with 1800 mm (6') pneumatic tubing
PS-PF012T072	Two (2) 305 mm (12") stainless pitot tubes for flow installations with 1800 mm (6') pneumatic tubing

Pitot Tubes for Static Pressure

PS-PS006XXXX	150 mm (6") stainless pitot tube for static installations
PS-PS012XXXX	305 mm (12") stainless pitot tube for static installations
PS-PS006T036	One (1) 150 mm (6") stainless pitot tube for static installations with 900 mm (3') pneumatic tubing
PS-PS012T036	One (1) 305 mm (12") stainless pitot tube for static installations with 900 mm (3') pneumatic tubing

PS-PAFS Series

Pick-Up Ports

PS-RPSP	Space enclosure pick-up port
PS-RMPP	Stainless steel plate pick-up port
PS-OPSP	Outside air pick-up port

Calibration Certificates

PS-NIST	NIST Calibration Certificate
---------	------------------------------

Note: Calibration certificates must be purchased at the time of product purchase.

Product Specifications

Environmental

Operating Temperature	0°C to 70°C; 32°F to 158°F
Compensated range	0 - 50°C (32 - 122°F)
Storage Temperature	0°C to 70°C; 32°F to 158°F
Relative Humidity	10 to 90% Non-condensing

Enclosure

Material	Grey, Polycarbonate, UL94-V0, IP65 (NEMA 4X)
Dimensions (overall)	116.5 mm x 112.5 mm x 53.7 mm (4.585" x 4.02" x 2.115")
Pressure Connections	Barbed ports for 0.17" (5 mm) ID flexible tubes
Wiring Connections	Screw terminal block (14 to 22 AWG / 2.08 mm ² to 0.326 mm ²)
Electrical Conduit Connection	1/2" NPT knockout for conduit connections and M16 adapter and cable gland in Europe
Media Compatibility	Non-corrosive, non-ionic fluids such as clean dry air or inert gases
Display	3 1/2 digit LCD, 0.4" digit height

Electrical

Input Power	20 to 28Vac/Vdc (non isolated half wave rectified)
Supply Current	4mA for voltage output 20 mA max for current output
Output	4-20mA (2 wire), 0-5Vdc and 0-10Vdc (3 wire switch selectable)
Accuracy	±1% F.S.O.
Long Term Stability	< ± 1% F.S.O. per year
Thermal Effects	< ± 3% over compensated range
Input Voltage Effects	Negligible over specified operating range
Output Drive Capability	Current: 400 ohms max @ 24Vdc Voltage: 10K ohms min
Protection Circuitry	Reverse voltage protected and output limited
Response Time	250ms
Zero Adjust	Push button auto-zero

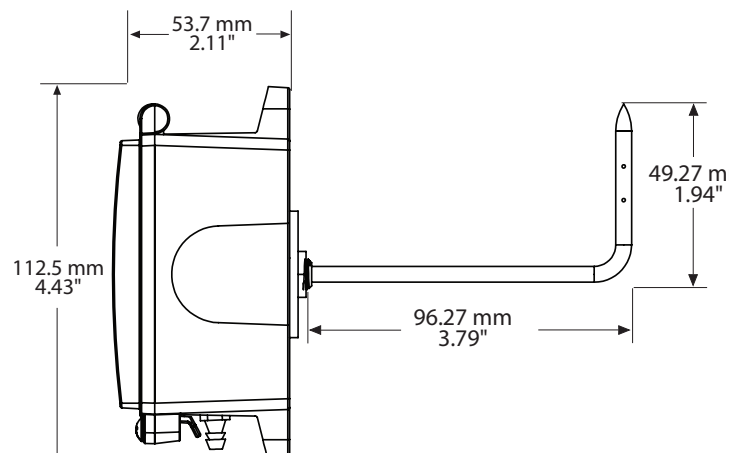
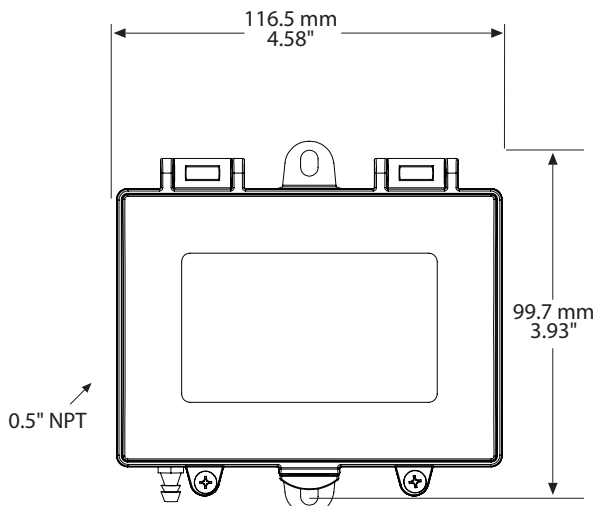
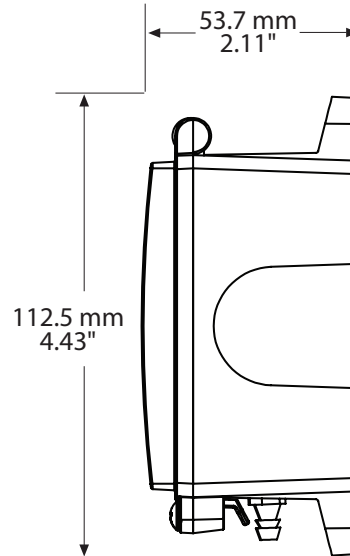
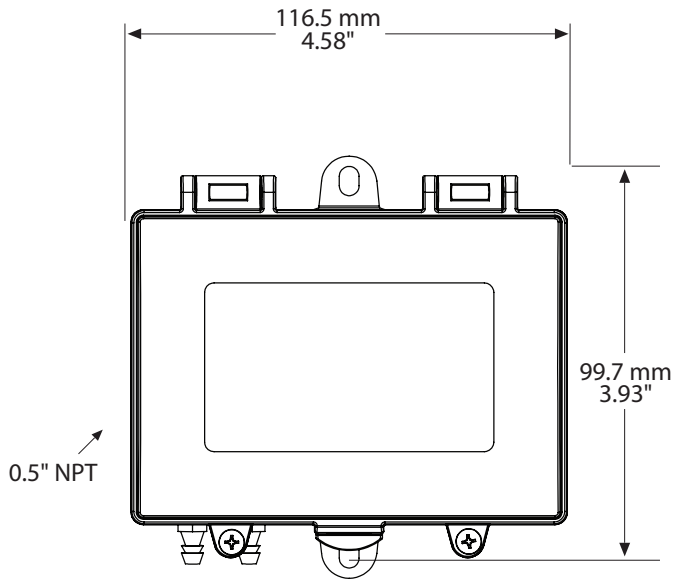
Pressure Ranges

Measurement Type	Differential (two port), static, velocity, & total pressure
Proof Pressure	40" W.C. (100" for 10" and 20" range models)
Burst Pressure	60" W.C. (200" for 10" and 20" range models)

Agency Approvals

Material	UL94-V0
Country of Origin	Canada

Dimensions



Specifications subject to change without notice.
Distech Controls, and the Distech Controls logo are trademarks of Distech Controls Inc. All other trademarks are property of their respective owner.
©, Distech Controls Inc., 2019. All rights reserved.