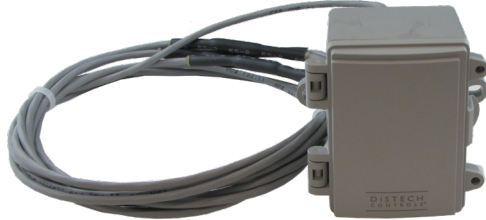




TS-AP2X Sensor Series

Flexible Duct Averaging Temperature Sensors, Nema 4X



Overview

This series of flexible duct averaging temperature sensors provides precision temperature sensing of mixed-air ducts. It incorporates numerous sensors on an FT6 plenum-rated cable. It acts as a single sensor, averaging any temperature change across the sensors.

Applications

- Used for measuring temperature on supply and return air ducts
- Incorporated in chillers to monitor temperature gradients

Features & Benefits

- Economical
- Ease of installation
- Wide selection of thermistor curves
- Proven long stability and performance
- Adaptable to most duct sizes
- Multiple lengths available

Accessories

Rubber Tube Clamps

TS-C00025	Rubber tube clamp for duct averaging temperature sensor 1/4" (6.35mm)
TS-C0003125	Rubber tube clamp for duct averaging temperature sensor 5/16" (8mm)
TS-C000375	Rubber tube clamp for duct averaging temperature sensor 3/8" (9.5mm)

Model Selection

	TS-	AP	2X	072
Mounting Style	AP = Duct averaging, plenum cable probe			
Enclosure	2X = Plastic enclosure, Nema 4X			
Probe Length	072 = 72" (1.83M)			
	144 = 144" (3.66M)			
	240 = 240" (6M)			
	288 = 288" (7.3M)			

Product Specifications

Environmental

Operating temperature _____ -20°C to 60°C; -4°F to 140°F
Storage temperature _____ -20°C to 60°C; -4°F to 140°F
Ambient humidity _____ 0 to 95% Non-condensing

Enclosure

Material _____ Grey ABS; Type: UL94-V0; IP65 (NEMA 4X)
Shipping weight _____ 0.60 lbs (0.2727 kg)

Electrical

Dissipation Factor _____ 2.2mW/K (Thermistor)
Max Power @ 25°C (77°F) _____ 75mW (Thermistor)
Thermal Time Constant _____ Less than 10s (Thermistor)

Temperature Sensor

Type¹ _____ 10kΩ NTC thermistor, Type 2
Accuracy _____ ±0.2°C; ±0.36°F

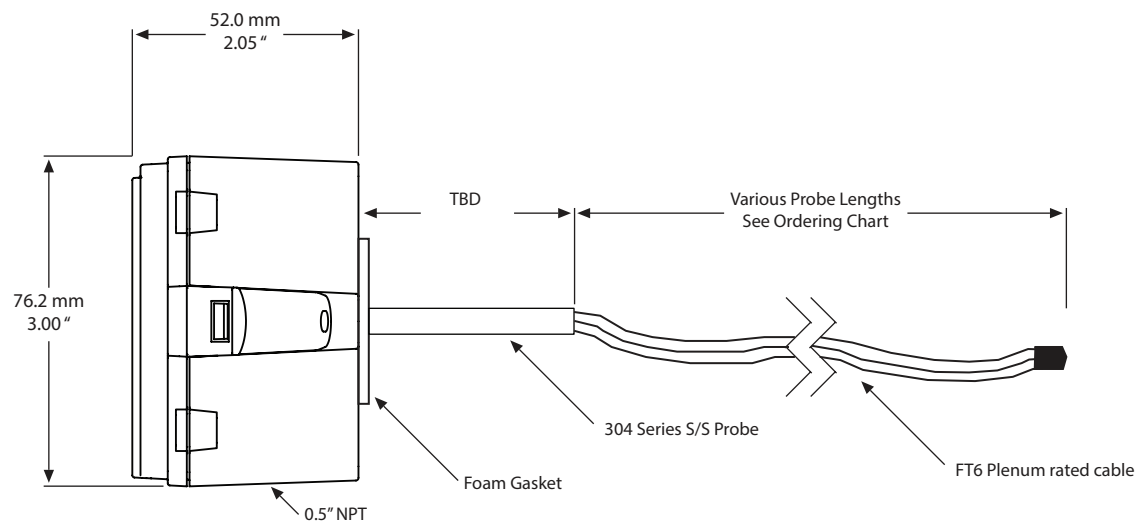
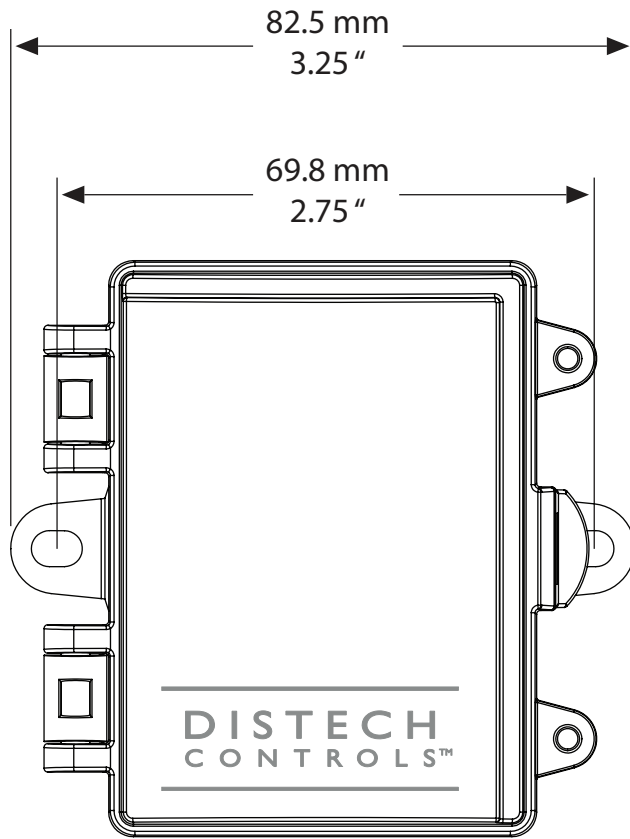
Agency Approvals

Material² _____ UL94-V0



1. Temperature sensor type stated is standard. Other temperature sensor types are available.
2. All materials and manufacturing processes comply with the RoHS directive

Dimensions



Specifications subject to change without notice.
Distech Controls, and the Distech Controls logo are trademarks of Distech Controls Inc. All other trademarks are property of their respective owner.
©, Distech Controls Inc., 2018. All rights reserved.