



# TS-BT

Button Temperature Sensor



## Overview

The TS-BT is a flush-mount, button style wall sensor that provides precision room temperature sensing for building automation systems. This design is intended for interior use only and is bonded to a plastic paintable housing.

## Applications

- Decreases footprint of room temperature sensor
- Match the decor (paintable)
- Flexibility in location selection

## Features & Benefits

- Quick installation
- Decreases footprint of room temperature sensor
- Match the decor (paintable)
- Flexibility in location selection

## Model Selection

TS-BTZ	Button Temperature Sensor, 10k type 2, Zip wire, 5ft (60 inches)
TS-BTP	Button Temperature Sensor, 10k type 2, Plenum FT6 wire, 10ft (120 inches)

# Product Specifications

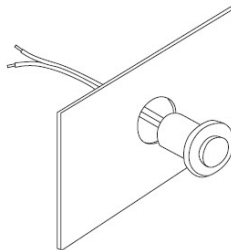
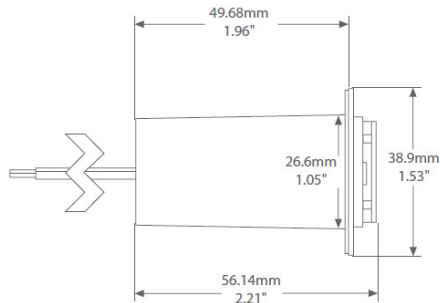
Sensor Type	Various Thermistor or RTD
Sensor Accuracy	<b>10K2 Thermistors:</b> $\pm 0.2^{\circ}\text{C}$ ( $\pm 0.36^{\circ}\text{F}$ ) @ $25^{\circ}\text{C}$ ( $77^{\circ}\text{F}$ )
Temperature Sensing Range	-40 to $60^{\circ}\text{C}$ (-40 to $140^{\circ}\text{F}$ )
Wire Material	<b>TS-BTZ:</b> PVC insulated, parallel bonded, 22 AWG (FT-4 for 100 $\Omega$ Platinum) <b>TS-BTP:</b> Plenum rated FT-6
Wire Length	<b>TS-BTZ:</b> 1.05m (5') <b>TS-BTP:</b> 3m (10')
Enclosure	White plastic, paintable, interior use only, IP30 (NEMA 1)
Termination	Pre-stripped pigtailed

## Norms and Standards

Approvals	CE-Conformity
Country of Origin	Canada



## Dimensions



Specifications subject to change without notice.  
ECLYPSE, Distech Controls, and the Distech Controls logo are trademarks of Distech Controls Inc. All other trademarks are property of their respective owner.  
©, Distech Controls Inc., 2020. All rights reserved.