



# TS-RMP Sensor Series

Stainless Steel Plate Temperature Sensors



## Overview

The TS-RMP Series is a single gang, blank stainless steel wall plate that incorporates a precision temperature sensor used to monitor room temperatures where additional security is required. These sensors can be flush mounted directly to a single gang electrical box or directly to a wall. Insulating foam is adhered to the back of the wall plate to provide a thermal barrier from internal wall temperatures.

## Applications

- ❑ Used for measuring temperature of rooms
- ❑ Used in areas that are subject to damage or vandalism

## Features & Benefits

- ❑ Economical
- ❑ Sensors are hermetically sealed
- ❑ Proven long stability and performance
- ❑ Wall plate made of corrosion resistant 304 stainless steel
- ❑ Accurate temperature monitoring for increased comfort

## Model Selection

TS-RMPX	Stainless steel plate temperature sensor
TS-RMPS	Stainless steel plate temperature sensor with tamper proof screws

# Product Specifications

## Environmental

Operating Temperature	-20°C to 50°C; -4°F to 122°F
Storage Temperature	-20°C to 50°C; -4°F to 122°F
Relative Humidity	0 to 95% Non-condensing

## Plate

Material <sup>1</sup>	304 Stainless Steel
Color	Silver
Dimensions (overall)	4.5" x 2.75" x 0.1875"
Tamper-proof Screws	18-8 SS, Tamper-Resist, Flat Head, Machine Screw, Drilled Spanner, 6-32 Thread, 1" Length (AS Only)
Shipping Weight	0.15 lbs (0.068 kg)

## Electrical

Dissipation Factor	2.2 mW/K
Max Power @ 25°C (77°F)	75 mW
Thermal Time Constant	Less than 10s

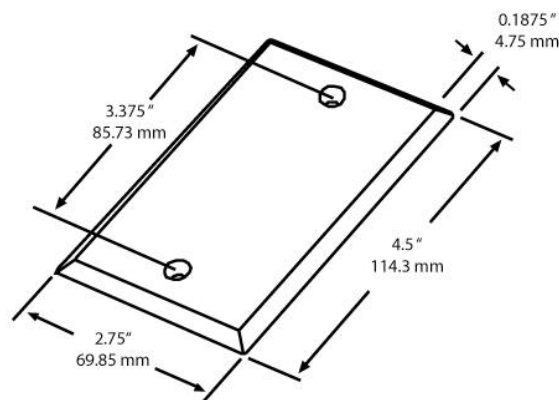
## Temperature Sensor

Type <sup>2</sup>	10k $\Omega$ , type 2, NTC thermistor
Accuracy	$\pm 0.2^\circ\text{C}$ ; $\pm 0.36^\circ\text{F}$

1. All materials and manufacturing processes comply with the RoHS directive.

2. Temperature sensor type stated is standard. Other temperature sensor types are available.

## Dimensions



Specifications subject to change without notice.  
Distech Controls, and the Distech Controls logo are trademarks of Distech Controls Inc. All other trademarks are property of their respective owner.  
©, Distech Controls Inc., 2015. All rights reserved.