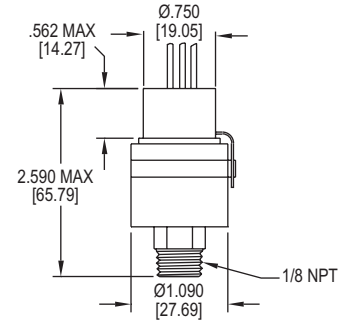


# ADJUSTABLE PRESSURE SWITCH

## Vacuum and Pressure Ranges, 5 A Switch, Compact Size



Single Pressure Switches

Miniature **Series APS/AVS Adjustable Pressure Switch** offers reliable switching for pressure/vacuum alarm, shutdown or control. The units are readily adjustable throughout their range using the locking adjusting ring and indicating pointer. The body is constructed of stainless steel for durability in harsh environments. Switches include 12" (30 cm) wire leads sealed with epoxy for additional protection.

**FEATURES/BENEFITS**

- Field adjustable with simple indicating pointer reduces installation time bring application on-line faster
- Stainless steel construction provides a durable solution in harsh environments

**APPLICATIONS**

- OEM
- Process equipment
- Compressors
- Motor control
- Pump control

**SPECIFICATIONS**

**Service:** Compatible liquids or gases.  
**Wetted Materials:** Capsule: 17-7 PH SS; Fitting: 303 SS.  
**Temperature Limits:** -65 to 225°F (-54 to 107°C), a set point change of up to 2% when used below -10°F (-23°C) or above 125°F (52°C).  
**Pressure/Vacuum Limits:** 150% of range.  
**Switch Type:** SPDT snap action.  
**Electrical Ratings:** 5 A @ 250 VAC, 3 A @ 28 VDC.

**Electrical Connections:** 3-wire, 20 AWG insulated with PVC, 12" (30 cm) length.  
**Process Connection:** 1/8" male NPT.  
**Set Point:** Field adjustable.  
**Cycling:** Not to exceed 20 CPM.  
**Sensor Element:** Capsule.  
**Weight:** 3 oz (85 g).  
**Agency Approvals:** UR.

**MODEL CHART**

Model	Set Point Range psi (bar)		Repeatability psi (bar)	Deadband psi (bar)	Model	Set Point Range Hg (cm Hg) VAC		Repeatability Hg (cm Hg)
	Decreasing	Increasing				Decreasing	Increasing	
<b>APS-150</b>	0.8 to 28.5 (.06 to 2.0)	1.6 to 30.0 (.11 to 2.1)	±0.6 (.04)	0.8 to 1.3 (.06 to .09)	<b>AVS-150</b>	1.6 to 27.1 (4.1 to 68.6)	2.7 to 28.2 (6.9 to 71.6)	±1.2 (3.1)
<b>APS-250</b>	2.0 to 48.0 (.14 to 3.3)	3.0 to 50.0 (.21 to 3.5)	±1.0 (0.7)	1 to 1.7 (.07 to .12)	<b>AVS-250</b>	4.0 to 24.8 (10.2 to 63.0)	5.1 to 28.2 (13.0 to 71.6)	±2.0 (5.1)
<b>APS-350</b>	3.0 to 96.5 (.21 to 6.7)	4.5 to 100 (.31 to 6.9)	±2.0 (.14)	1.6 to 4 (.11 to .28)	<b>AVS-350</b>	6.0 to 21.5 (15.2 to 54.6)	8.4 to 28.2 (21.3 to 71.6)	±4.0 (10.2)
<b>APS-450</b>	7.5 to 242 (.52 to 16.7)	9.7 to 250 (.67 to 17.2)	±5.0 (.35)	2.5 to 9 (.17 to .62)				
<b>APS-550</b>	15.0 to 485 (1.0 to 33.4)	20.0 to 500 (1.4 to 34.5)	±10.0 (.69)	5 to 22 (.35 to 1.5)				