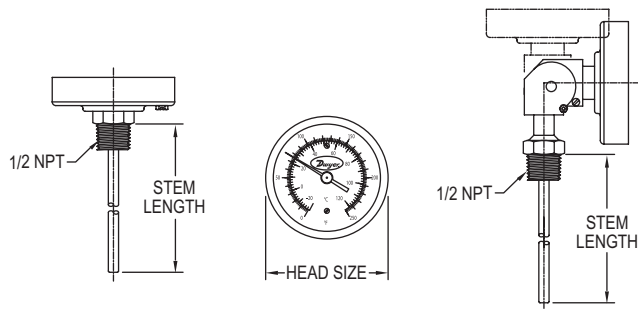


Dwyer
SERIES BT

BIMETAL THERMOMETER

2", 3" or 5" Dial, Dual Scale, $\pm 1\%$ FS Accuracy, External Reset



Back connection

Adjustable angle connection

The **Series BT Bimetal Thermometer** offers accurate, reliable service even in the toughest environments. These corrosion resistant units are constructed from stainless steel and are hermetically sealed to prevent crystal fogging.

FEATURES/BENEFITS

- Hermetically sealed
- Adjustable dial position models

APPLICATIONS

- Chiller or boiler water temperature monitoring
- Treatment plant temperature monitoring

SPECIFICATIONS

Wetted Materials: 304 SS.

Housing Material: Series 300 SS.

Lens: Glass.

Accuracy: $\pm 1\%$ FS.

Response Time: ≤ 40 s.

Temperature Limits: Head: 200°F (93°C); Stem: Not to exceed 50% over-range or 1000°F (538°C) or 800°F (427°C) continuously.

Process Connection: 1/4" NPT on 2" dial size; 1/2" NPT on 3" or 5" dial size.

Stem Diameter: 1/4" OD.

Immersion Depth: Minimum 2" in liquids, 4" in gas.

MODEL CHART

Model	Dial Size	Stem Length	Connection	Range °F (°C)	Degree Div °F (°C)	Model	Dial Size	Stem Length	Connection	Range °F (°C)	Degree Div °F (°C)
BTB22551*	2"	2-1/2"	Back	0 to 250	2	BTB3605D	3"	6"	Back	0 to 250 (-20 to 120)	2 (2)
BTB2405D	2"	4"	Back	0 to 250 (-20 to 120)	2 (2)	BTA54010D	5"	4"	Adjustable	0 to 200 (-20 to 100)	2 (2)
BTB2409D	2"	4"	Back	200 to 1000 (100 to 550)	10 (5)	BTA5405D	5"	4"	Adjustable	0 to 250 (-20 to 120)	2 (2)
BTB32510D	3"	2-1/2"	Back	0 to 200 (-20 to 100)	2 (2)	BTA5407D	5"	4"	Adjustable	50 to 550 (10 to 290)	5 (5)
BTB3255D	3"	2-1/2"	Back	0 to 250 (-20 to 120)	2 (2)	BTA56010D	5"	6"	Adjustable	0 to 200 (-20 to 100)	2 (2)
BTB3257D	3"	2-1/2"	Back	50 to 550 (10 to 290)	5 (5)	BTA5605D	5"	6"	Adjustable	0 to 250 (-20 to 120)	2 (2)
BTB34010D	3"	4"	Back	0 to 200 (-20 to 100)	2 (2)	BTA5607D	5"	6"	Adjustable	50 to 550 (10 to 290)	5 (5)
BTB3405D	3"	4"	Back	0 to 250 (-20 to 120)	2 (2)	BTC3255D	3"	2-1/2"	Lower	0 to 250 (-20 to 120)	2 (2)
BTB3407D	3"	4"	Back	50 to 550 (10 to 290)	5 (5)						

*Model offered in Fahrenheit scale only.