

35-381-2 O2 PROBE MOUNTING FLANGE for Use With NXCESO2 and FXCESO2 OXYGEN PROBES

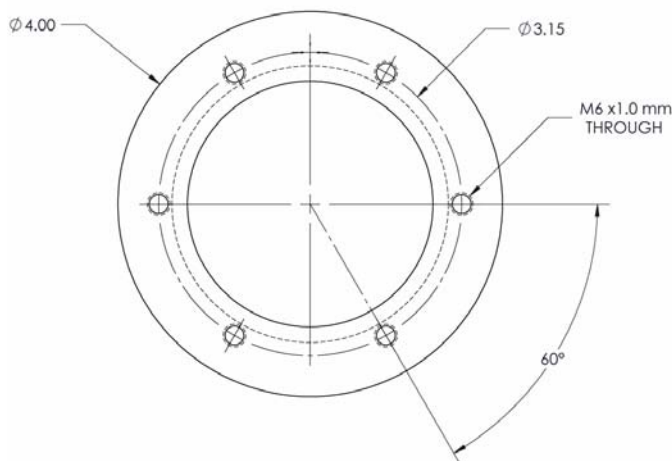
Description

The 35-381-2 O2 mounting flange kit includes the flange and screws. The flange material is mild steel. The O2 flange cover, p/n 129-189, is also available but must be ordered separately.

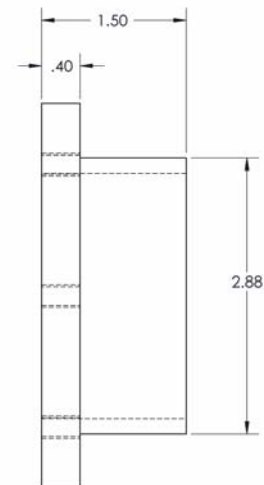
Mounting Flange Dimensions

The probe must be mounted in a manner that ensures that the flue gases pass into the gas tube at its open end and out of the tube at the flange end. Furthermore, if possible, the flange should be vertical with the gas tube angled downwards to ensure that particulates do not build up within the sample tube. It's highly recommended that the flange should be welded to the inside wall of a double-walled flue.

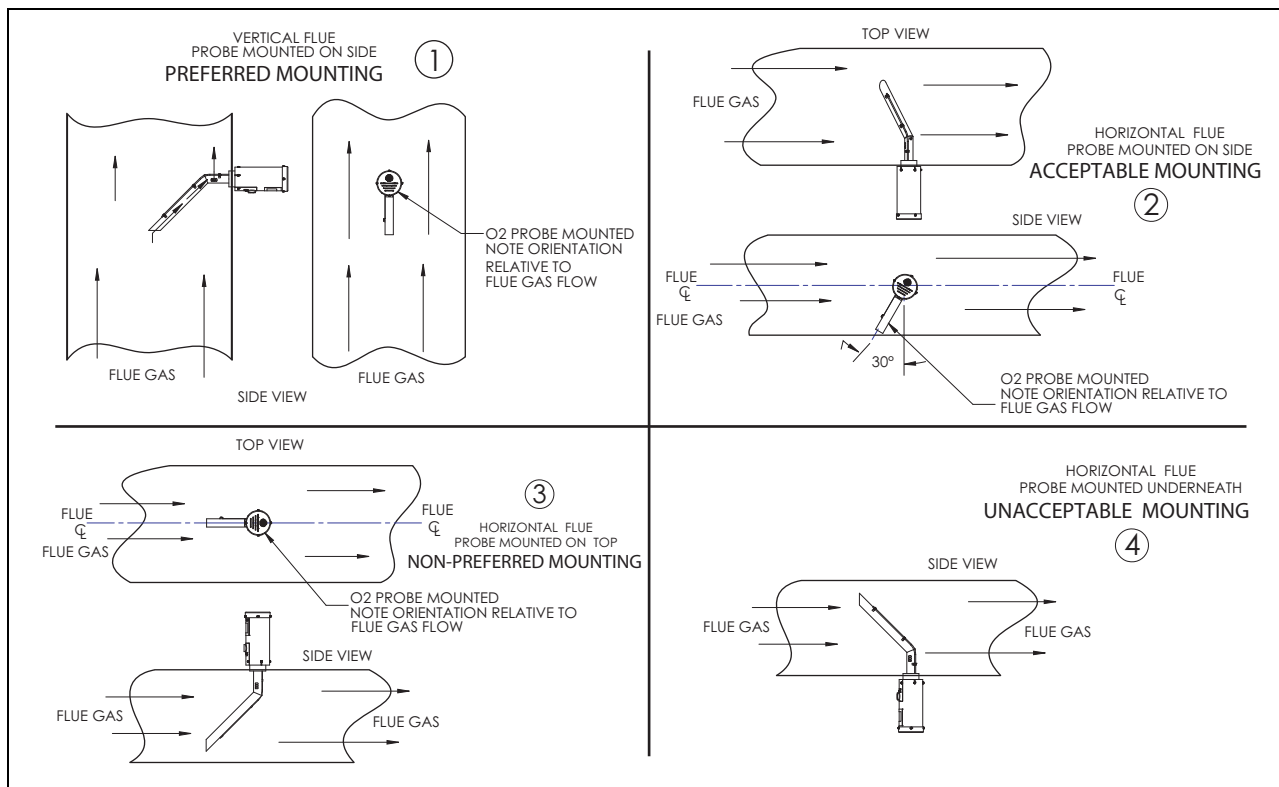
Probe mounting with the flange horizontal is acceptable. Inverted probe mounting is not acceptable.



NOTES:
1. MATERIAL: MILD STEEL

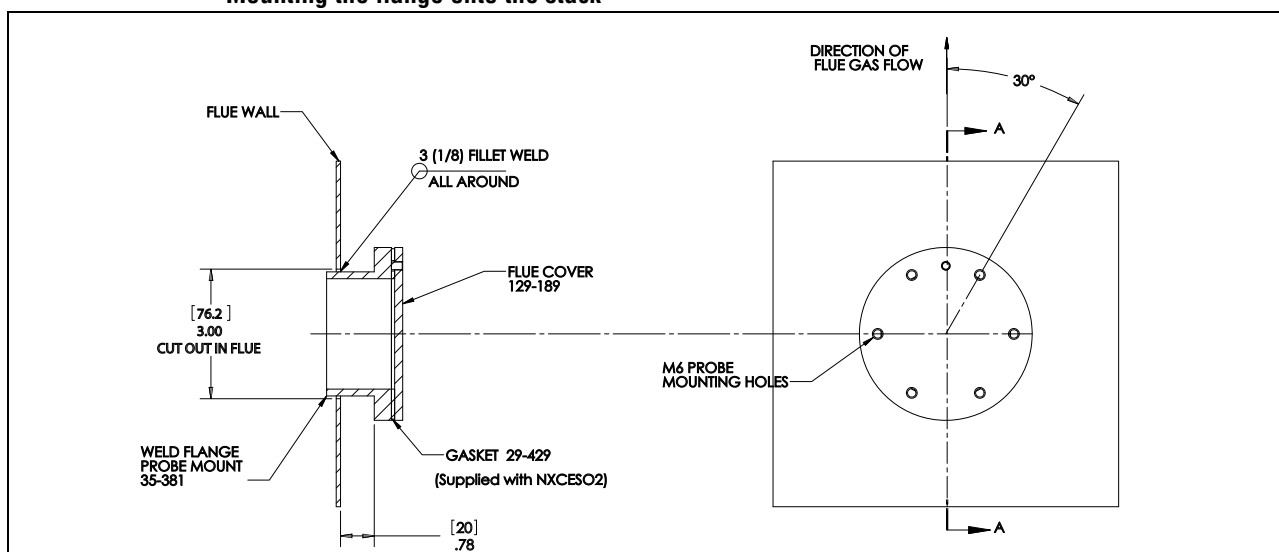


Recommended Oxygen Probe Mounting Positions



The vertical center line of the flange shown on the drawing should correspond to the gas flow direction.
6 stainless steel M6 x 20mm long socket cap screws are provided for probe or cover attachment.

Mounting the flange onto the stack



The probe flange temperature must be maintained at the temperature of the flue wall by repacking or adding lagging, which may have been removed to mount the probe. Sulfate condensation will occur if the flue wall of oil fired boiler falls below approximately 266°F (130°C). The sulfate problem does not occur in gas fired installations, but vapor may cause problems due to condensation if the temperature of the flue gas falls below 212°F (100°C).