

FLAME-MONITOR | SYSTEM ACCESSORIES



ED400	Remote Display Housing
EB500	Blank Display Module
ED600	Multi-Port Cable Connector and Terminal Strip
ED150	Remote Reset Cables
ED550	Remote Display Cables

ED400 REMOTE DISPLAY HOUSING

The Remote Display Housing for the Fireye² FLAME MONITOR control is a two piece molded plastic housing that holds the ED500 Display module when mounted on a flat surface by means of the mounting holes in each corner. The ribbon cable connector ED550 is attached through the rear panel of the housing. The ED400 also allows the display to be flush mounted. The ED500 Display Module must be removed from the FLAME MONITOR Chassis or ordered separately. A Blank Display (P/N EB500) is included to fill the empty slot in the FLAME-MONITOR Chassis when the ED500 Display Module is removed.

EB500 BLANK DISPLAY MODULE

The EB500 Blank Display fills the empty slot in the FLAME-MONITOR Chassis when the ED500 Display Module is removed for remote mounting. Included with the ED400 Remote Disp. Housing.

ED600 MULTI-PORT CABLE CONNECTOR WITH TERMINAL STRIP

The ED600 is a multi-port cable connector with a 10 point terminal strip. It is designed to facilitate cable connections between the FLAME MONITOR, ED500 Display Module, Communication Interface, and a Remote Reset button location. The ED600 is mounted on a flat surface with two screws and is recommended for use where conduit or long cable runs are required.

ED150 REMOTE RESET CABLES

The Remote Reset Cables are 10 conductor flat ribbon cables with a connector on one end and with two stripped and tinned conductors on the opposite end. Maximum length available is 25 feet (7.62m). A momentary contact switch connected to the stripped end of the cable will allow for remote reset of the FLAME-MONITOR. **See CAUTION on Page 3.**

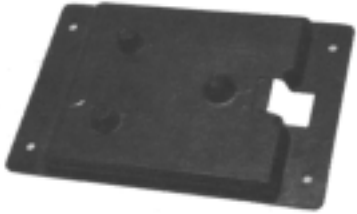
ED550 REMOTE DISPLAY CABLES

The ED550 cable is a 10 conductor flat ribbon cable with connectors on both ends for connecting the FLAME-MONITOR with the ED500 Remote Display in the ED400 Remote Display Housing. The maximum available length is 6 feet (1.83m). A right angle connector adapter is included with the ED550, for use when using the ED400 only. Only a single display may be used with each FLAME-MONITOR. Do not add a remote display when using an integral display in the FLAME-MONITOR chassis. **See CAUTION on page 4.** See Bulletin E-1001 for complete details of the Flame-Monitor.

ASSEMBLING ED400 HOUSING AND REMOTE DISPLAY

1

SURFACE MOUNTING



Place rear plate of ED400 flat on a horizontal surface with the three support posts facing up as shown in photo.

2



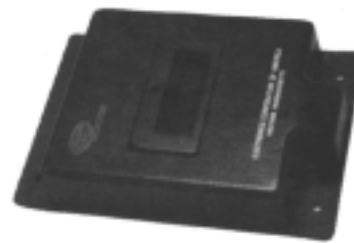
Fit the right angle connector adapter from the ED550 package onto the bottom of the ED500 Display Module as shown.

3



Now place the ED500 Display Module on the support posts of the ED400 rear plate with the display window facing up.

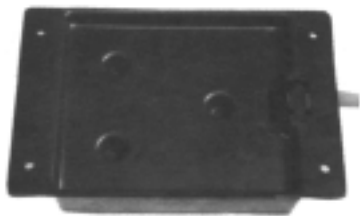
4



ED400

Position the front cover over the rear plate and adjust its position until the ED500 display window is centered in the hole of the cover plate.

5

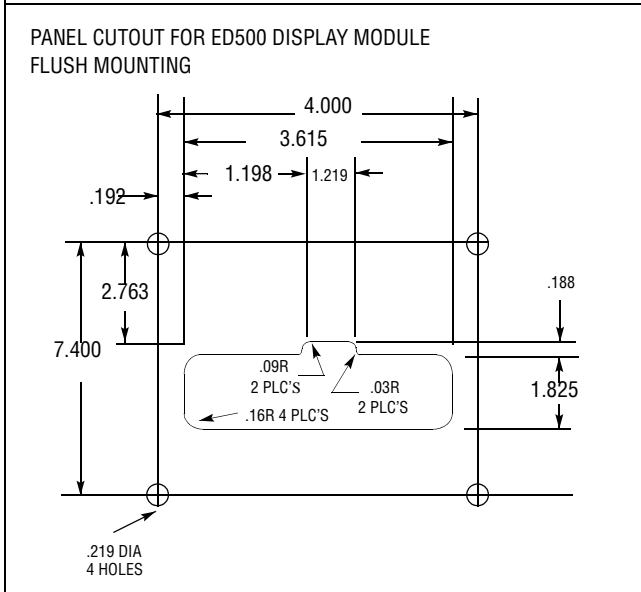
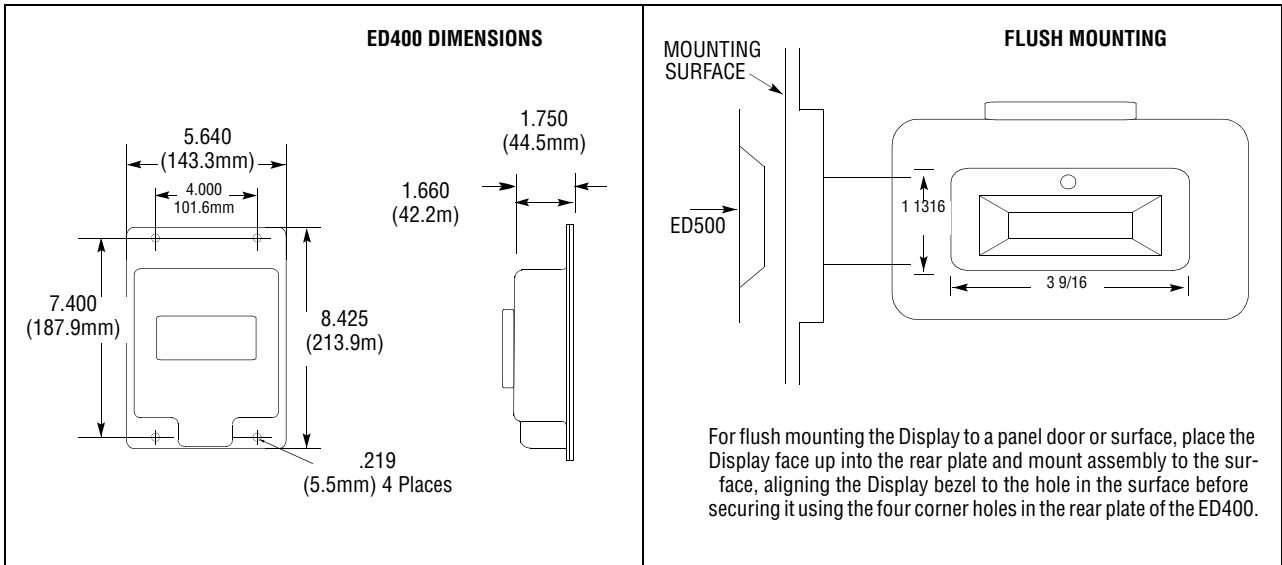


ED500

Connect the ED550 cable to the rear of the ED400/ED500 assembly before mounting the assembly on a flat surface.

IMPORTANT NOTE

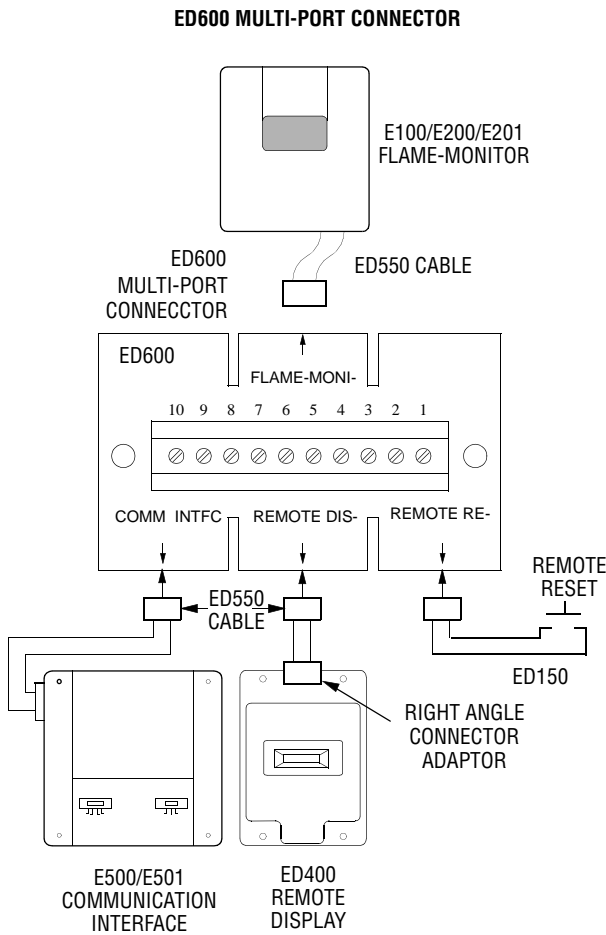
DO NOT RUN REMOTE CABLES IN THE SAME CONDUIT WITH POWER LEADS OR OTHER WIRING THAT MAY GENERATE ELECTRICAL NOISE.



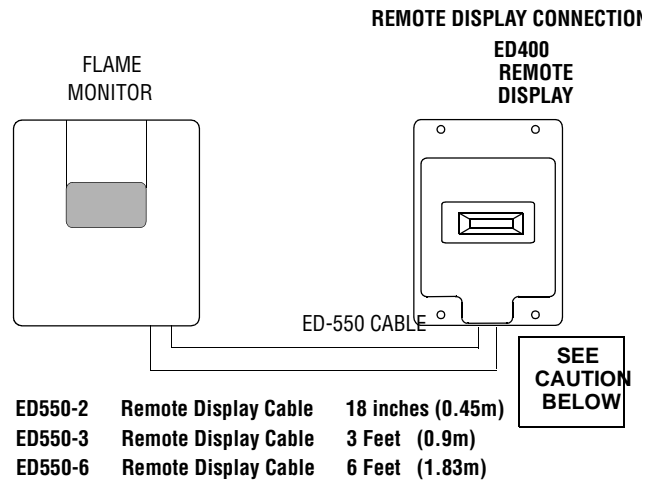
IMPORTANT NOTE

DO NOT RUN REMOTE CABLES IN THE SAME CONDUIT WITH POWER LEADS OR OTHER WIRING THAT MAY GENERATE ELECTRICAL NOISE.

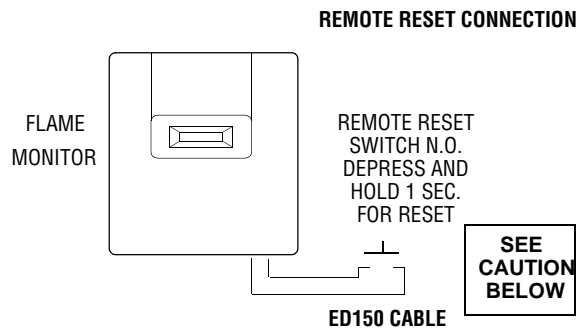
WIRING CONNECTIONS FOR ED600, REMOTE DISPLAY AND REMOTE RESET



NOTE The Remote Display Cable comes with a **right angle connector adaptor**. Do not drive two displays. Use a single display only. Do not use right angle connector on E100/E200/E201 FLAME-MONITOR or E500/E501 Communication Interface.



NOTE: The Remote Display Cable comes with a **right angle connector adaptor**. Do not drive two displays



ACCESSORY CONNECTIONS	* TERMINAL NO. ON TERMINAL STRIP										FIREYE INTERCONNECT CABLE (See Maximum)	For distances greater than Fireye maximum use Belden No. below or equivalent cable.	MAXIMUM * CABLE DISTANCE FROM E100/E200/E201
	10	9	8	7	6	5	4	3	2	1			
E500/E501 COMM. INTERFACE	●	●	●	●							ED550	8772	700 FT
ED400 REMOTE DISPLAY						●		●	● ¹	●	ED550	8723	700 FT
ED150 REMOTE RESET (SEE CAUTION BELOW)							●	●	●		ED150	8762	1,000 FT

When using the terminal strip, follow the above chart to determine which cable conductors need to be used.

* Distances apply to a programmer with a date code followed by a number greater than 11.

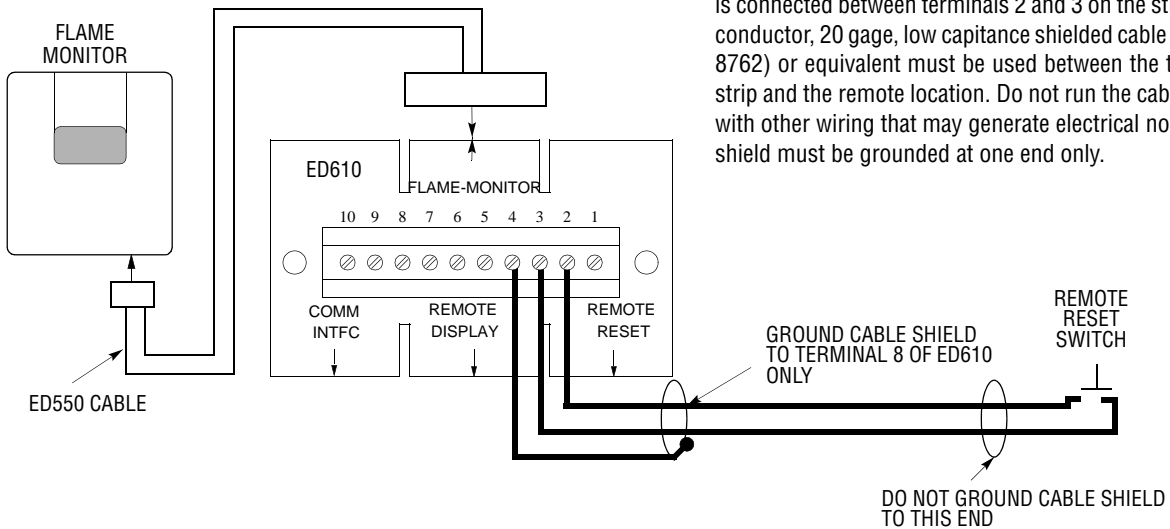
(i.e.: Date code 8740-12). Maximum cable distances on earlier programmers is 150 Ft.



CAUTION: When the remote display or the remote reset is installed, make sure that the remote location is within sight and sound of the fired equipment. Safety procedures require that the operator be at the burner to reset the safety controls in order that any unsafe conditions can be discovered and corrected prior to re-setting the safety controls or devices. For the above reason, Fireye Inc. does not recommend remote reset locations beyond sight and sound of the burner.

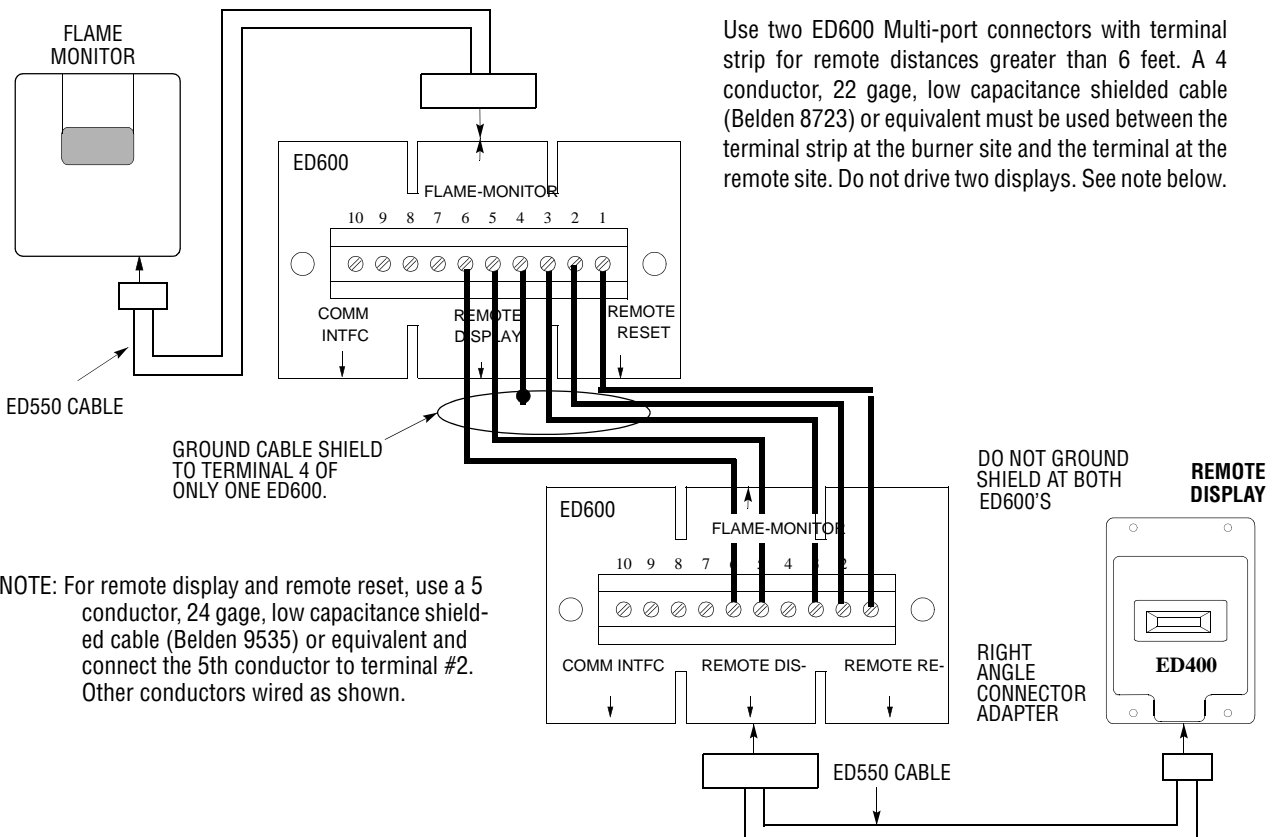
SPECIAL WIRING INSTRUCTIONS FOR REMOTE INSTALLATIONS WHERE CABLE LENGTHS GREATER THAN 6 FEET (7.62M) ARE REQUIRED. (25 FEET FOR REMOTE RESET)

REMOTE RESET WIRING:



Use the ED600 Multi-port connector with terminal strip for cable lengths greater than 25 feet. The Remote Reset is connected between terminals 2 and 3 on the strip. Two conductor, 20 gage, low capacitance shielded cable (Belden 8762) or equivalent must be used between the terminal strip and the remote location. Do not run the cable along with other wiring that may generate electrical noise. The shield must be grounded at one end only.

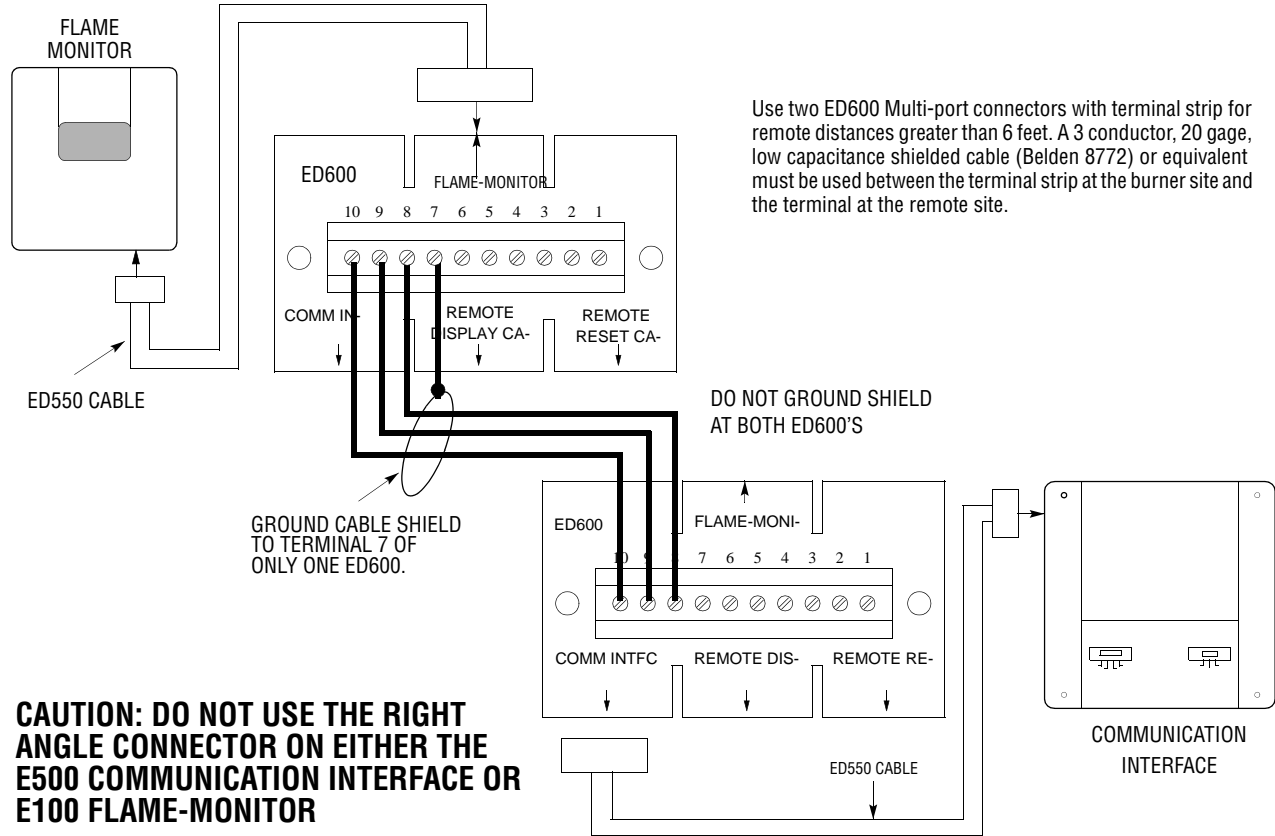
REMOTE DISPLAY WIRING:



Use two ED600 Multi-port connectors with terminal strip for remote distances greater than 6 feet. A 4 conductor, 22 gage, low capacitance shielded cable (Belden 8723) or equivalent must be used between the terminal strip at the burner site and the terminal at the remote site. Do not drive two displays. See note below.

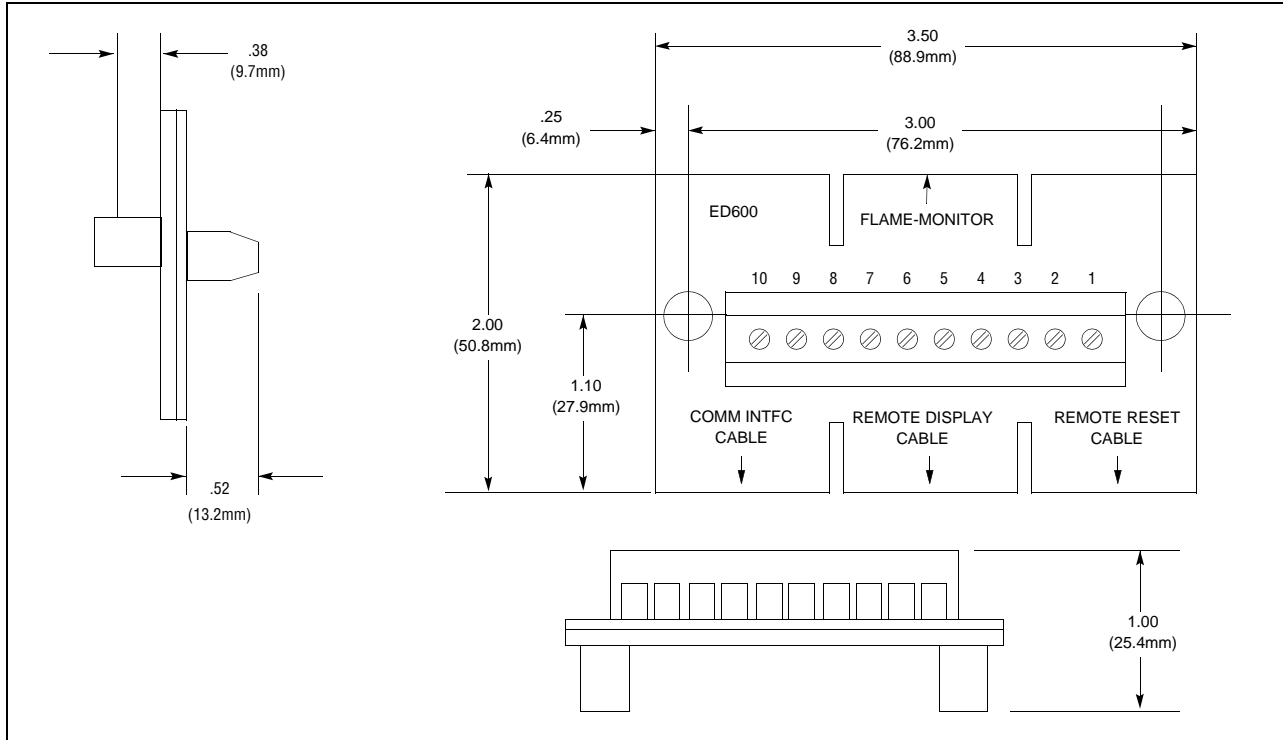
NOTE: For remote display and remote reset, use a 5 conductor, 24 gage, low capacitance shielded cable (Belden 9535) or equivalent and connect the 5th conductor to terminal #2. Other conductors wired as shown.

REMOTE COMMUNICATION INTERFACE WIRING



CAUTION: DO NOT USE THE RIGHT ANGLE CONNECTOR ON EITHER THE E500 COMMUNICATION INTERFACE OR E100 FLAME-MONITOR

DIMENSIONS FOR ED600







NOTICE

When Fireeye products are combined with equipment manufactured by others and/or integrated into systems designed or manufactured by others, the Fireeye warranty, as stated in its General Terms and Conditions of Sale, pertains only to the Fireeye products and not to any other equipment or to the combined system or its overall performance.

WARRANTIES

FIREYE guarantees for *one year from the date of installation or 18 months from date of manufacture* of its products to replace, or, at its option, to repair any product or part thereof (except lamps, electronic tubes and photocells) which is found defective in material or workmanship or which otherwise fails to conform to the description of the product on the face of its sales order. **THE FOREGOING IS IN LIEU OF ALL OTHER WARRANTIES AND FIREYE MAKES NO WARRANTY OF MERCHANTABILITY OR ANY OTHER WARRANTY, EXPRESS OR IMPLIED.** Except as specifically stated in these general terms and conditions of sale, remedies with respect to any product or part number manufactured or sold by Fireeye shall be limited exclusively to the right to replacement or repair as above provided. In no event shall Fireeye be liable for consequential or special damages of any nature that may arise in connection with such product or part.



TM FIREYE[®]
3 Manchester Road
Derry, New Hampshire 03038 USA
www.fireeye.com

E-8001
JULY 18, 2005
Supersedes May 1999