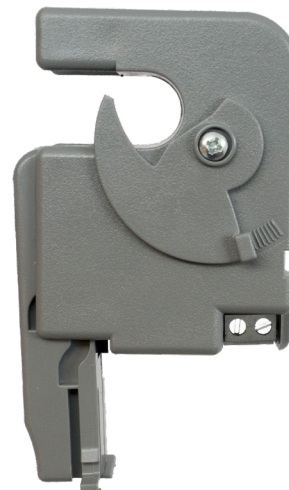
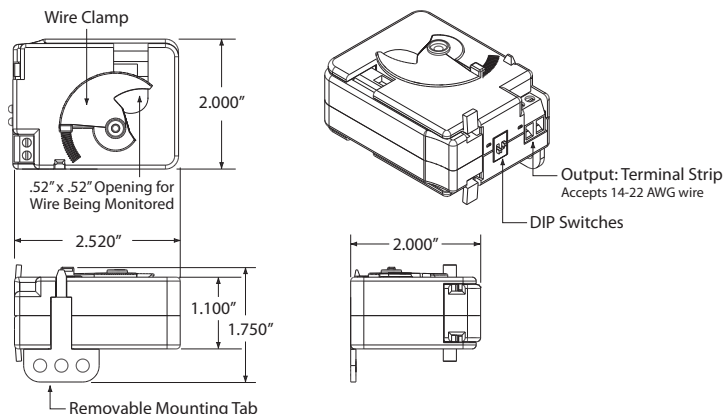


**AC TRANSDUCER**

**RIBXGTV10**

Enclosed Self-Powered Split Core Multi-Range (0-20A, 50A, or 100A) AC Transducer with 0-10Vdc Terminal Output



CURRENT SENSORS

**SPECIFICATIONS**

**Operating Temperature:** -30 to 140° F  
**Humidity Range:** 5 to 95% (noncondensing)  
**Accuracy:** 98.8% Full Scale  
**Loading:** RIBXGTV10, (0-20 Amp), 5% Error @ 60.4 kΩ  
 RIBXGTV10, (0-50 Amp), 5% Error @ 25.24 kΩ  
 RIBXGTV10, (0-100 Amp), 5% Error @ 13.65 kΩ

**Max Sense Voltage:** 600 Vac  
**Approvals:** UL Listed, UL916, UL864, California State Fire Marshal, C-UL

**Mounting/Installation:** Removable mounting tab provided. The wire clamp locks against the wire being monitored, securing the unit in place.

**Sensor Type:** Split core with voltage output

DIP SWITCH		
1	2	Sensing Range
OFF	OFF	0-20 Amp
OFF	ON	0-50 Amp
ON	OFF	0-100 Amp