

205321B Flush Mount Kit for S7800 Keyboard Display Module

Application

The 205321B Flush Mount Kit provides a means of flush mounting an S7800 Keyboard Display Module (KDM) behind a panel. The kit consists of:

- One 205321A Bracket Assembly.
- One 205363 Nameplate.
- Four 113072 No. 6 by 1/2 in. sheet metal screws.



Installation

WHEN INSTALLING THIS PRODUCT...

1. Read these instructions carefully. Failure to follow them could damage the control or cause a hazardous condition.
2. Check the ratings in the instructions and on the control to make sure the control is suitable for your application.
3. Installer must be a trained, experienced Flame Safeguard service technician.
4. After installation is complete, check out control operation as provided in the applicable instructions.



CAUTION

Disconnect power supply before beginning installation to prevent electrical shock and equipment damage. More than one disconnect may be involved.

To install the 205321 Flush Mount Kit in a panel, proceed as follows:

1. Disconnect power supply to prevent electrical shock and/or equipment damage.

2. Use the full-scale remote mounting template as shown in Fig. 1 to cut an opening in the panel for mounting the S7800 Keyboard Display Module.
3. Place the S7800 Keyboard Display Module in the 205321A Bracket Assembly. See Fig. 2.
4. Position the bracket assembly behind the cutout in the panel and secure with two No. 6 x 1/2 in. sheet metal screws. The foam pads on the bracket assembly will compress, holding the S7800 Keyboard Display Module firmly against the back of the panel.
5. Position the 205363 Nameplate above the panel cutout and mark the places for the mounting screws on the panel. Drill starter holes for the nameplate mounting screws.
6. Remove the paper backing from the nameplate and position it over the starter holes. When properly aligned, press firmly on the nameplate to fasten it to the panel.
7. Secure the nameplate with two No. 6 x 1/2 in. sheet metal screws.
8. Connect the S7800 Keyboard Display Module to the system, using the appropriate connector such as the 221818A Cable Assembly.
7. Restore power and perform checkout of the S7800 Keyboard Display Module as described in the applicable specification(s).

Fig. 1—Full scale remote mounting template for S7800 Keyboard Display Module in in. [mm].

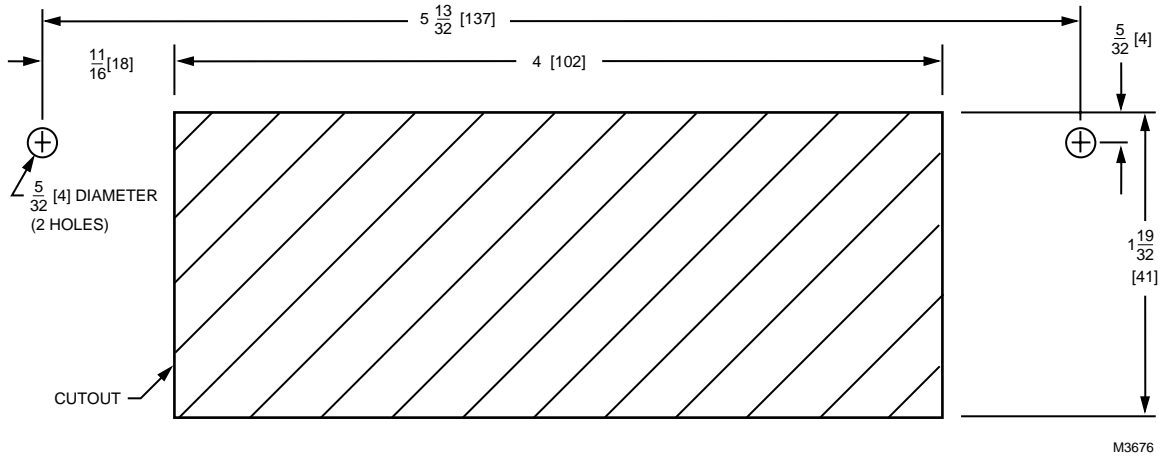
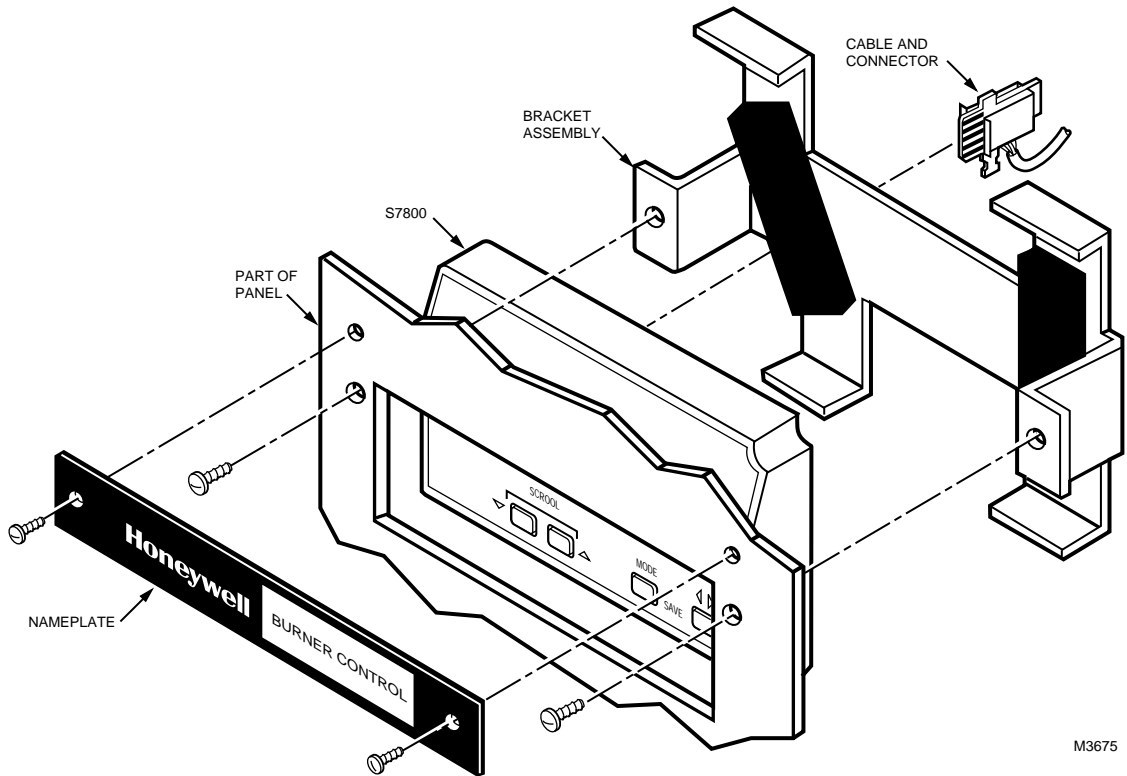


Fig. 2—Installation of 205321B Flush Mount Kit for S7800 Keyboard Display Module.



Home and Building Control
 Honeywell Inc.
 1985 Douglas Drive North
 Golden Valley, MN 55422

Home and Building Control
 Honeywell Limited—Honeywell Limitée
 740 Ellesmere Road
 Scarborough, Ontario
 M1P 2V9

Helping You Control Your World

