

32004771-001, 32004772-001 Multi-Tap Adapters 32005095-001 90-Degree IVT Adapter

INSTALLATION INSTRUCTIONS

GENERAL

The 32004771 and 32004772 Multi-Tap Adapters provide access taps for measurement and testing when installed in a Honeywell Integrated Valve Train (IVT). Three 1/4 in. NPT pipe taps are provided on the small-body (32004771) and large body (32004772) adapters.

The 32005095-001 90-Degree IVT Adapter provides for a 90-degree horizontal turn in a Honeywell IVT.

SPECIFICATIONS

Dimensions: See Fig. 1, 2 and 3.

Weight:

Small Body: 17 oz. (480 g).

Large Body: 2 lb, 13 oz. (1290 g).

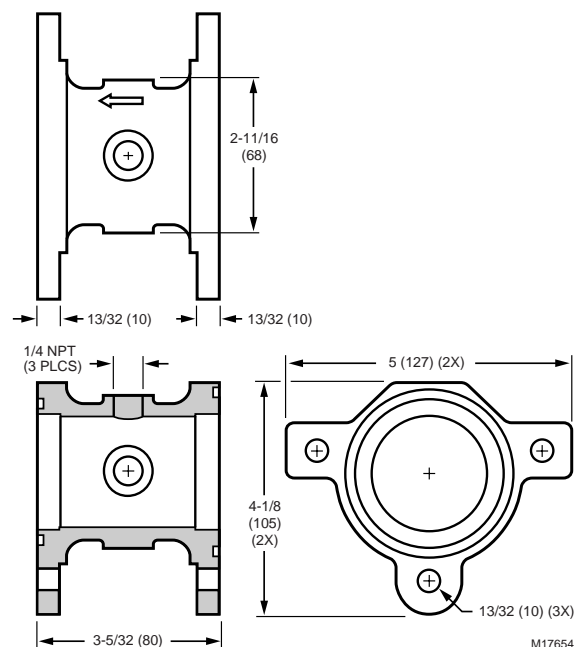


Fig. 1. 32004771-001 Multi-Tap Adapter, small body, dimensions in inches (mm). Use with 32000109 Pipe Adapters (3/4-inch to 2-inch) or other small body IVT components.



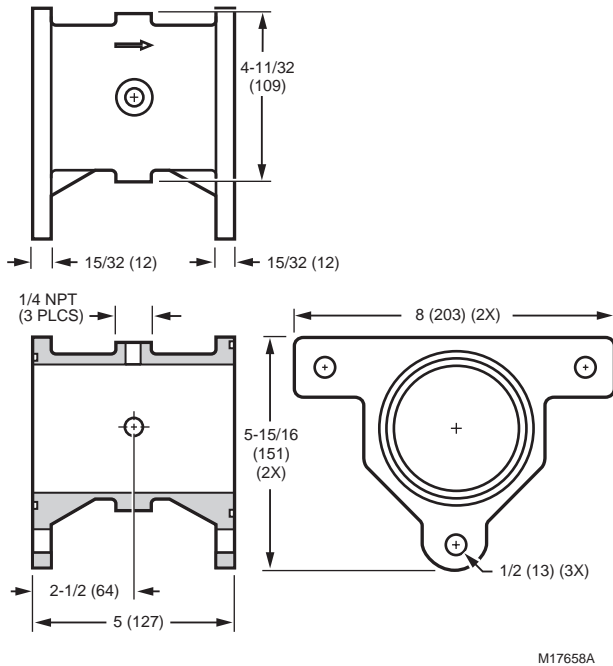


Fig. 2. 32004772-001 Multi-Tap Adapters, large body, dimensions in inches (mm). use with 32001605 Pipe Adapters (2- to 3-inch) or other large body IVT components.

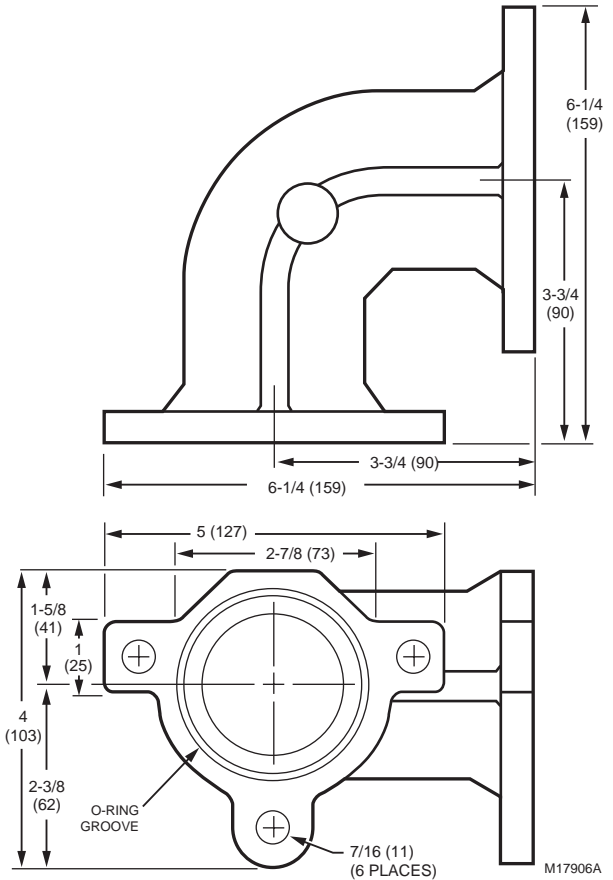


Fig. 3. 32005095 90-Degree IVT Adapter, dimensions in inches (mm).

Accessories:

- O-rings (large and small), supplied with adapters.
- Mounting bolts, supplied with adapters.
- 32005096-001 Screen Assembly Accessory for 32004771 Small Body Multi-Tap Adapter.
- 32005096-002 Screen Assembly Accessory for 32004772 Large Body Multi-Tap Adapter.

Ambient Temperature Range:

-40°F to +150°F (-40°C to +66°C).

Pressure Rating: 75 psi (5 bar).

Approvals:

- Underwriters Laboratories Inc. Listed:
 - File MH1639, Guide No. Y102.
- Industrial Risk Insurers (formerly FIA) Acceptable.
- Factory Mutual Approved.
- International Approval Services (IAS) Design Certified:
 - Report No. 21-1C.
- CE Approved: Pending.
- Australian Gas Association Approved: Pending.

INSTALLATION

When Installing This Product...

1. Read these instructions and form no. 66-1099 carefully. Failure to follow them could damage the product or cause a hazardous condition.
2. Check the ratings given in these instructions and on the product to make sure the product is suitable for your application.
3. Make sure the installer is a trained, experienced service technician.
4. Use these instructions to check out product operation after installation.

WARNING

Fire or Explosion Hazard.
Can cause property damage, serious injury or death.

Perform a soap and water solution leak test any time work is done on a gas system.

Connecting the Multi-Tap Adapter Between the Valves

1. Using the grease packet provided (or equivalent, general purpose, lithium grease), grease the O-rings. Make sure the grease is applied evenly around the entire O-ring.
2. Insert the O-ring into the O-ring groove.

NOTE: On the small-body adapter, the large O-ring is on the inlet side of the adapter and the small O-ring is on the outlet side. The reverse is true for the large-body adapters.

3. Position the adapter in the valve train so that the arrow on the adapter points in the direction of gas flow.
4. Assemble the adapter to the valves using the bolts, nuts and lock washers provided.

Connecting the 90-Degree IVT Adapter Between the Valves.

1. Using the grease packet provided (or equivalent, general purpose, lithium grease), grease the O-rings. Make sure the grease is applied evenly around the entire O-ring.
2. Insert the O-ring into the O-ring groove.

NOTE: Make sure to place a greased O-ring in each O-ring groove. For instance, if both mating surfaces have O-ring grooves, two O-rings should be used (one in each surface). The 90-degree IVT adapter uses small O-rings on both surfaces.

3. Position the 90-degree IVT Adapter in the valve train.

NOTE: There are no arrows on the 90-degree IVT adapter to indicate gas flow direction. The adapter can be used as either a left-hand or right-hand turn.

4. Assemble the 90-degree IVT Adapter to the valves using the bolts, nuts and lock washers provided.

Installing Screen Assemblies

The 32005096 Screen Assembly Accessories are used to reduce the possibility of impurities affecting the gas flow. Install them as follows:

Install the screen assembly on the inlet side of the Multi-tap Adapter.

NOTE: Installing screen assemblies causes a reduction in gas flow. See Table 1 and Fig. 4 and 5.

Table 1. Flow Reduction Due to Screen Assemblies.^a

No. of Screens	MTA 2-in.		MTA 3-in.	
	Delta P in. w.c.	Flow of 0.64 Gas in scfh	Delta P in. w.c.	Flow of 0.64 Gas in scfh
0	0.5	10,750	0.25	15,830
	1	14,540	0.3	16,870
1	1	4,000	1.2	11,400
	5	9370	2	15,300
	10	13,300	2.4	16,700
2	5	6500	1	6750
	10	9800	1.3	8740
	15	11,740	2	10,750
	—	—	4.5	16,500

^a Flow figures are from factory tests. Your flow values can vary from these figures.

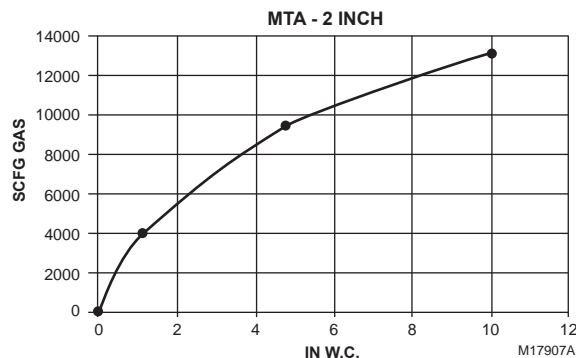


Fig. 4. 32004771 2-in. MTA with one screen.

TEST AND MEASUREMENT

Follow the test and measurement procedures provided in the instructions for the valves and other devices in the IVT and in form no. 66-1099.

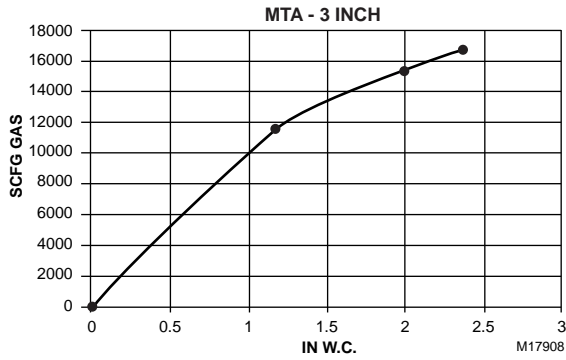


Fig. 5. 32004772 3-in. MTA with one screen.

Honeywell

Automation and Control Solutions

Honeywell International Inc. Honeywell Limited-Honeywell Limitée
1985 Douglas Drive North 35 Dynamic Drive
Golden Valley, MN 55422 Scarborough, Ontario
M1V 4Z9