

# TrueDRY DH65

## Dehumidification System

### SPECIFICATION DATA

#### DH65 Capacities and Performance

<b>Part Number:</b>	DH65
<b>Blower:</b>	240 CFM @ 0.0 in. WG 220 CFM @ 0.4 in. WG
<b>Supply Voltage:</b>	110–120 Volt; 60 Hz.
<b>Amps:</b>	5.5
<b>Operating Exterior Temp:</b>	56–130°F (13–54°C) ducted 56–100°F (13–38°C) unducted
<b>Capacity:</b>	65 Pints/Day (80°F [27°C], 60% RH)
<b>Energy Performance:</b>	2.02 liters per kilowatt hour
<b>Coverage (sq ft):</b>	Up to 3120
<b>Discharge Air Temp:</b>	105°F (41°C) (80°F [27°C], 60% RH intake)
<b>Duct Connections:</b>	8 in. Round Inlet 8 in. Round Outlet
<b>Filter Efficiency:</b>	Standard MERV-11 (65% ASHRAE Dust Spot)
<b>Power Cord:</b>	7.5 ft. 115V With Ground
<b>Drain Connection:</b>	3/4 in. Threaded MPT
<b>Dimensions (See Fig. 1):</b>	
Width:	11-5/8 in.
Height:	11-1/2 in.
Length:	21 in. without collars 27 in. with collars
Weight:	55 lbs
<b>Shipping Specs:</b>	
Length:	31 in.
Height:	16 in.
Width:	15 in.
Weight:	65 lbs

#### OPTIONAL PARTS

MERV 11 Filter:	50033205-009
Motorized Damper:	EARD6
Duct Collar:	50033205-008
Transformer (120/24 Vac, 40VA):	50033205-006
Fan Relay SPDT (14 Vac, 15A):	50033205-005
Blower Motor and Fan:	50033205-004
Compressor run capacitor:	50033205-003
Compressor Relay	
SPST (24 Vac, 30A):	50033205-002
Compressor Overload:	50033205-001
Compressor	50033204-001
DPDT Relay:	R8222D1014

ETL listed. Conforms to UL Std. 1995.

For more information call 1-800-468-1502 or visit our website at customer.honeywell.com.

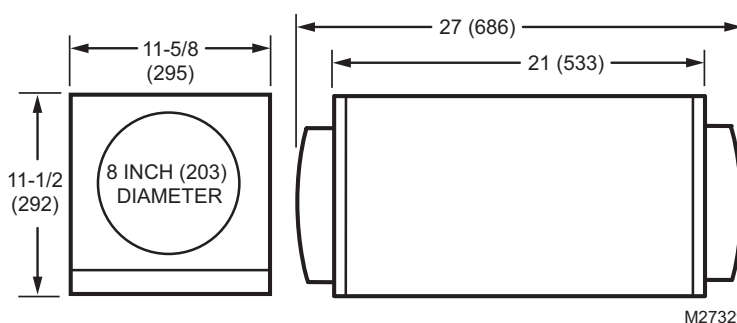


Fig. 1. Dimensions in in. (mm).

The TrueDRY DH65 performs multiple indoor air quality functions in a single, compact unit:

- High-Capacity Dehumidification
- Air Filtration
- Fresh Air Ventilation (optional)

#### Dehumidification

The highly efficient TrueDRY DH65 dehumidifier utilizes refrigeration and internal air circulation to cool the incoming air stream below its dew point. Its compact size makes the TrueDRY DH65 ideal for tightly fit applications.

After helping to cool the incoming air, the processed air is reheated by passing through the condenser coil. The heat removed by the evaporator coil is returned to the air stream, resulting in an overall temperature increase to the processed air.

The TrueDRY DH65 is controlled by a variety of 24 volt remote wired controls.

#### Fresh Air Ventilation

Optional fresh outdoor air may be ducted via a tee off the 8-in. round duct. This provides fresh air to dilute pollutants and maintain a normal oxygen content in the air. The amount of fresh air ventilation can be regulated by a variety of dampers and controls.

#### Air Filtration

The TrueDRY DH65 includes air filtration to keep the DH65's condenser coils clean. A MERV-11 media filter is standard.

Length: 11 in.  
Height: 9 in.  
Width: 1 in.



68-3066-01

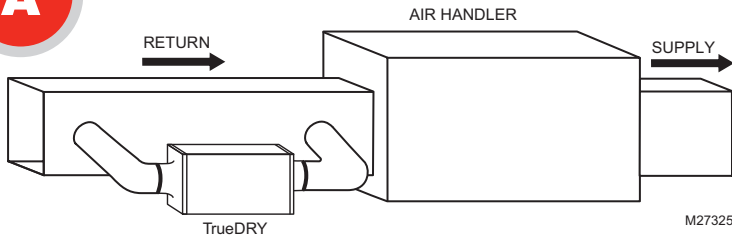
# Installation Recommendations and Options



**WARNING:** Exposed internal fan may cause injury. Ducting of the exhaust port is required.



## Main Return to Main Return

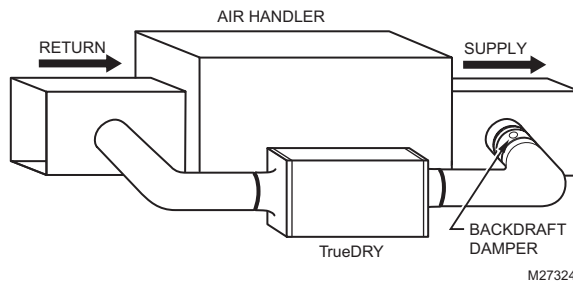


Ideal when...

- Running TrueDRY DH65 with A/C operation.
- Minimizing discharge air temperature (DAT) increase is preferred.
- Space dictates.



## Main Return to Main Supply

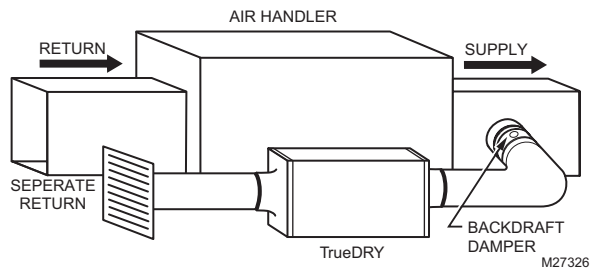


Ideal when...

- Running TrueDRY DH65 opposite A/C operation. Running with A/C operation requires damper on the exhaust port to minimize backdraft when TrueDRY DH65 is not on but A/C is.
- Minimizing DAT increase is preferred.
- Space dictates.



## Dedicated Return to Main Supply

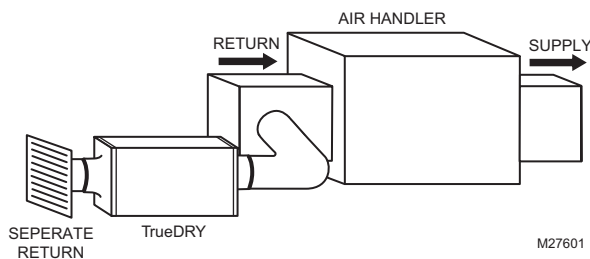


Ideal when...

- Drying a specific area of the house.
- Running with A/C operation requires backdraft damper on the exhaust port to minimize backdraft when TrueDRY DH6 is not on but A/C is.
- Minimizing DAT increase is preferred.



## Dedicated Return to A/C Return



Ideal when...

- Running TrueDRY DH65 with A/C operation.
- Drying a specific area of the house.
- Minimizing DAT increase is preferred.

### Automation and Control Solutions

Honeywell International Inc.

1985 Douglas Drive North

Golden Valley, MN 55422

<http://customer.honeywell.com>

Honeywell Limited-Honeywell Limitée

35 Dynamic Drive

Toronto, Ontario M1V 4Z9

