

# ML7984 Valve Actuator

## PRODUCT DATA



- Separate models available for V5011/13 A and C or V5011/13 F and G valve body types
- Self-contained, motorized valve linkage.
- Linkage self-adjusts to valve stroke of up to 19 mm (3/4")
- Multipoise mounting
- Strong valve seat closing force 710 Newton (160 lbs.)
- Compact size for easy installation in confined areas
- Electronic current sensing provides internal protection and positive full closing force
- Field-addable auxiliary switches available

## APPLICATION

The ML7984 is a self-contained, self-adjusting, linear motorized linkage that mounts directly onto V5011 two-way or V5013 three-way valves and provides up to 19 mm (3/4") of linear travel (stem lift). For use with Series 70 2-10Vdc, 4-20mA electronic and Series 90 135  $\Omega$ , Electronic (Super Mod) modulating signal controllers.

## FEATURES

The ML7984 valve actuator provides the following features:

- Allows the use of one common transformer power supply for multiple actuators and controllers
- Field-configurable DIP switches for Series 70 / 90 controller
- Field-configurable DIP switches for Direct / Reverse action
- Field-selectable terminals for 2-10Vdc / 4-20 mA signal input
- One device for either Vac or Vdc power supply application
- Compatible with 3 -wire system (one common wire for both signal & power inputs)

## SPECIFICATIONS

### Ambient Rating

**Operating Temperature:** 0°C to 55°C (32°F to 130°F)

**Shipping Temperature:** -40°C to +65°C (-40°F to 150°F)

**Relative Humidity:** 15% to 95% at 40°C (104°F)

### Acoustic Noise

55 dBA max. Sound Pressure Level at 1 m (39") distance.

### Electrical Ratings

**Power supply/consumption:** 24V (Nominal), 50/60Hz or 24 to 28 Vdc. 6VA(Running), 12VA(Valve seating)

### Input Impedance

Voltage Model -- 20 K $\Omega$

Current Model --237  $\Omega$

### Shipping Weight

Approx. 1 kg (2.2 lbs)



## Accessories/Parts

**272630A:** Auxiliary switch assembly (1-SPDT)

**272630B:** Auxiliary switch assembly (2-SPDT)

**40003793-003:** Mounting hardware bag assembly

**272822:** Resistor kit for multiple Series 90 application and for ML7984 to replace the old ML784 (4-20 mA)

## Mechanical Ratings

**Stroke:** 19mm (3/4") or less

**Stroke timing:** Approx. 63 seconds for 3/4" stroke

**Closing Force:** 710N (160 lbs.) Nominal\*

\*Rating applies to both directions.

## Performance Specifications

**Life Expectancy (at rated load and power conditions):**  
50,000 full stroke cycles plus 1,000,000 repositions at 10% stem travel or 10 years, whichever occurs first.

NOTE: Rapid repositioning will result in reduced service life of the actuator.

## INSTALLATION



### CAUTION

**Equipment Damage Hazard.**  
**Installer must be a trained service technician.**

Do not electrically operate the ML7984 before assembly to the valve because damage not apparent to the installer may occur.

## Mounting

1. Ensure that the valve body is installed correctly, that is, the arrow points in the direction of the flow.
2. Although the actuator can be mounted in any position, it is preferable that the ML7984 is mounted above the valve body. This will minimize the risk of damage to the ML7984 in the event of condensation or a valve gland leak.
3. Remove the stem button (Fig 3) from the valve stem. Save the set screw inside the stem button for later installation. The button itself is not needed.
4. Slide the position indicator (plastic disk or rubber O-ring) over the valve stem. (See inset, Fig 3) Indicator will selfalign to the marking on the yoke after one complete operating cycle.

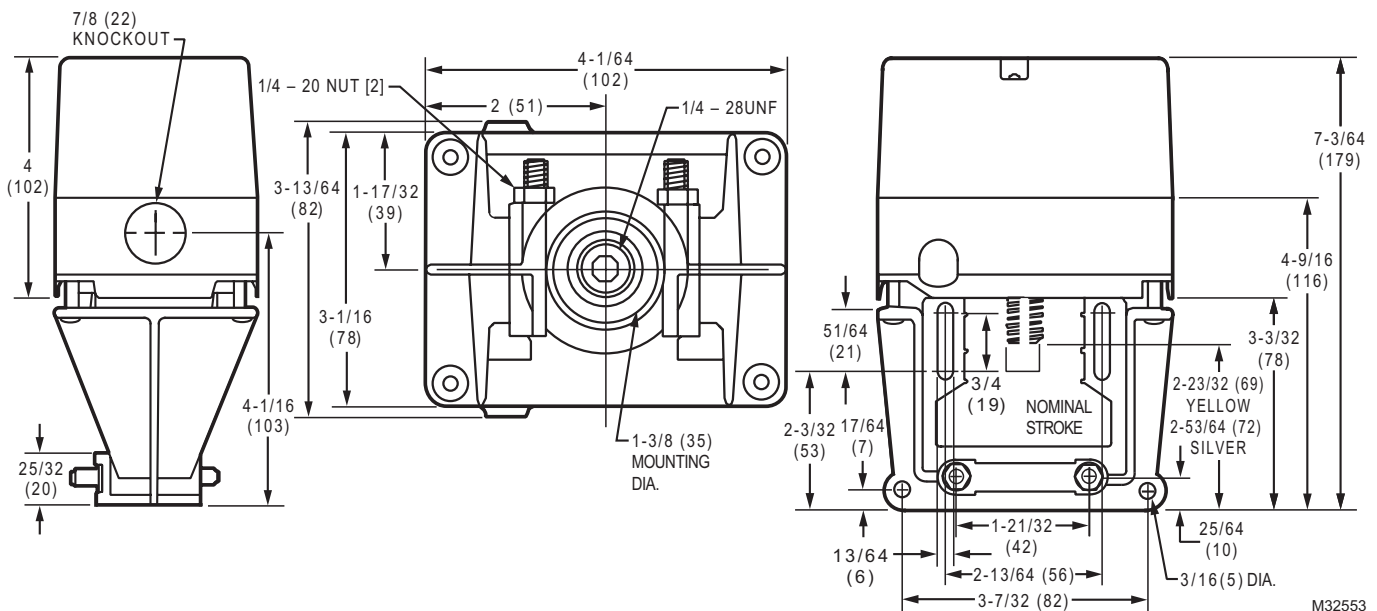


Fig 1. Dimensions of ML7984 valve actuator in mm (in.).

## Assembly of ML7984 to the valve:

1. The drive shaft of the ML7984 has a threaded hole to link with the valve stem. Slide the yoke over the valve bonnet (Fig 4)
2. Thread the ML7984 drive shaft onto the valve stem all the way, until it is completely attached (with no threads showing), by turning the valve actuator in a clockwise direction, as viewed from above (depending on the valve models, use a pin or wrench to keep valve stem from turning). Note that the valve actuator is shipped with drive shaft in the mid-position.
3. Care should be exercised when using the TOOLS on the valve stem during tightening. (Fig 4) DO NOT damage the threads or other parts of the stem.
4. Orient the conduit hole to the most desirable direction, then tighten the LOCKNUTS on the U-bolt.

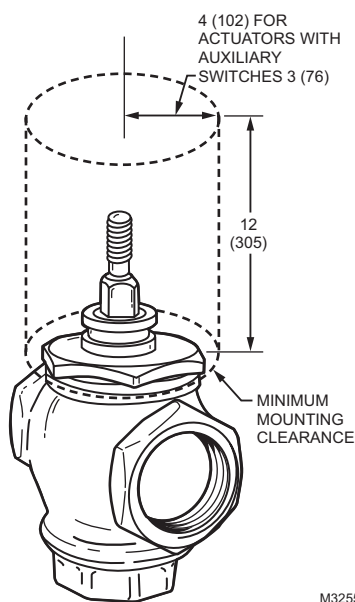


Fig 2. Minimum mounting clearance.

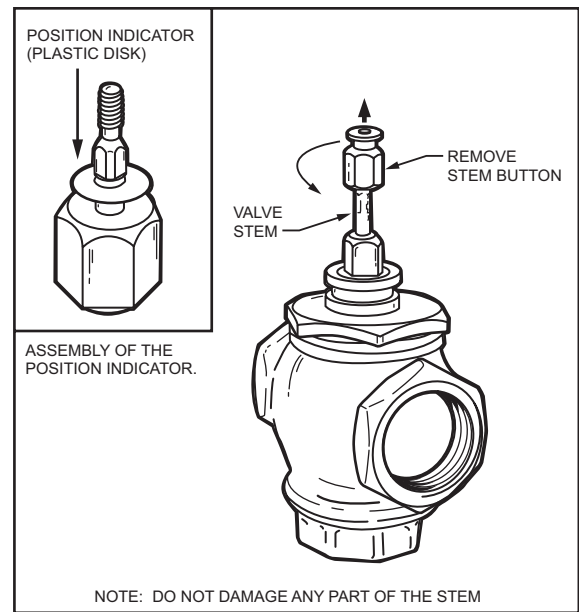


Fig 3. Preparation for valve assembly.

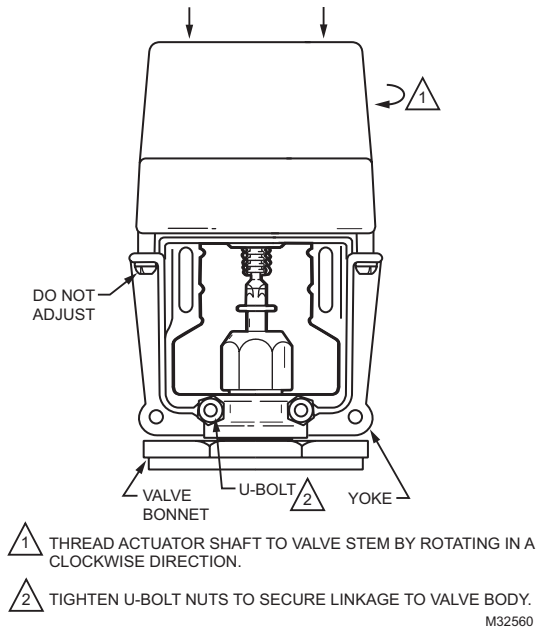
5. Remove the plastic cover from the ML7984 by loosening the two screws located on the top (Note: These screws are captive. Rotate three complete revolutions to remove cover ). Drop either Slot Headed or Allen Hex type of set screw (both are included in the plastic bag ) into the top of the shaft, slotted/ Hexed side up. Or use the set screw from the valve stem button.
6. Depends on which type of set screw was used, with a 5 mm (3/16") Slotted screwdriver or 1/8"x 6" Allen wrench (included in the plastic bag), tighten the set screw to lock valve stem in place (Fig 6).



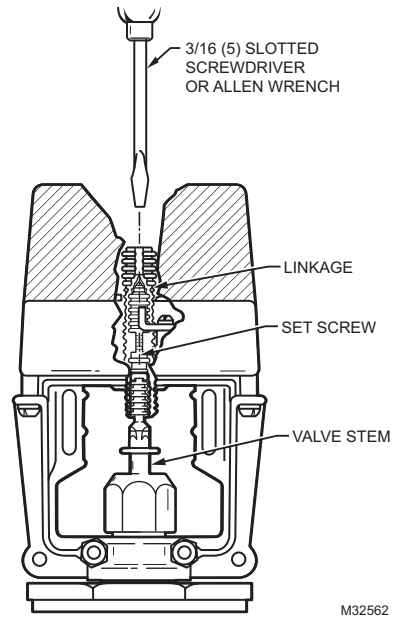
## CAUTION

**Equipment Damage Hazard.**  
**Installer must be a trained service technician.**

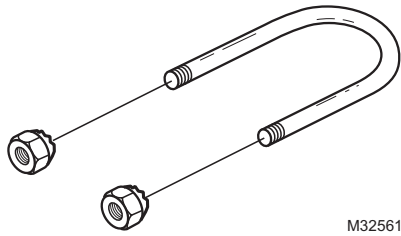
For proper valve operation, valve stem must be threaded into the actuator all the way (with no threads showing) and locked in place with the set screw provided.



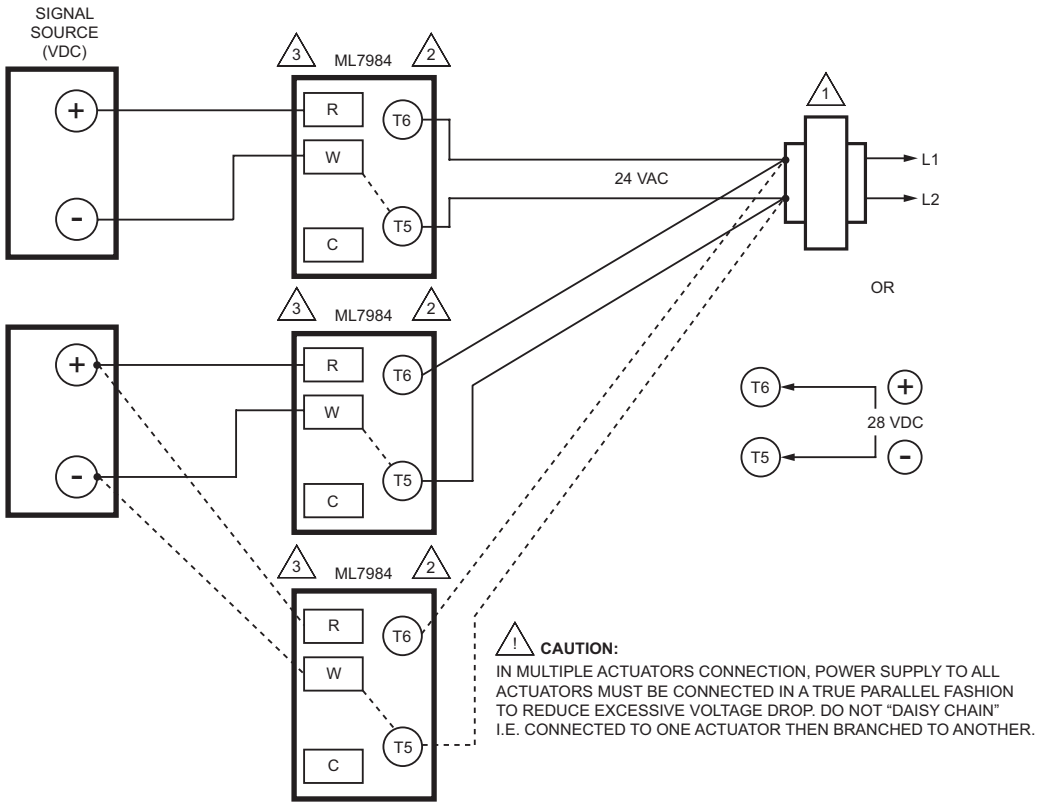
**Fig 4. Assembly of ML7984A to valve.**



**Fig 6. Locking ML7984A drive shaft to valve stem.**



**Fig 5. U-Bolt assembly.**



- 1 ALLOW 0.5 AMPS MAXIMUM FOR EACH DEVICE. ACTUATORS AND CONTROLLER CAN SHARE SAME TRANSFORMER PROVIDING THE VA RATING OF THE TRANSFORMER IS NOT EXCEEDED AND PROPER PHASING IS OBSERVED.
- 2 "T5" AND "W" TERMINALS ARE FACTORY CONNECTED INTERNALLY. DEVICE IS COMPATIBLE WITH THE 3-WIRE CONTROL SYSTEM.
- 3 USE CONFIGURATION DIP SWITCHES TO SELECT DEVICE FUNCTIONS: DIRECT ACTING FUNCTION (ACTUATOR STEM MOVES UPWARDS WITH SIGNAL INCREASES) OR REVERSE ACTING FUNCTION (ACTUATOR STEM MOVES DOWNWARDS WITH SIGNAL INCREASES).

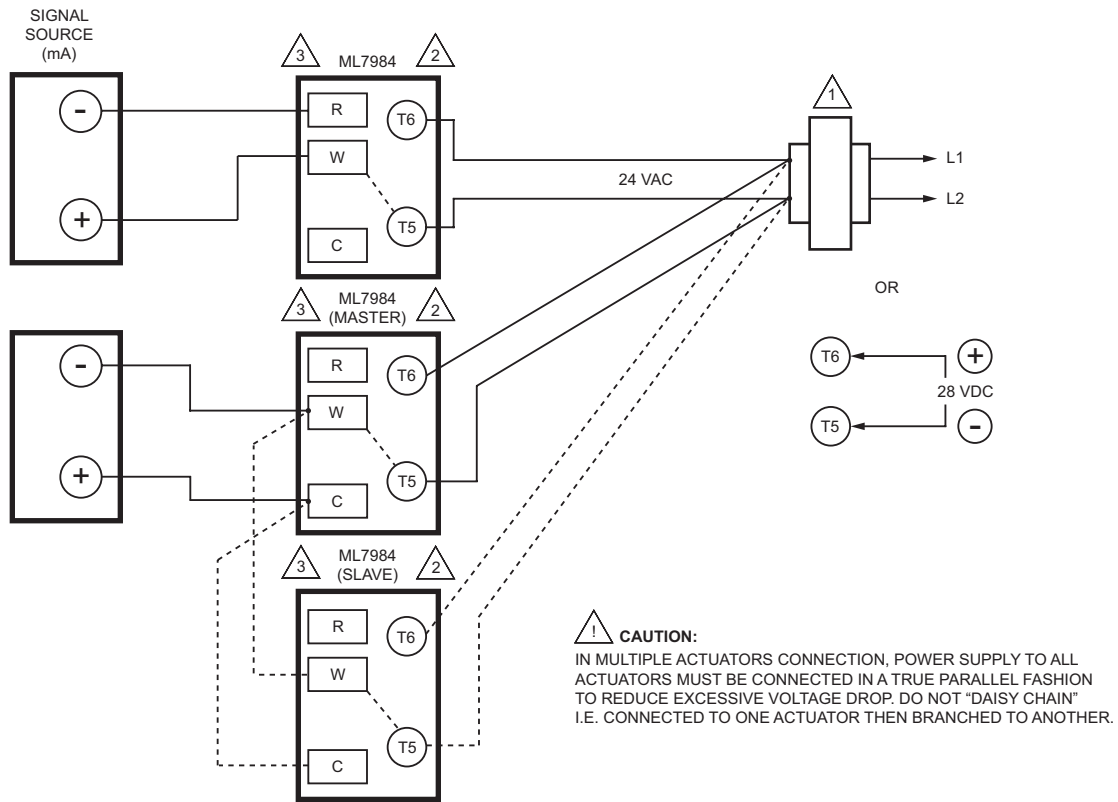
CONFIGURATION DIP SWITCHES LOCATED ADJACENT TO THE INPUT TERMINAL BLOCK	FUNCTION	DIP SWITCH CONFIGURATION										
	2-10 VDC DIRECT ACTING	<table border="0"> <tr> <td><input type="checkbox"/></td> <td><input type="checkbox"/></td> <td><input type="checkbox"/></td> <td><input type="checkbox"/></td> <td>ON</td> </tr> <tr> <td>1</td> <td>2</td> <td>3</td> <td>4</td> <td>OFF</td> </tr> </table>	<input type="checkbox"/>	<input type="checkbox"/>	<input type="checkbox"/>	<input type="checkbox"/>	ON	1	2	3	4	OFF
<input type="checkbox"/>	<input type="checkbox"/>	<input type="checkbox"/>	<input type="checkbox"/>	ON								
1	2	3	4	OFF								
	10-2 VDC REVERSE ACTING	<table border="0"> <tr> <td><input type="checkbox"/></td> <td><input type="checkbox"/></td> <td><input type="checkbox"/></td> <td><input type="checkbox"/></td> <td>ON</td> </tr> <tr> <td>1</td> <td>2</td> <td>3</td> <td>4</td> <td>OFF</td> </tr> </table>	<input type="checkbox"/>	<input type="checkbox"/>	<input type="checkbox"/>	<input type="checkbox"/>	ON	1	2	3	4	OFF
<input type="checkbox"/>	<input type="checkbox"/>	<input type="checkbox"/>	<input type="checkbox"/>	ON								
1	2	3	4	OFF								

NOTE:  
TURN POWER OFF BEFORE SETTING THE DIP SWITCHES.

M21310

**Fig 7. Wiring for Series 70 (Vdc) signal input ML7984 actuators.**

ML7984 VALVE ACTUATOR



- 1 ALLOW 0.5 AMPS MAXIMUM FOR EACH DEVICE. ACTUATORS AND CONTROLLER CAN SHARE SAME TRANSFORMER PROVIDING THE VA RATING OF THE TRANSFORMER IS NOT EXCEEDED AND PROPER PHASING IS OBSERVED.
- 2 "T5" AND "W" TERMINALS ARE FACTORY CONNECTED INTERNALLY. DEVICE IS COMPATIBLE WITH THE 3-WIRE CONTROL SYSTEM.
- 3 USE CONFIGURATION DIP SWITCHES TO SELECT DEVICE FUNCTIONS: DIRECT ACTING FUNCTION (ACTUATOR STEM MOVES UPWARDS WITH SIGNAL INCREASES) OR REVERSE ACTING FUNCTION (ACTUATOR STEM MOVES DOWNWARDS WITH SIGNAL INCREASES).

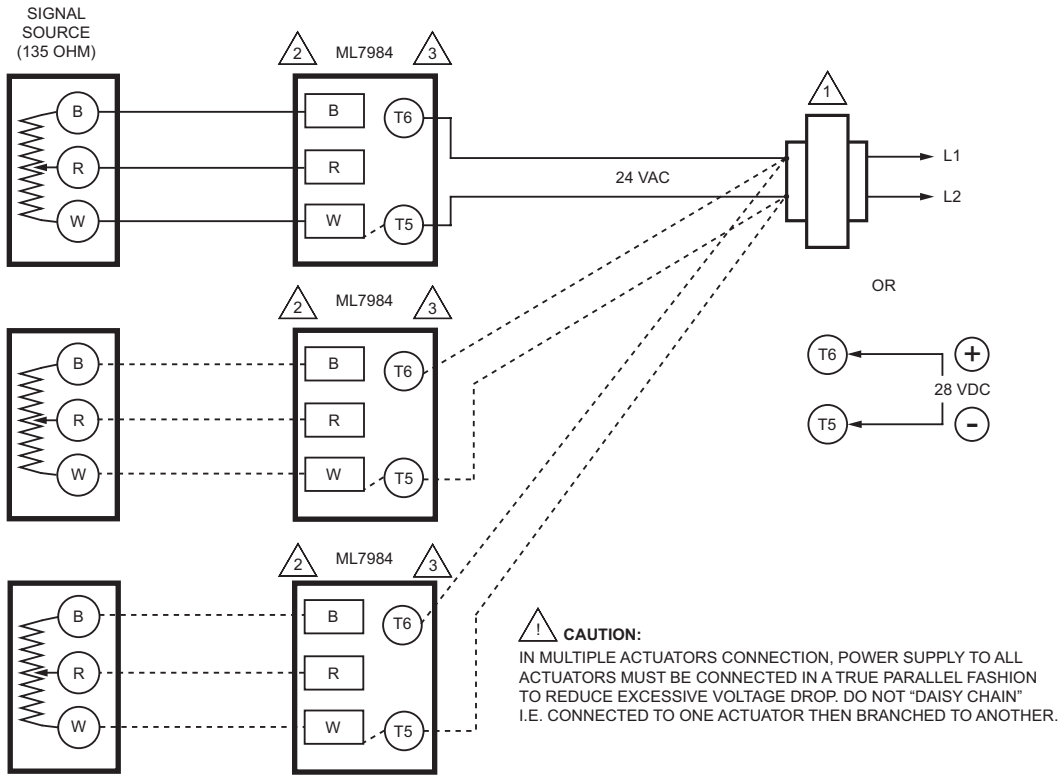
CONFIGURATION DIP SWITCHES LOCATED ADJACENT TO THE INPUT TERMINAL BLOCK

FUNCTION	DIP SWITCH CONFIGURATION
4-20 mA DIRECT ACTING	MASTER ACTUATOR → <input type="checkbox"/> 1
	← SLAVE ACTUATOR <input type="checkbox"/> 1 <input type="checkbox"/> 2 <input type="checkbox"/> 3 <input type="checkbox"/> 4 ON OFF
20-4 MA REVERSE ACTING	MASTER ACTUATOR → <input type="checkbox"/> 1
	← SLAVE ACTUATOR <input type="checkbox"/> 1 <input type="checkbox"/> 2 <input type="checkbox"/> 3 <input type="checkbox"/> 4 ON OFF

NOTE:  
TURN POWER OFF BEFORE SETTING THE DIP SWITCHES.

M21311

Fig 8. Wiring for Series 70 (mA) signal input ML7984 actuators.



- 1 ALLOW 0.5 AMPS MAXIMUM FOR EACH DEVICE.
- 2 DO NOT MIX M984/6 OR MODUTROL MOTORS WITH THE ML7984 IN THE SAME CIRCUITRY.
- 3 USE CONFIGURATION DIP SWITCHES TO SELECT DEVICE FUNCTIONS: DIRECT ACTING FUNCTION (ACTUATOR STEM MOVES UPWARDS) WITH SIGNAL INCREASES) OR REVERSE ACTING FUNCTION (ACTUATOR STEM MOVES DOWNWARDS WITH SIGNAL INCREASES).

\*SERIES 90 (MECH/ELETRONIC) OPERATION CAN BE REVERSED WITHOUT CHANGING WIRING BY USING DIP SWITCH #3 (OPPOSITE AS SHOWN).

CONFIGURATION DIP SWITCHES LOCATED ADJACENT TO THE INPUT TERMINAL BLOCK

FUNCTION	DIP SWITCH CONFIGURATION
*SERIES 90 (MECHANICAL 135 OHMS) I.E. T991	<div style="display: flex; justify-content: space-around; align-items: center;"> <div style="text-align: center;"> <input type="checkbox"/> 1                 </div> <div style="text-align: center;"> <input type="checkbox"/> 2                 </div> <div style="text-align: center;"> <input type="checkbox"/> 3                 </div> <div style="text-align: center;"> <input type="checkbox"/> ON OFF                 </div> </div>

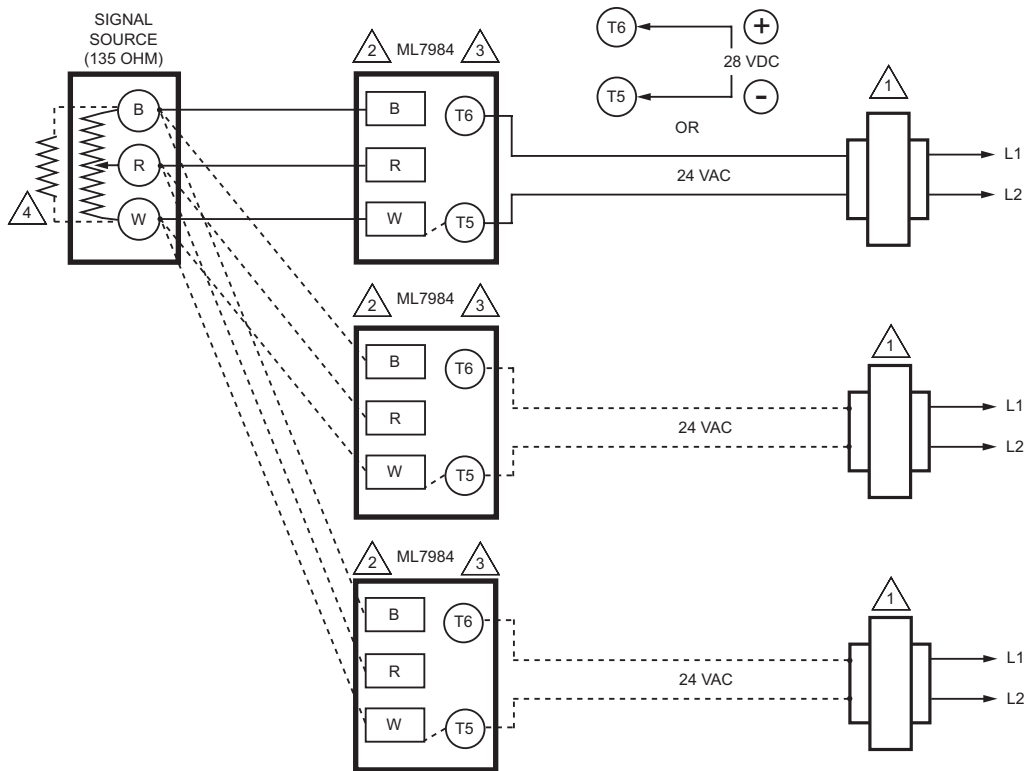
NOTES:  
TURN POWER OFF BEFORE SETTING THE DIP SWITCHES.

FOR COMMON TRANSFORMER + COMMON CONTROLLER APPLICATION, PLEASE CONSULT THE FACTORY.

M21312

**Fig 9A. Wiring for multiple Series 90 (135 Ohm Slide Wire) signal inputs ML7984 actuators.**

ML7984 VALVE ACTUATOR



- 1 ALLOW 0.5 AMPS MAXIMUM FOR EACH DEVICE.
- 2 DO NOT MIX M984/6 OR MODUTROL MOTORS WITH THE ML7984 IN THE SAME CIRCUITRY.
- 3 USE CONFIGURATION DIP SWITCHES TO SELECT DEVICE FUNCTIONS: DIRECT ACTING FUNCTION (ACTUATOR STEM MOVES UPWARDS) WITH SIGNAL INCREASES) OR REVERSE ACTING FUNCTION (ACTUATOR STEM MOVES DOWNWARDS WITH SIGNAL INCREASES).  
\*SERIES 90 (MECH/ELETRONIC) OPERATION CAN BE REVERSED WITHOUT CHANGING WIRING BY USING DIP SWITCH #3 (OPPOSITE AS SHOWN).
- 4 USE RESISTOR KIT PART #272822.

RESISTOR SELECTION CHART		
NO. OF ACTUATORS	RESISTOR VALUE	
1	RESISTOR NOT REQ'D	
2	133 OHM	ALL RESISTORS 1/4 WATT 1% M.F.
3	68.1 OHM	
4	45.3 OHM	

CONFIGURATION DIP SWITCHES LOCATED ADJACENT TO THE INPUT TERMINAL BLOCK

FUNCTION	DIP SWITCH CONFIGURATION
*SERIES 90 (MECHANICAL 135 OHMS) I.E. T991	<input type="checkbox"/> 1 <input type="checkbox"/> 2 <input type="checkbox"/> 3 <input type="checkbox"/> 4    ON <input type="checkbox"/> 1 <input type="checkbox"/> 2 <input type="checkbox"/> 3 <input type="checkbox"/> 4    OFF

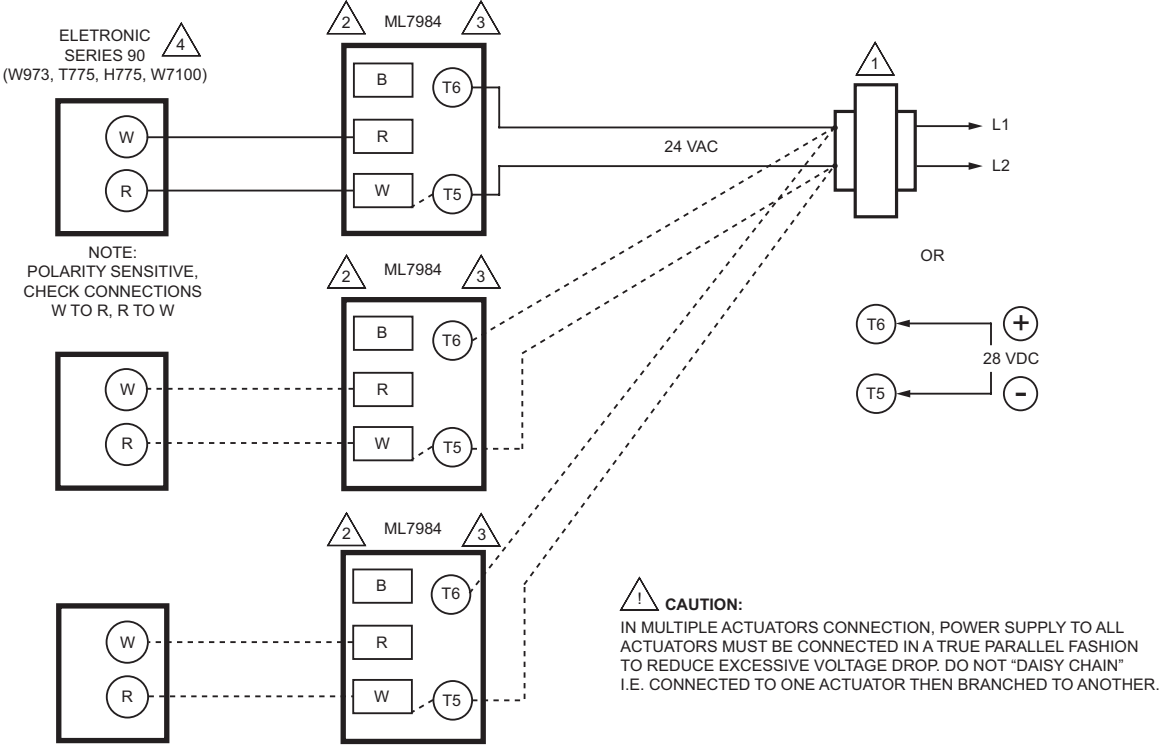
NOTES:  
TURN POWER OFF BEFORE SETTING THE DIP SWITCHES.

FOR COMMON TRANSFORMER + COMMON CONTROLLER APPLICATION, PLEASE CONSULT THE FACTORY.

M21313

**Fig 9B. Wiring for Single Series 90 (135 Ohm Slide Wire) signal input ML7984 actuators.**





- 1 ALLOW 0.5 AMPS MAXIMUM FOR EACH DEVICE.
  - 2 DO NOT MIX M984/6 OR MODUTROL MOTORS WITH THE ML7984 IN THE SAME CIRCUITRY.
  - 3 USE CONFIGURATION DIP SWITCHES TO SELECT DEVICE FUNCTIONS: DIRECT ACTING FUNCTION (ACTUATOR STEM MOVES UPWARDS) WITH SIGNAL INCREASES) OR REVERSE ACTING FUNCTION (ACTUATOR STEM MOVES DOWNWARDS WITH SIGNAL INCREASES).
- \*SERIES 90 (MECH/ELETRONIC) OPERATION CAN BE REVERSED WITHOUT CHANGING WIRING BY USING DIP SWITCH #3 (OPPOSITE AS SHOWN).
- 4 OFTEN REFERRED TO AS "SUPER MOD" OUTPUT.

CONFIGURATION DIP SWITCHES LOCATED ADJACENT TO THE INPUT TERMINAL BLOCK	FUNCTION	DIP SWITCH CONFIGURATION										
	*SERIES 90 (ELETRONIC SUPER MOD) I.E. T775	<table border="1"> <tr> <td><input type="checkbox"/></td> <td><input type="checkbox"/></td> <td><input type="checkbox"/></td> <td><input type="checkbox"/></td> <td>ON</td> </tr> <tr> <td>1</td> <td>2</td> <td>3</td> <td>4</td> <td>OFF</td> </tr> </table>	<input type="checkbox"/>	<input type="checkbox"/>	<input type="checkbox"/>	<input type="checkbox"/>	ON	1	2	3	4	OFF
<input type="checkbox"/>	<input type="checkbox"/>	<input type="checkbox"/>	<input type="checkbox"/>	ON								
1	2	3	4	OFF								

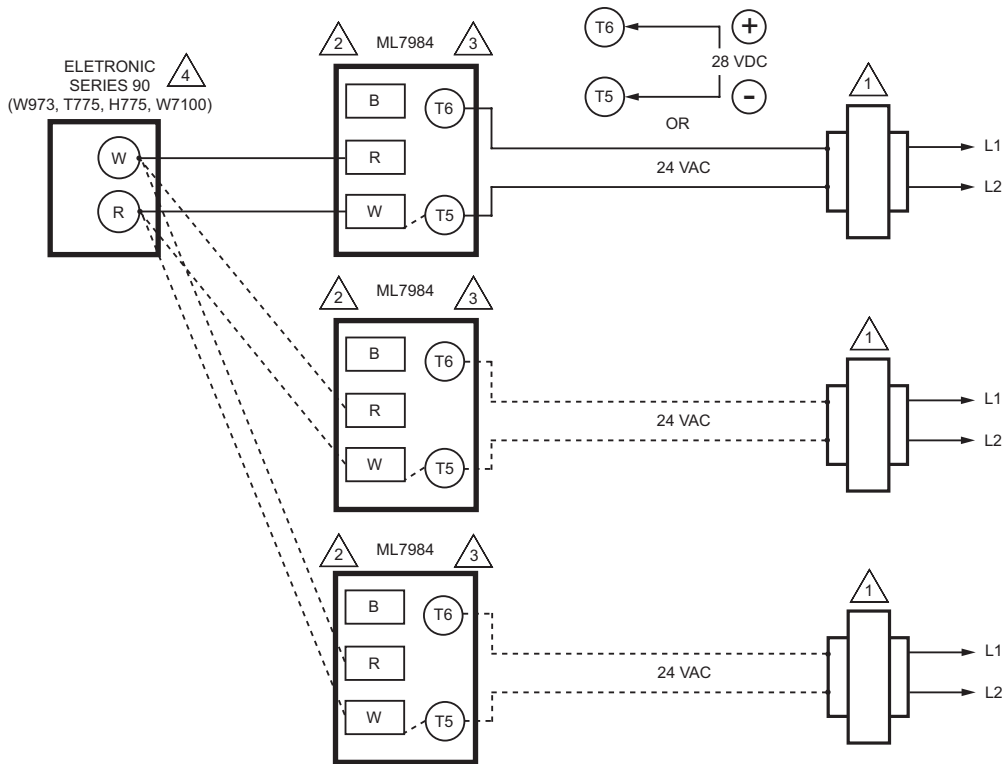
NOTES :  
TURN POWER OFF BEFORE SETTING THE DIP SWITCHES.

FOR COMMON TRANSFORMER + COMMON CONTROLLER APPLICATION, PLEASE CONSULT THE FACTORY.

M21314

**Fig 10A. Wiring for multiple Series 90 (Electronic Super Mod) signal inputs ML7984 actuators.**

ML7984 VALVE ACTUATOR



- 1 ALLOW 0.5 AMPS MAXIMUM FOR EACH DEVICE.
  - 2 DO NOT MIX M984/6 OR MODUTROL MOTORS WITH THE ML7984 IN THE SAME CIRCUITRY.
  - 3 USE CONFIGURATION DIP SWITCHES TO SELECT DEVICE FUNCTIONS: DIRECT ACTING FUNCTION (ACTUATOR STEM MOVES UPWARDS) WITH SIGNAL INCREASES) OR REVERSE ACTING FUNCTION (ACTUATOR STEM MOVES DOWNWARDS WITH SIGNAL INCREASES).
- \*SERIES 90 (MECH/ELETRONIC) OPERATION CAN BE REVERSED WITHOUT CHANGING WIRING BY USING DIP SWITCH #3 (OPPOSITE AS SHOWN).
- 4 OFTEN REFERRED TO AS "SUPER MOD" OUTPUT.

CONFIGURATION DIP SWITCHES LOCATED ADJACENT TO THE INPUT TERMINAL BLOCK

FUNCTION	DIP SWITCH CONFIGURATION
*SERIES 90 (ELETRONIC SUPER MOD) I.E. T775	<input type="checkbox"/> 1 <input type="checkbox"/> 2 <input type="checkbox"/> 3 <input type="checkbox"/> 4    ON OFF

NOTES:  
TURN POWER OFF BEFORE SETTING THE DIP SWITCHES.

FOR COMMON TRANSFORMER + COMMON CONTROLLER APPLICATION, PLEASE CONSULT THE FACTORY.

M21315

**Fig 10B. Wiring for single Series 90 (Electronic Super Mod) signal input ML7984 actuators.**

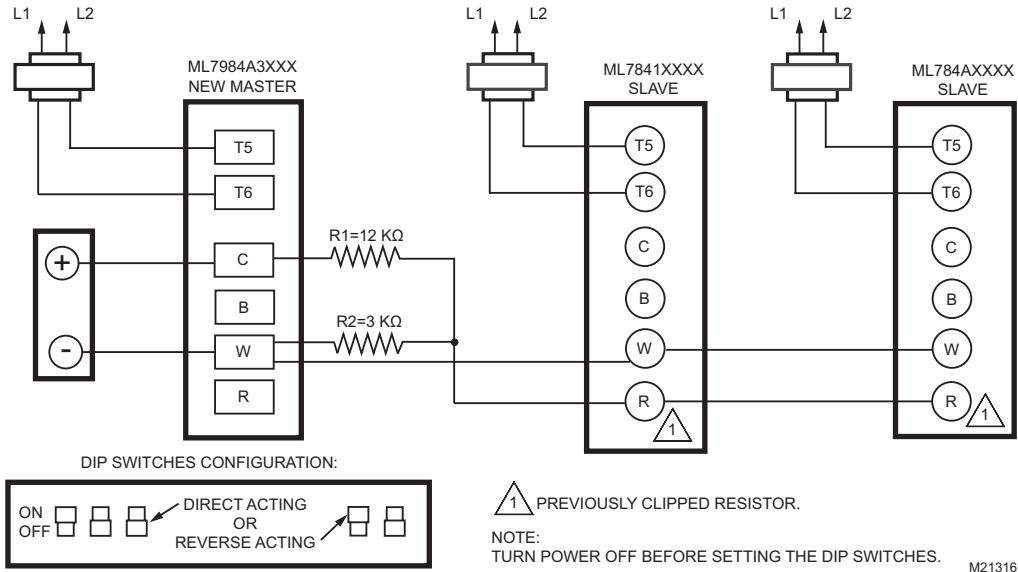


Fig 12. Wiring for replacing the SLAVE motor in 4-20 mA multiple-actuator application ( use Resistor Kit part # 272822 ).

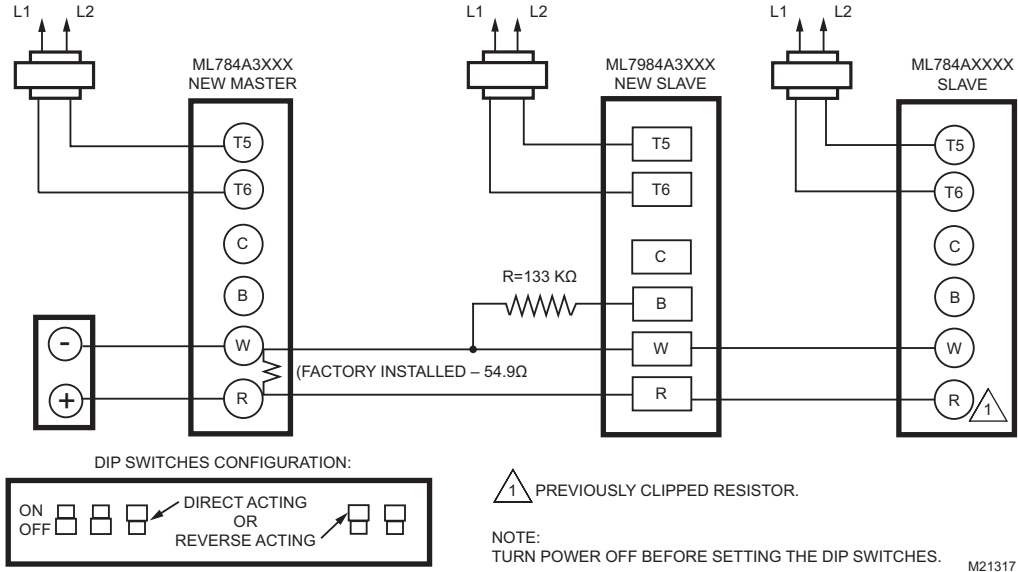


Fig 12. Wiring for replacing the SLAVE motor in 4-20 mA multiple-actuator application (use Resistor Kit part # 272822 ).

## OPERATION



### WARNING

#### Electrical Shock Hazard.

**Can cause severe injury, death or property damage.**

Disconnect power supply before beginning wiring or making wiring connections to prevent electrical shock or equipment damage.

Make certain that the voltage and frequency of the power supply correspond to the rating of the device.



### CAUTION

#### Equipment Damage Hazard.

**Installer must be a trained service technician.**

Do not electrically operate the ML7984 before assembly to the valve because damage not apparent to the installer may occur.

Do not connect 24 Vac between any signal input terminals. Device failure will result.

The recommended valve actuator power source is a class 2, 24V transformer or 28Vdc across terminals T5 & T6 (See Fig7-10). The internal circuitry provides dc power for the electronic sensing and drive motor circuits. The sensing circuits respond to the signal across the input terminals based on the configuration DIP switches setting. When correctly connected to the actuator, control signal between signal input terminals is compared to similar voltage across the actuator feedback potentiometer. When these voltages are equal, the drive motor and drive shaft are stationary. As long as the value of controlled medium remains at the controller setpoint, the circuit is in balance, and the actuator does not run. When the value of the controlled medium changes, the controller output voltage is changed causing reference voltages in the circuit to be out of balance. As the actuator moves in the direction to correct the medium change, the feedback potentiometer also moves to rebalance the circuit, and stop the actuator. At the end of the valve stroke, the actuator continues to drive and gradually develops the necessary force for positive valve close-off. The actuator motor stops automatically when the motor current reaches the predetermined current & force level.

### Automation and Control Solutions

Honeywell International Inc.

1985 Douglas Drive North

Golden Valley, MN 55422

Honeywell Limited-Honeywell Limitée

35 Dynamic Drive

Toronto, Ontario M1V 4Z9

customer.honeywell.com

## CHECKOUT

1. Make sure the valve stem is completely screwed into the actuator drive shaft with no threads showing.
2. Make sure the valve stem is locked in place with the set screw.
3. Make sure the Configuration DIP switches are set correctly.
4. With 24Vac or 28Vdc power source connected to T5 & T6, actuator operation can be verified by connecting appropriate control signal (Series 70/90 ) from controller to the signal input terminals (Fig 7-10). For direct acting: A modulating action can be obtained simply by increasing the control signal. The actuator will travel from a fully closed position (Stem down) to a fully open position ( Stem up ). On signal failure (disconnected / no signal), actuator defaults to closed position. For reverse acting: Decreasing controller signal will drive actuator from fully closed (Stem down) to a fully open position (Stem up). On signal failure (disconnect/no signal), actuator defaults to open position.
5. Operate the system (valve, actuator and controller) for several cycles to ensure proper installation.
6. When checkout is completed, return the controller to the desired setting.

NOTE: Device will ignore any input changes until it has completed its repositioning relative to the initial signal input.

## GENERAL NOTES

1. For correct valve operation, the ML7984 must be field config'd with the DIP switches which are located beside the terminal block, see wiring diagrams for details. Turn power off before setting the DIP switches .
2. There is a short delay in actuator response upon every signal change. It is to screen any unwanted incoming signals.
3. For proper operation, voltage on the T5 & T6 must not be less than 22Vac or 24Vdc during running or force generating stages.

By using this Honeywell literature, you agree that Honeywell will have no liability for any damages arising out of your use or modification to, the literature. You will defend and indemnify Honeywell, its affiliates and subsidiaries, from and against any liability, cost, or damages, including attorneys' fees, arising out of, or resulting from, any modification to the literature by you.

# Honeywell