

# PC3F1558IUF00 Hydronic Circulating 3 Speed Pump

**SPECIFICATION DATA**



## APPLICATION

The PC3F in-line, wet rotor circulator with universal flange is designed for applications in closed-loop hydronic heating and cooling systems, as well as in solar-powered systems. The pump is non-submersible and for use in dry, frost-free, well-ventilated installations.

## SPECIFICATIONS

**Rate of flow:** Up to 15 gpm (56.8 lpm)

**Pressure head:** Up to 19.4 ft (6 m)

**Voltage:**  
115 VAC +/- 10% 60Hz

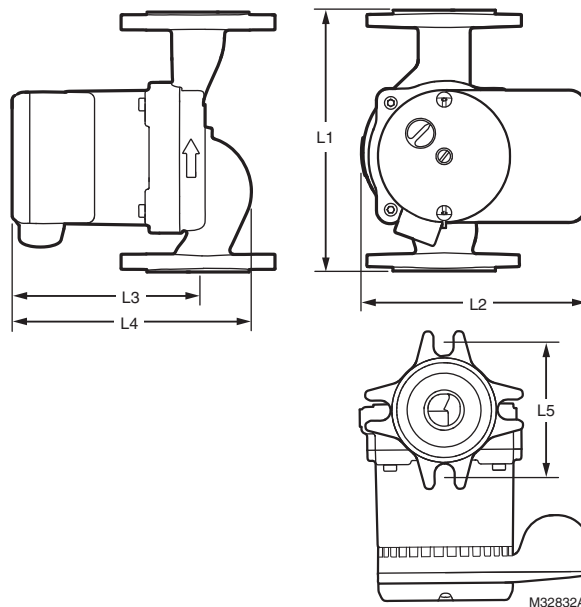
**Amperage:**  
See "Speed switching" on page 2.

**Max. Pressure:**  
145 psi (at room temperature);  
50 psi (at 200°F [93°C])

**Temperature Range:**  
Ambient temperature: 32°F to 104°F (0°C to 40°C)  
Media temperature: 14°F to 230°F (-10°C to 110°C) [to 200°F (93°C) with optional check valve installed]

**Storage Temperature:** -40°F to 100°F (-40° to 66°C)

**Standards:**  
Insulation Class F  
Temperature class: TF 95



**Fig. 1. Pump dimensions in in. (mm).**

L1	L2	L3	L4	L5
6.5 (165.5)	5.5 (140)	4.7 (118)	6.6 (167)	3.2 (80.2)

**Shipping Weight:** 7.8 lbs (3.54 Kg)



## Materials

Component	Material
Pump body	Cast iron
Impeller	Polyamide
Shaft	Ceramic
Bearing	Ceramic
Bearing plate	Stainless steel
Can	Stainless steel

**Control:** 3-step switch with manual speed selection

### Motor Protection

The motor includes an internal thermal overload protection.  
External motor protection is not required.

### Speed switching

Three speed, with manual selector.

Speed	Volts	Amps	Watts
1	115	0.28	32
2		0.48	55
3		0.74	85

### Flange Connections

Universal flange  
Bolt hole spacing: 3-5/32 in. (80.2 mm)  
Bolt holes: 1/2 in. (12.7 mm)

## Media

Clean water or water with up to 20% glycol. Up to 50% glycol may be used, but flow characteristics will differ from these specifications.

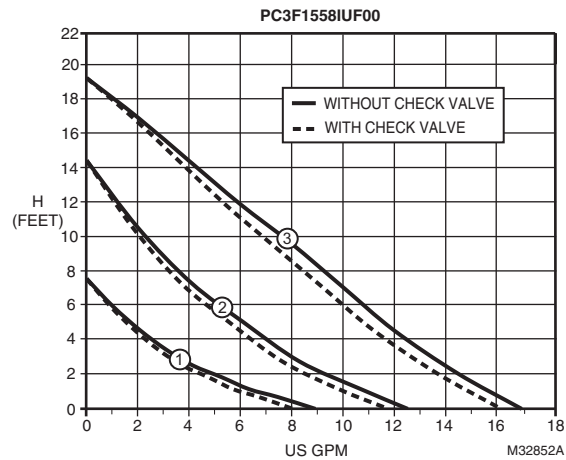


Fig. 2. Flow curve characteristics.

### Optional and Replacement Parts

Check valves: PCV100  
Flange gasket: PCG100

Table 1. Cross Reference for Pump Replacement

Honeywell			Grundfos		Taco		Bell & Gossett	Armstrong	Wilo	
Model	Pump Length	Speed	Single Speed	3-Speed	Single Speed	3-Speed			Single Speed	3-Speed
PC3F1558IUF00	6.5"	High	UP-42F UP-42F-FC	UPS15-58 High UPS15-58-FC High	005F 007F 008F 008F-IFC	00R High 00R Med	NRF-22 LR-20WR	Astro 30 Astro 30-3 Astro 50-3 Astro 230C1	Star 16	Star S16 High
		Medium	UP15-42FC	UPS15-58 Low UPS15-58-FC Low	005F-IFC 006F 006F-IFC 007F-IFC	00R Low	NRF9F/LW NRF-25 Med			Star S16 Med
		Low	UP15-18F UP15-18F-FC							

The information in this table is based on publicly available information as of the date of this publication. Honeywell is not liable if information is found to be incorrect.

If the cross referenced model uses a flow check valve, then use a flow check with the Honeywell model as well.

Each Honeywell circulator replaces both regular and rotated flange models.

## Automation and Control Solutions

Honeywell International Inc.  
1985 Douglas Drive North  
Golden Valley, MN 55422  
customer.honeywell.com

# Honeywell