



# S9200U1000 Universal Hot Surface Ignition Integrated Furnace Control

## INSTALLATION INSTRUCTIONS

### APPLICATION

The S9200U1000 Universal Integrated Furnace Control is a combustion control used in single stage gas heating and cooling appliances. Keyed wire harnesses allow the S9200U1000 to replace most furnace controls and to be applied to most heating and cooling single stage appliances.

The S9200U1000 can be used with conventional thermostats as well as the EnviraCOM™ enabled VisionPRO IAQ and FocusPRO. The S9200U1000 Universal Integrated Furnace Control is intended for residential natural or liquid propane fueled furnaces only.

The S9200U1000 EnvriaCOM™ communications capability allows its use in twinning applications and enables communication with local and remote diagnostic devices such as the QuickLook hand held device (QuickLook™ 72), EnviraLNK® web-based application and the W8735D Telephone Access Module (TAM).

Now Available with new 12x12 pin Main Harness for Goodman/Amana/Daikin furnaces (see Table 1 and 3).

### FEATURES

The S9200U1000 provides:

- **Main burner ignition using a 120V hot surface igniter.**
- **Flame rectification circuit to monitor flame presence.**
- **Monitoring of system pressure switch, high temperature limit, and rollout functions.**
- **Appliance operation/safety requirements controlled via microprocessor.**
- **Control of a standard induction-type circulating fan motor (based on appliance requirements), in response to a conventional low voltage or EnviraCOM™ thermostat.**
- **LED system status, performance and diagnostic indication.**
- **Wire harnesses provided for simple replacement of most IFCs and integration with most heating and cooling appliances.**
- **Twinning capability.**
- **EnviraCOM™ communication capability to enable local and/or remote system status, diagnostics, troubleshooting, and HVAC system control.**

### SPECIFICATIONS

**Line Voltage:** Line 120V (97-132 Vac), 60 Hz

**Low Voltage:** Line 24V (19-30 Vac), 60 Hz

**Current Draw:** 0.5A Input Current @24 Vac, plus valve load @ 24 Vac plus cooling contactor

**Igniter Current:** 5.0A resistive @ 132 Vac output

**Thermostat Anticipator Setting:** (Stage 1 only) 100mA

**Prepurge:** 30 seconds

**HSI Warm-up:** 17/27 or 30/30 seconds (1st/next trial)

depending on DIP switch S2 setting

**Trial for Ignition:** 4, 6, or 8 seconds depending on DIP

switch S2 setting

**Postpurge:** 15 seconds

**Inter-trial Purge:** 60 seconds

**Auto Restart Delay:** 60 minutes (after Soft Lockout)

**Ignition Trials:** Three; two retries if flame is not sensed on the first trial

**Flame Failure Response Time:** 2 seconds maximum @ 1μA

**LEDs:** Three LEDs provide the following:

- A red LED provides system status and faults
- An amber LED provides flame status information
- A green LED provides information about the EnviraCOM™ traffic

**Wire harnesses:**

- 12 pin, 3 x 4 connector, 7 inches; main harness (2)
- 4-pin, 4 x 1 connector, 7 inches; igniter/inducer harness (5)
- Jumper wire

**Fan Delays:**

**Heat Fan ON Delay:** 30 or 60 seconds depending on DIP switch S1 setting

**Heat Fan OFF Delay:** 60, 90, 120, or 180 seconds depending on Dip Switch S1 setting

**Cool Fan ON Delay:** 5 seconds

**Cool Fan OFF Delay:** 0 or 60 seconds (depending on DIP Switch S1 setting)

**Gas Control:** Any 24 Vac redundant, direct ignition gas control rated at 1.5A or less; Resideo VR88345M4320 recommended

**Cooling Contactor:**

Any 24 Vac contactor rated at 1.0A or less

**Induced Draft Blower:**

2.2FLA/3.5LRA maximum @ 120 Vac

**Circulator Load:** 14.5FLA/25LRA maximum @ 120 Vac

**Line Voltage Humidifier:**

1A resistive load maximum @ 120 Vac

**Electronic Air Cleaner:**

1A resistive load maximum @ 120 Vac

**Replaceable Fuse:** 3.0 Amp, Automotive type

**Operating Temperature:** -40 to 175°F (-40 to 79°C)

**Relative humidity:** 0% to 95% non-condensing

**Dimensions:** See Fig. 1 on page 7



# INSTALLATION AND CONFIGURATION OVERVIEW

The following is an overview of the steps required to install and configure the S9200U1000 Integrated Furnace Control:

1. Identify cross reference target using Table 1.
2. Remove old device and carefully identify and mark any wiring. See "Replacement" on page 6.
3. Mount the S9200U1000 Integrated Furnace Control. See "Replacement" on page 6.
4. Connect the wiring harnesses and make the wiring connections. See "Wiring" on page 7.
5. Configure the field settings and safety timings. See "Safety Timings, Field Settings, and Fixed Parameters" beginning on page 11.

## CROSS REFERENCE

### IMPORTANT

Only use the S9200U1000 on 120 Vac applications. See Table 1 for the replacement details for other manufacturers' controls. See Table 2 for replacement details for Trane controls.

**Table 1. S9200U1000 Replaces These Integrated Furnace Controls.**

SKU	Harness	Field Settings Recommendation - DIP Switch S1	Safety Timing Settings - DIP Switch S2
<b>United Technologies</b>			
1012-925A	D	SW1: ON SW2: OFF SW3 & SW4: 60/90/120/180	SW1: ON SW2: ON
1012-925B	Main Connector		
1012-925C	C Inducer & HSI Connector		
<b>Rheem/ Robert Shaw</b>			
62-24268-01	D	SW1: ON SW2: OFF SW3 & SW4: 60/90/120/180	SW1: ON SW2: ON
62-24268-02	Main Connector		
62-24268-03	C		
695-200	Inducer & HSI Connector		

**Table 1. S9200U1000 Replaces These Integrated Furnace Controls. (Continued)**

SKU	Harness	Field Settings Recommendation - DIP Switch S1	Safety Timing Settings - DIP Switch S2
<b>Nordyne</b>			
624557	D	SW1: ON SW2: OFF SW3 & SW4: 60/90/120/180	SW1: ON SW2: OFF
6245570	Main Connector		
624557-0	B		
624564	Inducer & HSI Connector		
6245640			
624591			
624591A			
624591-A			
624591-B			
624591-C			
624591-D			
624628			
624628-0			
6246310			
624631-0			
624631A			
624631-A			
624631-B			
710128A			
902378			
902696			
903106			
CAR903106			
<b>United Technologies</b>			
1012-955A	D	SW1: ON SW2: OFF SW3 & SW4: 60/90/120/180	SW1: ON SW2: OFF
1012955A	Main Connector		
	B		
	Inducer & HSI Connector		
<b>Texas Instruments</b>			
6DT-1	A	SW1: ON SW2: OFF SW3 & SW4: 60/90/120/180	SW1: OFF SW2: ON
6DT-2	Inducer & HSI Connector		
61F3			
<b>York</b>			
3101250000	A	SW1: ON SW2: OFF SW3 & SW4: 60/90/120/180	SW1: OFF SW2: OFF
031-00662	Inducer & HSI Connector		
031-00662000			
031-00662-000			
031-00662-700			
031-01140-000			
031-01140-001			
031011140002			
031-01140-002			
031-01140-701			
031-01140-702			
031.01234.000			
031-01234-700			
031-01235-000			
031-01235-700			
031-01250-000			

**Table 1. S9200U1000 Replaces These Integrated Furnace Controls. (Continued)**

**Table 1. S9200U1000 Replaces These Integrated Furnace Controls. (Continued)**

SKU	Harness	Field Settings Recommendation - DIP Switch S1	Safety Timing Settings - DIP Switch S2		
031-01250-700	A Inducer & HSI Connector	SW1: ON SW2: OFF SW3 & SW4: 60/90/120/180	SW1: OFF SW2: OFF		
031-01266-000			SW1: OFF SW2: ON		
031-01266-700			SW1: OFF SW2: OFF		
031-01267-000			SW1: OFF SW2: ON		
031-01267-001A					
031-01284-000					
031-01933-000					
031-01972-000					
031-01973-000					
031-02166-000					
031-09166-000					
031-09167-000					
331-01933-000					
331-01972-200					
331-09167-000					
43101972100					
431-01972-100					
52537074000					
52537077000					
5253733900					
CAR33101972200	A Inducer & HSI Connector	SW1: ON SW2: OFF SW3 & SW4: 60/90/120/180	SW1: OFF SW2: ON		
CAR03101973000					
CAR50A55843					
G951ADB1401					
G951ADB1401C					
G951ADB-1401C					
G951ADB1402					
G951ADB-1402					
G951AEB-1403					
P03101267001					
P031-01267-001					
PTH031011400-00					
031-00662					
<b>United Technologies</b>					
1012-83-9651B			A Inducer & HSI Connector	SW1: ON SW2: OFF SW3 & SW4: 60/90/120/180	SW1: OFF SW2: 01N
<b>Goodman/Amana<sup>1</sup></b>					
1809913	E Main Connector	SW1: ON SW2: OFF SW3 & SW4: 60/90/120/180	SW1: OFF SW2: ON		
B1809913					
B18099-13			F Inducer & HSI Connector		

SKU	Harness	Field Settings Recommendation - DIP Switch S1	Safety Timing Settings - DIP Switch S2
10207701	G Inducer & HSI Connector	SW1: ON SW2: OFF SW3: ON SW4: OFF	SW1: OFF SW2: ON
10207702			
10207703			
102077-02			
102077-03			
10207704			
102077-04			
10207706			
102077-09			
10207714			
10207719			
102077-19			
10207710		SW1: ON SW2: OFF SW3: ON SW4: OFF	SW1: OFF SW2: ON
PCBBF136	32339630-001 12x12 Main Connector (H)	S1-OFF S2-OFF S3 & S4: 60/90/120/180	SW1-SW2 Check control safety timing before setting
PCBBF140			
<b>Goodman/Daikin/Amana: GMS92,GMS96 GCS92,GCS96 GMS8, GDS8, AMSS92, AMSS96, ACSS92, ACSS96, AMS8, ADSS8, DM92SS, DC92SS, DM80SS, DD80SS</b>			
PCBBF136	32339630-001 12x12 Main Connector (H)	S1-OFF S2-OFF S3 & S4: 60/90/120/180	SW1-SW2 Check control safety timing before setting
PCBBF140			
<b>United Technologies</b>			
1012933D	E Main Connector	SW1: ON SW2: OFF SW3: ON SW4: OFF	SW1: OFF SW2: ON
1012-933D			
1012-83-9336AHSC1	F Inducer & HSI Connector		
1012-83-9337A			

**Table 1. S9200U1000 Replaces These Integrated Furnace Controls. (Continued)**

SKU	Harness	Field Settings Recommendation - DIP Switch S1	Safety Timing Settings - DIP Switch S2		
<b>Texas Instruments</b>					
41F-5	E Main Connector	SW1: ON SW2: OFF SW3 & SW4: 60/90/120/180	SW1: OFF SW2: ON		
White Rodgers					
50T35730	F Inducer & HSI Connector	SW1-SW4: Check control Field Settings before setting.	SW1-SW2: Check control Safety Timings before setting.		
50T35-730					
50T35743					
50T35-743					
ICM280					
<b>White Rodgers<sup>1</sup></b>					
50A50-110	A Inducer & HSI Connector	SW1: ON SW2: OFF SW3 & SW4: 60/90/120/180	SW1: OFF SW2: ON		
50A50-111					
50A50-112					
50A50-113					
50A50-130					
50A50-131					
50A50-142		SW1: OFF SW2: OFF			
50A50-143			SW1: ON SW2: Check Settings SW3 & SW4: 60/90/120/180	SW1: OFF SW2: ON	
50A50-205					
50A50-206					
50A50-207		G Inducer & HSI Connector	SW1: ON SW2: OFF SW3: ON SW4: OFF	SW1: OFF SW2: ON	
50A50-208		A Inducer & HSI Connector	SW1: ON SW2: OFF SW3 & SW4: 60/90/120/180	SW1: OFF SW2: OFF	
50A50-209		A Inducer & HSI Connector	SW1: ON SW2: OFF SW3: ON SW4: ON	SW1: OFF SW2: ON	
50A50-210	SW1: ON SW2: OFF SW3 & SW4: 60/90/120/180		SW1: OFF SW2: OFF		
50A50-215					
50A50-216					
50A50-229					
50A50-230					
50A50-240					
50A50-241					
50A50-245					
50A50-285				G Inducer & HSI Connector	SW1: OFF SW2: OFF SW3: ON SW4: OFF
50A50-286		A Inducer & HSI Connector		SW1: ON SW2: OFF SW3 & SW4: 60/90/120/180	SW1: OFF SW2: ON
50A50-288	G Inducer & HSI Connector	SW1: ON SW2: OFF SW3: ON SW4: OFF	SW1: OFF SW2: OFF		
50A50-295					
50A50-296					
50A50-298					

**Table 1. S9200U1000 Replaces These Integrated Furnace Controls. (Continued)**

SKU	Harness	Field Settings Recommendation - DIP Switch S1	Safety Timing Settings - DIP Switch S2
50A50-407	A Inducer & HSI Connector	SW1: ON SW2: OFF SW3 & SW4: 60/90/120/180	SW1: OFF SW2: OFF
50A50-408			SW1: OFF SW2: ON
50A50-438		SW1: Check Settings SW2: ON SW3 & SW4: 60/90/120/180	SW1: OFF SW2: OFF
50A50-472			
50A50-475		SW1: ON SW2: OFF SW3 & SW4: 60/90/120/180	
50A55-120		SW1: OFF SW2: OFF SW3: ON SW4: OFF	
50A55-143		SW1: ON SW2: 30/60 SW3 & SW4: 60/90/120/180	
50A55-241		SW1: ON SW2: OFF SW3: ON SW4: ON	SW1: OFF SW2: ON
50A55-245		SW1: ON SW2: OFF SW3 & SW4: 60/90/120/180	SW1: OFF SW2: OFF
50A55-250			
50A55-285			
50A55-286			
50A55-288	G Inducer & HSI Connector	SW1: ON SW2: OFF SW3: ON SW4: OFF	SW1: OFF SW2: ON
50A55-288-05			
50A55-843 - universal	A Inducer & HSI Connector	SW1: Check Settings SW2: Check Settings SW3 & SW4: 60/90/120/180	
50M56U-843 (Replace 80V Ignitors with 120V Q3200U)	32339630-001 12x12 Main Connector (H)	S1-Check Settings S2-Check Settings S3 & S4: 60/90/120/180	SW1: OFF SW2: OFF
	50031795-001 4x2 Inducer & H.S.I. Connector (G)		
<b>ICP</b>			
1010806	A Inducer & HSI Connector	SW1: ON SW2: OFF SW3 & SW4: 60/90/120/180	SW1: OFF SW2: OFF
1380686			SW1: OFF SW2: ON
1380698			SW1: OFF SW2: OFF
1380699			
1380-686			SW1: OFF SW2: ON
1380-699			
<b>Lennox</b>			
X445901	A Inducer & HSI Connector	SW1: ON SW2: OFF SW3 & SW4: 60/90/120/180	SW1: OFF SW2: OFF
1214201			SW1: ON SW2: OFF SW3: ON SW4: OFF

**Table 1. S9200U1000 Replaces These Integrated Furnace Controls. (Continued)**

SKU	Harness	Field Settings Recommendation - DIP Switch S1	Safety Timing Settings - DIP Switch S2
<b>Other Manufacturers</b>			
X1312066010	A Inducer & HSI Connector	SW1: ON SW2: OFF SW3 & SW4: 60/90/120/180	SW1: OFF SW2: OFF
10334901	A Inducer & HSI Connector	SW1: ON SW2: OFF SW3 & SW4: 60/90/120/180	SW1: OFF SW2: OFF
350486			
8068142			
8068561			
8068563			
99958174			
99958175			

<sup>1</sup>Wiring harness G should be used if the control being replaced has a 2-pin inducer/igniter connector instead of a 4-pin inducer/igniter connector.

**Table 2. Replacing Trane Controls.**

SKU	Harness	Field Settings Recommendation - DIP Switch S1	Safety Timing Settings - DIP Switch S2			
<b>Trane</b>						
CNT1309	Add jumper on harness connector (Roll-out switch)  A Inducer & HSI Connector	SW1: Check Settings SW2: ON SW3 & SW4: 60/90/120/180	SW1: OFF SW2: ON			
CNT1616						
CNT1848						
CNT1849						
CNT2182						
CNT2183						
CNT2181						
CNT2789						
CNT03740						
D330927P01					SW1: ON SW2: OFF SW3 & SW4: 60/90/120/180	SW1: OFF SW2: OFF
D330930P01		SW1: OFF SW2: OFF SW3 & SW4: 60/90/120/180	SW1: OFF SW2: ON			
D330934P01						
D340035P01						
D340354P01						
D340774P01						
D340790P01		SW1: Check Settings SW2: ON SW3 & SW4: 60/90/120/180	SW1: OFF SW2: OFF			
D341122P01						
D341235P01		SW1: ON SW2: OFF SW3: ON SW4: OFF				
<b>White Rogers</b>						
50A50-571	Add jumper on harness connector (Roll-out switch)  A Inducer & HSI Connector	SW1: ON SW2: OFF SW3 & SW4: 60/90/120/180	SW1: OFF SW2: OFF			
50A55-571						
50A50-473						
50A50-474						
50A50-405						
50A50-406						
50A50-471						
50A55-474					SW1: OFF SW2: OFF SW3: ON SW4: OFF	SW1: OFF SW2: OFF
50A55-438					SW1: Check Settings SW2: OFF SW3 & SW4: 60/90/120/180	SW1: OFF SW2: OFF

NOTE: To replace controls in Table 2, a jumper (included with harness kit) may be required to short out the rollout switch on the main 12-pin connector plug from the furnace. The rollout switch is located between pins 5 and 11 on the 12-pin connector. Refer to Table 3 and Fig. 2 on page 7.

## INSTALLATION

### When Installing This Product...

1. Read these instructions carefully. Failure to follow them could damage the product or cause a hazardous condition.
2. Check the ratings given in these instructions to make sure the integrated furnace control is suitable for your application.
3. Installer must be a trained, experienced service technician.
4. After installation is complete, check out operation as provided in these instructions.

### WARNING

**Fire or Explosion Hazard.**  
Can cause severe injury, property damage, or death.

1. The integrated furnace control can malfunction if it gets wet, leading to accumulation of explosive gas.
  - Never install where water can flood, drip or condense on the control.
  - Never try to use an integrated furnace control that has been wet—replace it.
2. Liquefied petroleum (LP) gas is heavier than air and will not naturally vent upward.
  - Do not operate electric switches, lights, or appliances until you are sure the appliance area is free of gas.

### WARNING

**Electrical Shock Hazard.**  
Can cause severe injury, property damage, or death.

1. Make sure to turn power off to the furnace. Failure to do this may result in electrical shock or equipment damage
2. Disconnect power supply before beginning wiring or making wiring connections to prevent electrical shock or equipment damage.

### CAUTION

**Equipment Damage Hazard.**  
Water can cause equipment damage or malfunction.

If furnace control must be mounted near water or moisture, provide suitable waterproof enclosure.

## Replacing An Existing Furnace Control

### Location

In most cases the integrated furnace control is mounted on a panel within the circulator compartment of the furnace. The location must provide:

- Access to the field wiring terminals.
- Operating ambient temperatures between -40°F and 175°F (-40°C and 79°C).
- Relative humidity below 95% non-condensing.
- Protection from water, steam or corrosive chemicals that are used to clean the appliance.
- Protection from dripping water, such as from an overflowed humidifier or from condensation.
- Protection from dust or grease accumulation.

### IMPORTANT

*Be sure to identify the safety timings on the existing furnace control before any wires are disconnected. If this information is unavailable, check with the furnace manufacturer for recommended settings.*

### Replacement

To replace the existing furnace control:

1. Remove the access panel to gain access to the furnace control.
2. Unclip the wiring harness from the furnace control and identify/mark all wires not connected to a wiring plug.
3. Once the furnace control is free from all wiring, either unclip or unscrew the furnace control from the base plate.
4. Select the location within the appliance most suitable so that all existing cables or required harnesses will reach without straining either the cables or the plugs. We recommend mounting the S9200U1000 in the same location as the old furnace control, if possible. Ambient temperature at the S9200U1000 must be within the control specifications.
5. The S9200U1000 can be mounted vertically in any orientation. See Fig. 4 on page 9 for typical mounting orientation.
6. Secure the board to the mounting panel base plate with the two sheet metal screws inserted through the eyelets located on the edges of the board. See Fig. 1 on page 7.
7. From Table 1 on page 2, identify the wiring harness(es) required for the quick installation of the S9200U1000. The provided wiring harness adapters are intended to connect to the existing wiring harness. See Table 3 on page 7 and Table 4 on page 8 for pin-out information for the provided wiring harnesses.
8. Connect the appropriate end of the wiring harness to the 12-pin plug on the S9200U1000 (if required) and the other end to the existing wiring plug (previously removed from the existing furnace control). Connect the appropriate igniter/inducer harness (if required) to the 4 pin plug and the other end to either the existing plug or spade connectors (previously removed from the existing furnace control).

### IMPORTANT

*The provided wiring harnesses are keyed. Do not force the connection if the plug on the harness and receptacle on the S9200U1000 do not easily snap closed.*

9. Connect the quick-connect cables to the appropriate contacts on the S9200U1000
10. Set the Safety timings as required using switch S2. Refer to Table 10 on page 12 for switch setting information.
11. Set the field selectable timings as required using switch S1. Refer to Table 9 on page 11 for setting information.
12. Review the connections to insure no wiring is loose and there is a proper earth ground to the appliance chassis.
13. Turn power ON to the appliance. See "Checkout" on page 13 and the control sequence diagrams, Fig. 9-Fig. 11 beginning on page 18.

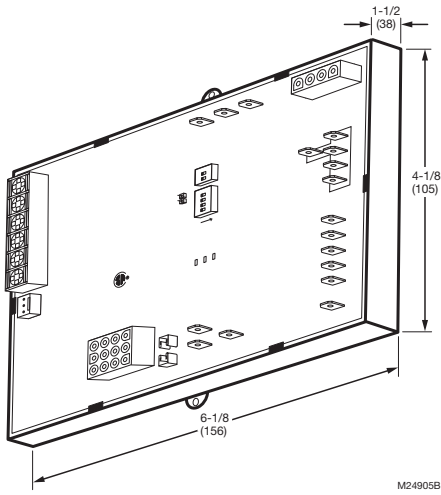


Fig. 1. S9200U1000 dimensions in inches and (mm).

See "Wiring Connections" on page 8 for wiring connections, but also refer to furnace manufacturer instructions, if available.

NOTE: The Safety Timing jumper is described in Table 7 on page 11.

**IMPORTANT**

The common ground required for the S9200U1000 and the main burner must be supplied through the plug connected to the Main Harness (12-pin connector) receptacle on the board.

**Wiring Harnesses**

The following describes the main and igniter/inducer harness connections.

**MAIN HARNESS PLUG CONNECTIONS**

The following describes the harness plug connectors for the main harness. See Table 3 and Fig. 2.

**IMPORTANT**

The common ground required for the S9200U1000 and the main burner must be supplied through the plug connected to the Main Harness (12-pin connector) receptacle on the board.

**Wiring**

**WARNING**

**Fire or Explosion Hazard.**  
Can cause severe injury, property damage, or death.  
Make sure the proper wiring harness is used. Check the cross reference tables (Table 1 on page 2) and review the appliance wiring schematic.

The S9200U1000 is intended to connect to the appliance with the aid of wiring harnesses. Carefully review the wiring harness selection table for the correct wiring harnesses. See Table 1 on page 2.

Check the wiring diagram (Fig. 4 on page 9) and the diagram furnished by the appliance manufacturer for all terminal designations. Table 5 and Table 6 beginning on page 8 describe the wiring connections for Class 2 and Class 1 installations.

Typical wiring connections are shown in Fig. 5 on page 10.

Check the wiring diagrams furnished by the appliance manufacturer, if available, for circuits that differ from the general hookup shown. Carefully follow any special instructions affecting the general procedures outlined below.

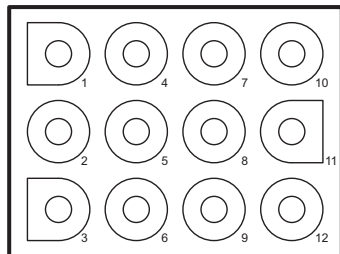
All wiring must comply with local codes and ordinances.

See "Wiring Harnesses" for the main and igniter/inducer harness plug connections and details.

Table 3. Main Harness Plug Connector 12-pin (Class 2, Low Voltage).

Pin #	Function
1	High Limit Out
2	Flame Sense - Flame Signal Input (90 Vac, current limited)
3	24 Vac Hot
4	Not Used <sup>1</sup>
5	Rollout Switch Out
6	24 Vac Common
7	High Limit In + Pressure Switch Out
8	Chassis Ground
9	Main Valve Common
10	Pressure Switch In
11	Rollout Switch In
12	Main Valve

<sup>1</sup> Utilize 12x12 32339640-001 Harness (H) when Furnace Harness Pressure Switch Out I/O is located on Pin 4 and not on Pin 7.



M24906

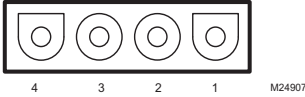
Fig. 2. S9200U1000 Main harness plug configuration.

**IGNITER/INDUCER HARNESS PLUG CONNECTIONS**

The following describes the harness plug connectors for the igniter/inducer. See Table 4 and Fig. 3.

**Table 4. Igniter/Inducer Harness Plug Connector 4-pin (Class 1, Line Voltage).**

Pin #	Reference Lettering	Function
1	IND-HOT	Inducer 120 Vac
2	IGN-HOT	Igniter 120 Vac
3	IND-NEUTRAL	Inducer Neutral
4	IGN-NEUTRAL	Igniter Neutral



**Fig. 3. S9200U1000 Igniter/Inducer harness plug configuration.**

**Wiring Connections**

Table 5 describes the wiring connections for Class 2 voltages.

Table 6 describes the wiring connections for Class 1 voltages.

**Table 6. Wiring Connections (Class 1, Line Voltage).**

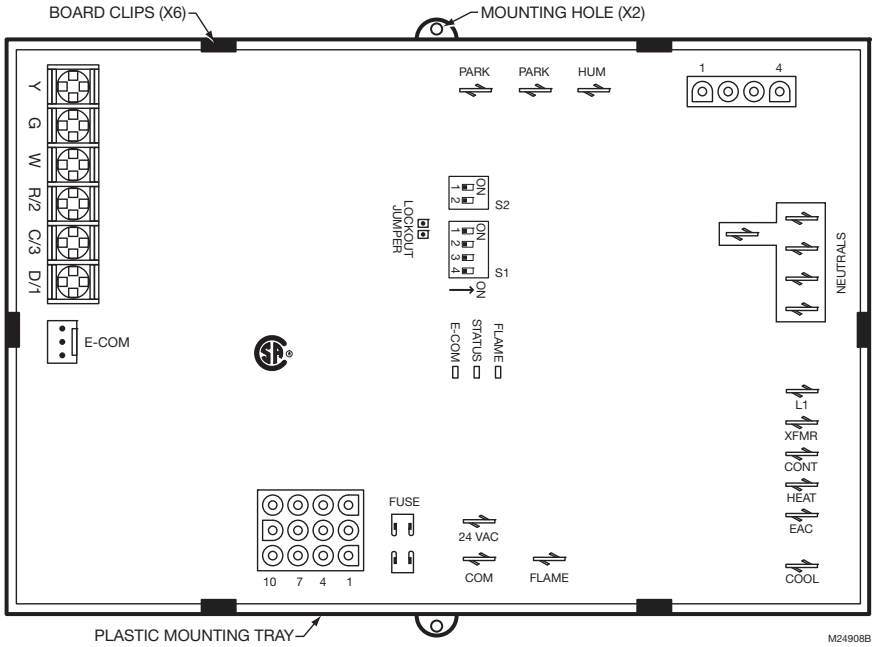
Terminal Type	Connection (see Fig. 4 on page 9)	Connects S9200U1000 to:
4-pin connector (male terminals)	Igniter-Inducer Harness Connector	See Table 4
Straight Spade Quick-connect	COOL	Circulator cool speed output
	EAC	Electronic Air Cleaner 120 Vac output
	HEAT	Circulator heat speed output
	CONT	Continuous circulation
	XFMR	Transformer 120 Vac output
	L1	Line 120 Vac hot power supply
	HUM	Humidifier 120 Vac output
	PARK	Circulator Motor Park 120 Vac input
Straight Spade Quick-connect	Neutrals	Any neutral connector can be used for: <ul style="list-style-type: none"> <li>• 120 Vac Input neutral</li> <li>• Transformer neutral</li> <li>• Electronic air cleaner neutral</li> <li>• Circulator neutral</li> <li>• Humidifier neutral</li> </ul>
	Flame	Flame Sense - Signal input (90 Vac, current limited)

See Fig. 5 on page 10 for wiring connection locations on the board.

**Table 5. Wiring Connections (Class 2, Low Voltage).**

Terminal Type	Connection (see Fig. 4 on page 9)	Connects S9200U1000 to:
6-position screw terminal (#5 screw)	D/1 (optional)	EnviraCOM™ data connection (if used)
	C/3	24 volt ground
	R/2	24 volt hot - Thermostat
	W	Thermostat heat input
	G	Thermostat continuous fan input
Polarized 3-pin connector	Y	Thermostat cool input / cooling contactor output for EnviraCOM™ thermostats
	E-COM	EnviraCOM™ diagnostic or communications device
12-pin connector	Main Harness Connector	See Table 3 on page 7
Straight Spade Quick-connect	24 Vac	Transformer - 24 Vac
	COM	Transformer - Common
Fuse Block	Fuse	Fuse - Automotive Type - 3.0 Amps





**Fig. 4. Typical mounting orientation showing wiring connections and components of the S9200U1000 Universal Integrated Furnace Control.**

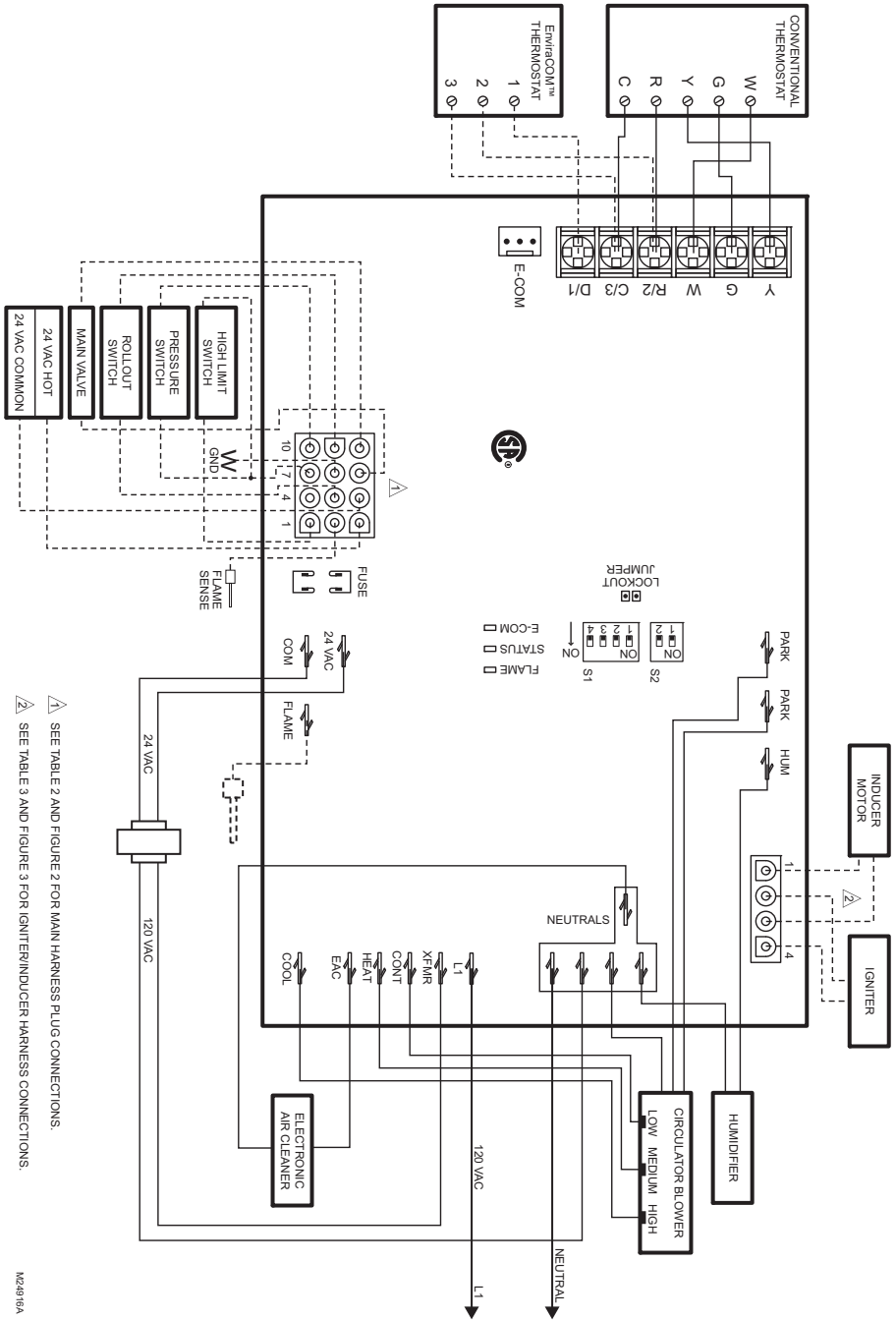


Fig. 5. Typical wiring connections for S9200U1000 Universal Integrated Furnace Control.

# SAFETY TIMINGS, FIELD SETTINGS, AND FIXED PARAMETERS

## ⚠ WARNING

**Fire or Explosion Hazard.**  
**Can cause severe injury, property damage, or death.**  
 Field Settings and Safety timings must comply with OEM specifications. Do not extend Safety timings beyond those recommended. Failure to follow recommended safety timings may result in equipment damage, bodily injury, or death!

### IMPORTANT

*Extending the Safety timing beyond that recommended by the appliance OEM may result in unburned gas accumulation in the appliance which can cause an explosion!*

## Safety Timing Lockout Jumper

The S9200U1000 is equipped with a Safety Timing Lockout Jumper intended to make safety timings permanent once they are selected. To insure that resetting the Safety Timing DIP switches (Table 10 on page 12) can not cause a hazardous condition, remove the Safety Timing Lockout Jumper once the Safety Timing DIP switch position selection is made.

In case the S9200U1000 Safety Timing Lockout Jumper (see Table 7) is not removed after the DIP switch selection is made, the DIP switch settings will be permanently stored in the control's non-volatile memory after the 10th full cycle each time the DIP switch is set. Once permanently stored, the Safety Timings can not be changed.

See See "DIP Switch S2 - Safety Timings" on page 12.

**Table 7. Safety Timing Lockout Jumper.**

<b>Jumper (see Fig. 4 on page 9)</b>	<b>Remove jumper to enable</b>
Lockout	After setting the Safety Timing DIP switch (S2), remove the jumper to permanently store the settings into the non-volatile memory of the S9200U1000.

## Field Settings

The field settings can be changed whenever necessary. The change takes effect for the next situations which are being influenced by that change. If for example a particular delay is in progress and settings are changed, the current delay setting is not influenced by that change. The field settings are not considered safety critical therefore, changes to these parameters can be made at any time during and after installation.

See "DIP Switch S1 - Field Settings" on this page.

## Fixed Parameters

Fixed parameters are those settings which may not be adjusted at any time.

Table 8 describes the S9200U1000 Fixed parameters.

**Table 8. Fixed Parameters.**

Fixed Parameter	Setting
Pre-Purge	30 seconds
Inter-trial Purge	60 seconds
Postpurge	15 seconds
Cool Fan ON Delay	5 seconds
Ignition Retries	2 retries (3 retries total)
Ignition Recycles	3 recycles (4 cycles total)
Auto Restart Delay	1 hour
Flame Failure Response Time	2 seconds (maximum)
Fault De-bouncing Time	2 seconds
Compressor Short Cycle Delay	5 minutes
False Flame Recognition Period	20 seconds
Heat Cycles to Safety Timings Selection Lock	10 cycles

## DIP Switch (S1 and S2) settings

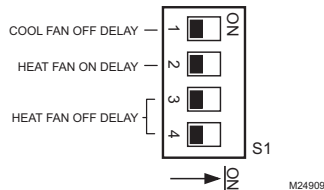
The following field and safety parameters may be set using DIP switches S1 and S2. Refer to Fig. 4 on page 9 for the location of the two DIP switch blocks.

### DIP Switch S1 - Field Settings

Table 9 and Fig. 6 describe the S1 DIP switch settings. The default factory settings are all OFF and are shown in bold.

**Table 9. DIP Switch (S1) Settings - Field Settings.**

DIP Switch S1 Descriptions	Individual Switches			
	SW1	SW2	SW3	SW4
Cool Fan OFF Delay - 0 seconds	OFF			
Cool Fan OFF Delay - 60 seconds	ON			
Heat Fan ON Delay - 30 seconds		OFF		
Heat Fan ON Delay - 60 seconds		ON		
Heat Fan OFF Delay - 120 seconds			OFF	OFF
Heat Fan OFF Delay - 180 seconds			OFF	ON
Heat Fan OFF Delay - 90 seconds			ON	OFF
Heat Fan OFF Delay - 60 seconds			ON	ON



**Fig. 6. DIP Switch (S1) shown with factory default settings; all OFF.**

### COOL FAN OFF DELAY TIMING

The Cool Fan Off Delay is the time period after the call for cooling has ended and before the deactivation of the blower motor at the cool speed. The timing is factory-set to zero (0) seconds. To change it, first disconnect the power, then set SW1 on DIP switch S1 according to Table 9 on page 11.

**HEAT FAN ON DELAY TIMING**

The Heat Fan On Delay is the period between entering the Trial for Ignition period and the activation of the blower motor at the heat speed (if the Trial for Ignition is successful). The default factory setting is 30 seconds. To change it, first disconnect the power, then set SW2 on DIP switch S1 according to Table 9 on page 11.

**HEAT FAN OFF DELAY TIMING**

The Heat Fan Off Delay is the period between the loss of supervised main burner flame after the call for heat has ended and the deactivation of the blower motor at the low heat speed. The timing is factory-set to 120 seconds. To change it, first disconnect the power, then set SW3 and SW4 on DIP switch S1 according to Table 9 on page 11.

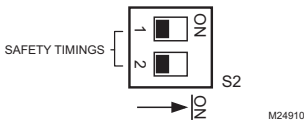
**DIP Switch S2 - Safety Timings**

Table 10 and Fig. 7 describe the S2 DIP switch settings. The default factory settings are all OFF and are shown in bold.

**Table 10. DIP Switch (S2) Settings - Safety Timings.**

DIP Switch S2 Descriptions	Individual Switches	
	SW1	SW2
HSI Igniter Warm-up Time = 17/27 <sup>a</sup> seconds Trial For Ignition = 4 seconds: - Ignition Activation Period = 1 second - Flame Recognition Period = 3 seconds  This is the default setting.	OFF	OFF
HSI Igniter Warm-up Time = 17/27 <sup>a</sup> seconds Trial For Ignition = 6 seconds: - Ignition Activation Period = 3 seconds - Flame Recognition Period = 3 seconds	OFF	ON
HSI Igniter Warm-up Time = 30/30 seconds Trial For Ignition = 6 seconds: - Ignition Activation Period = 3 seconds - Flame Recognition Period = 3 seconds	ON	OFF
HSI Igniter Warm-up Time = 30/30 seconds Trial For Ignition = 8 seconds: - Ignition Activation Period = 5 seconds - Flame Recognition Period = 3 seconds	ON	ON

<sup>a</sup> The shorter of the two periods listed (17 seconds) applies to the first trial only, while the longer period (27 seconds) applies to the subsequent trials during the same call for heat.



**Fig. 7. DIP Switch (S2) shown with factory default settings; all OFF.**

**THERMOSTAT TYPE**

The S9200U1000 will accept either a conventional 24 Vac, 1-Stage Heat, 1-Stage Cool thermostat or the VisionPRO or FocusPRO EnviraCOM™ enabled thermostats.

**NOTE:** When using a conventional 24 Vac thermostat, set the Heat Anticipator to 0.1 A.

**TWINNING**

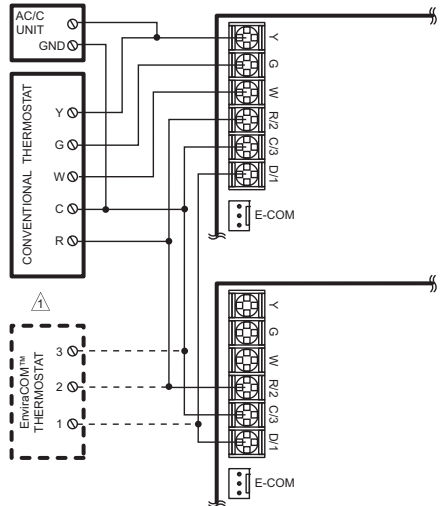
EnviraCOM™ communication between two S9200U1000 controls permits the controls' use in Twinning applications. When a second S9200U1000 is sensed on the EnviraCOM™ Bus, each S9200U1000 control proceeds into Twinning Mode. If one of the two S9200U1000 controls is removed from a Twinning application, the remaining control reverts back to standard operation only after power to the control is cycled.

For twinning applications, Resideo recommends that DIP switch S1 be set to the same positions on each device so that the heat/cool fan on/off delay times are equal for both devices. Otherwise, the shorter Fan On Delay and the longer Fan Off Delay times are used for both devices.

See Fig. 8 for typical wiring connections.

**IMPORTANT**

1. For Twinning applications, two S9200U1000 controls must be used.
2. Always power down appliances when wiring the controls in Twinning applications. Failure to do so may result in delays in the control's registration on the EnviraCOM™ Bus.
3. Fan timing changes may be detected when two appliances are Twinned.



⚠ USE ONLY ONE THERMOSTAT WITHIN THE SYSTEM.

**Fig. 8. Typical wiring for Twinning application.**

**CHECKOUT**

Check out the control system:

- At initial installation of the appliance.
- As part of regular maintenance procedures.
- As the first step in troubleshooting.
- Any time work is done on the system.

## LED Indicators

The S9200U1000 provides three indicating LEDs; see Fig. 4 on page 9 for location on board:

- Flame - Amber: indicates flame status
- Status - Red: indicates general system status and error codes.
- E-COM - Green: indicates EnviraCOM™ bus activity

See "Troubleshooting" on page 20 for information about specific flash codes as referenced in the checkout procedures.

Use the following procedures only for the integrated furnace control; see individual component instructions for additional checkout procedures.

# I. CHECK NORMAL OPERATION

## Check Conventional 24 Vac Thermostat

1. Turn on power to the appliance.
2. After power is switched on, the furnace control can accept a W request after approximately 20 seconds, and Y and G requests after approximately 10 seconds.
3. Set the thermostat to call for heat. Make sure the S9200U1000 control sequences the system as indicated in Fig. 9 on page 18.
4. Set the thermostat below the room temperature to end the call for heat. The burner should go out; the induced draft fan should provide Postpurge time (15 seconds); and after the delay time, the indoor fan should stop.

There are three modes of operation. They are discussed in this next section in the following order:

1. Normal Heat Mode
2. Normal Cooling Mode – see page 15
3. Fan Mode – see page 15

## Normal Heat Mode

Refer to Fig. 9 on page 18 for the Heat Mode control sequence diagram. The following describes the operation during a call for heat and the heat cycle.

### Call for Heat

A call for heat is signaled by the thermostat closing the contacts between R/2 and W or an EnviraCOM™ heat demand. Requests for heat are ignored if there is a call for cooling at the Y terminal.

Upon a call for heat:

- The S9200U1000 conducts a safe start check that consists of an internal hardware/software self-check and verification there is no main burner flame present.
- The S9200U1000 verifies the Limit and Rollout switch circuits are closed.
- The S9200U1000 verifies the pressure switch circuit is open.
- The S9200U1000 energizes the inducer.
- After the Pressure Switch closes, Prepurge begins.
- After the completion of Prepurge, the HSI is energized for the Igniter Warm-up Period.
- When the Igniter Warm-up Period expires, the gas valve is energized and the Trial for Ignition begins.
- During the Ignition Activation Period, both the HSI element and the gas valve remain energized.
- After Ignition Activation, the HSI is de-energized and the gas valve remains energized for the Flame Recognition Period.
- The Heat Fan On Delay is started upon entering Trial for Ignition.
- When flame is sensed during Trial for Ignition, the S9200U1000 de-energizes the HSI and proceeds to normal run mode operation.
- Once the Heat Fan On Delay has expired, the circulator is energized on heat speed.

### Call for Heat Satisfied

When the call for heat has ended:

- The gas valve is de-energized.
- The Postpurge and circulator fan off delay timings begin when the loss of flame is detected.
- The inducer is de-energized when the Postpurge Period is completed.
- The circulator is de-energized when the circulator fan off delay has expired.

## Ignition Retry

When flame is not sensed during the Trial for Ignition or is lost less than 10 seconds after exiting Trial for Ignition:

- The gas valve is de-energized.
- The inducer remains energized during the Inter-purge Period.
- When the Inter-purge Period expires, a new Trial for Ignition is started again for up to a maximum of two additional trials.
- After the third Trial for Ignition has failed to light the burner, the S9200U1000 proceeds to the Inter-purge Period followed by the Soft Lockout, where it remains for the Auto Restart Delay before beginning another set of ignition sequences.
- The retry count is cleared if flame is sensed for longer than 10 seconds after exiting Trial for Ignition.

## Ignition Recycle

When flame is established during Trial for Ignition, maintained for at least 10 seconds, and then lost:

- The gas valve is de-energized.
- The inducer remains energized during the Inter-purge Period.
- A new Trial for Ignition is started when the Inter-purge Period expires.
- A maximum of three recycles are allowed on a single call for heat before the control proceeds to Soft Lockout. The recycle count is not cleared until the current demand for heat is satisfied or the S9200U1000 has just exited Soft Lockout or the S9200U1000 is in run mode continuously for one hour.

## Rollout Circuit Operation (during Heat cycle)

If the rollout circuit opens during a heating cycle:

- The gas valve is immediately de-energized.
- The inducer is energized.
- The circulator is energized at heat speed.
- An LED error code is flashed, which indicates the rollout circuit has opened. See Table 12 on page 21.
- An EnviraCOM™ alarm is active and sent on the bus. See Table 14 on page 23.
- Thermostat requests for heat are ignored.

The S9200U1000 remains in this state until the rollout circuit closes.

Once the rollout circuit has closed:

- The inducer is de-energized after the Post-purge Period.
- The circulator is de-energized after the selected heat off delay.
- The LED continues to flash the rollout switch error code.
- Thermostat requests for heat are still ignored.

The S9200U1000 remains in this state until power is cycled, at which time the S9200U1000 resumes normal operation.

## Limit Switch Circuit Operation (during Heat cycle)

If the limit circuit opens during a heating cycle:

- The gas valve is immediately de-energized and the inducer is de-energized after the Post-purge Period.
- The LED flashes an error code, indicating the limit circuit is open. See Table 12 on page 21.

- An EnviraCOM™ alarm is active and sent on the bus. See Table 14 on page 23.
- The circulator is immediately energized or remains energized at the heat speed.
- If the limit switch opens during the Trial for Ignition period, the trial is treated as a failed one (next trial is retry).
- If the limit switch opens in run mode, the sequence is treated as a failed one (next trial is recycle).

The S9200U1000 remains in this state until the limit circuit closes. Once the limit circuit closes:

- If the limit circuit was open for less than three minutes, a new ignition sequence is started and the circulator will remain energized for the selected fan off delay. If the burner is lit before expiration of the selected fan off delay, the fan off timing is stopped and the circulator remains energized.
- If the limit circuit was open for longer than three minutes, the circulator will remain energized at heat speed for the selected heat fan off delay, and the S9200U1000 will proceed to Soft Lockout, where it will remain for the Auto Restart Delay or until a thermostat reset is detected.

## Pressure Switch Operation (during Heat cycle)

- If a call for heat is initiated and the pressure switch is closed before the ignition sequence has begun, the S9200U1000 will wait five seconds and flash an LED error code, which indicates the pressure switch is stuck closed. An EnviraCOM™ alarm is active and sent on the bus (see Table 14 on page 23). As soon as the pressure switch opens the error code clears and the ignition sequence proceeds as normal.
- If the ignition sequence has begun and the pressure switch fails to close within 150 seconds of energizing the inducer, the S9200U1000 de-energizes the inducer, starts flashing the "Pressure Switch Failed Open" error code and returns to Idle Mode for five minutes before beginning the ignition sequence again (see Table 12 on page 21). An EnviraCOM™ alarm is active and sent on the bus (see Table 14 on page 23).
- This process continues indefinitely and an error code indicating a failed pressure switch flashes until the pressure switch finally closes or the call for heat ends.
- If the pressure switch opens during Pre-purge or Igniter Warm-up, the S9200U1000 will de-energize the igniter and leave the inducer energized for a maximum of 60 seconds to try and re-close the switch. If the switch closes, the ignition cycle will resume from the beginning of Pre-purge again. If the switch does not re-close, the S9200U1000 behaves as if the pressure switch had not closed after the inducer turned on.
- If the pressure switch opens for longer than two seconds during Trial for Ignition or opens for longer than 50 milliseconds during normal fire operation and flame is lost, the S9200U1000 proceeds to Inter-purge before attempting the ignition sequence again. An error code indicating the pressure switch failed open flashes until the burner is lit again or the heat demand is removed (see Table 12 on page 21). An EnviraCOM™ alarm is active and sent on the bus (see Table 14 on page 23).
- If the pressure switch opens for longer than two seconds during Inter-purge, the S9200U1000 proceeds to the "Wait for Pressure Switch to Close" state.

## Hot Surface Igniter (HSI) Control

The Hot Surface Igniter is directly powered by line voltage input. The HSI warm-up time is shorter for the first ignition trial when using the 17/27 second warm-up time setting and longer for subsequent trials. See Table 10 on page 12.

## Normal Cooling Mode

A call for cooling is signaled by:

- The shorting of R/2 to Y.
- The shorting of R/2 to Y and G simultaneously.
- An EnviraCOM™ cool demand of any stage.

Refer to Fig. 10 on page 19 for the control sequence diagram.

## Fan Mode

In fan mode operation:

- If the S9200U1000 is not currently servicing another circulator request, the circulator energizes at the heat speed when R/2 is shorted to G and de-energizes when the request is removed. G functionality can also be received as an EnviraCOM™ message.
- If the S9200U1000 is servicing a fan request and a call for cool occurs, the circulator switches to the cool speed after the Cool Fan On Delay.
- If the S9200U1000 is servicing a fan request and a call for heat occurs, the circulator remains energized at the heat speed.

Refer to Fig. 11 on page 19 for the control sequence diagram.

## Humidity Control

The line voltage humidifier output energizes anytime the inducer energizes.

## Electronic Air Cleaner

The line voltage EAC output energizes anytime the circulator is energized.

## II. CHECK SAFETY SHUTOFF OPERATION

1. Shut off the gas supply at the manual gas valve ahead of the appliance.
2. Set the thermostat to call for heat. System should operate as indicated in Fig. 9 on page 18.
3. Following lockout, open the manual gas valve and make sure no gas is flowing to the burner.

## Error Conditions

The following section lists the S9200U1000 operating sequence for the stated error conditions.

### Main Valve Sensing

The S9200U1000 monitors the valve output during the following conditions:

- Idle Mode
- Non-fault related states of Ignition sequence
- States related to the pressure switch fault

- When limit switch is open and inducer is no longer running, up to 180 seconds following the limit switch opening

In other conditions/states, main valve feedback is not monitored.

### MAIN VALVE FEEDBACK PROCESSING

If the inducer is off or on while the pressure switch is still open, and voltage is detected on the valve for longer than the fault debouncing time (miswire):

- All outputs are turned off except for the inducer, which is kept energized.
- The circulator energizes at the heat speed.
- If a call for cool occurs, the control energizes the circulator at cool speed after the appropriate delay.
- An error code flashes indicating there is a hardware malfunction. See Table 12 on page 21.
- An EnviraCOM™ alarm is active and sent on the bus. See Table 14 on page 23.

If voltage is no longer detected on the valve for more than the fault debouncing time:

- If the number of detected gas valve welded/miswire conditions have not reached 5 (since last power-up), the S9200U1000 proceeds to Soft Lockout. The S9200U1000 remains in Soft Lockout for the Auto Restart Delay.
- If the number of detected gas valve welded/miswire conditions have reached 5 (since last power-up), the S9200U1000 enters Hard Lockout, where it remains until power reset. An EnviraCOM™ alarm indicating that manual reset is needed is active and sent on the bus. See Table 14 on page 23.

If the inducer is energized or the pressure switch is closed and the inducer is not energized (pressure switch is stuck closed) and the main valve relay contacts are sensed closed even though the relay is not energized (welded contacts):

- An error code flashes indicating there is a hardware malfunction. See Table 12 on page 21.
- An EnviraCOM™ alarm is active and sent on the bus. See Table 14 on page 23.
- The inducer immediately switches off in an attempt to open the pressure switch. If, after 5 seconds, flame is sensed or voltage is still sensed on the main valve, the S9200U1000 energizes the inducer and circulator on heat speed.

If flame is not sensed and voltage on the main valve is no longer detected:

- The S9200U1000 proceeds to Soft Lockout if the number of detected gas valve welded/ miss-wire conditions have not reached 5 (since last power-up). The S9200U1000 remains in Soft Lockout for the Auto Restart Delay period. Otherwise, the S9200U1000 will enter Hard Lockout where it will remain until power is reset.

If voltage is not detected on the valve for longer than the fault debouncing time during a period when the valve is to be energized (contacts failed to make):

- the S9200U1000 proceeds as if flame is not sensed. If Soft Lockout is entered due to this condition:
  - An error code flashes indicating failed hardware. See Table 12 on page 21.
  - An EnviraCOM™ alarm is active and sent on the bus. See Table 14 on page 23.

## Flame Out of Sequence

The S9200U1000 does not take action on flame sensed in Idle Mode when there is no call for heat present.

If the S9200U1000 is servicing a call for heat and flame is sensed when it is not expected to be present, the ignition and fan sequences are not allowed to progress and the S9200U1000 stays in its current state. The exception is Igniter Warm-up, where the S9200U1000 proceeds to Prepurge.

If the sensed flame goes away before the False Flame Recognition Period, the ignition sequence proceeds as normal.

If however the sensed flame lasts longer than the False Flame Recognition Period:

- The igniter de-energizes, the inducer energizes, and the circulator energizes at heat speed.
- An error code flashes indicating flame is sensed out of sequence. See Table 12 on page 21.
- An EnviraCOM™ alarm is active and sent on the bus. See Table 14 on page 23.
- When the sensed flame goes away, the S9200U1000 proceeds to Postpurge, followed by Idle Mode at which time the error code is cleared.

## Line Voltage and Earth Ground Sensing

The line voltage circuitry is monitored for reversed polarity in Idle Mode in all non-fault related states except from HSI warm-up.

- If reversed polarity is detected for longer than the fault debouncing time, all requests for heat are ignored.
- An error code flashes indicating line voltage polarity is reversed. See Table 12 on page 21.
- An EnviraCOM™ alarm is active and sent on the bus. See Table 14 on page 23.
- Fan and cool requests process as normal.

Line voltage sensing requires a 120 Vac (nominal) earth ground referenced supply with an electrical connection between the transformer secondary and earth ground. Typical installations connect one side of the secondary to the appliance chassis and the appliance chassis to earth ground.

- If either the secondary to chassis connection, or the chassis to earth ground connection are missing or providing poor electrical contact, the S9200U1000 proceeds to “Self Check Lockout.”
- An error code flashes indicating there is no line voltage ground present. See Table 12 on page 21.
- An EnviraCOM™ alarm is active and sent on the bus. See Table 14 on page 23.
- Fan and cool requests process as normal.

These two faults (Line Voltage and Earth Ground Sensing) are combined into one detectable fault.

## Weak Flame Sensing

The S9200U1000 flashes an error code if, after a successful Trial for Ignition and while operating in normal fire mode, the S9200U1000 senses a weak flame signal for longer than five seconds.

- When the flame is weak, the Flame (amber) LED flashes indicating there is a poor flame signal. See Table 12 on page 21.
- An EnviraCOM™ alarm is active and sent on the bus. See Table 14 on page 23.

To clear the error code, a strong flame must be sensed for longer than five seconds or the heat demand must be removed.

## Low 24 Vac Input Sensing

If low voltage on 24 Vac input is detected, the S9200U1000 turns off all relays, ignore all requests, and wait until the voltage recovers.

- The S9200U1000 flashes an error code indicating low 24 Vac. See Table 12 on page 21.
- An EnviraCOM™ alarm is active and sent on the bus. See Table 14 on page 23. The alarm may not be received due to low line voltage, but will be stored in the alarm history.

When the voltage recovers, the S9200U1000 returns to normal operation five seconds after the fault clears.

## Bad Fuse

Once a bad fuse is detected, the S9200U1000 behaves in following manner:

- Thermostat requests that are in progress become inactive and are finished as if they were removed.
- All new thermostat requests are ignored.
- The S9200U1000 flashes an error code indicating a bad fuse. See Table 12 on page 21.
- An EnviraCOM™ alarm is active and sent on the bus. See Table 14 on page 23. The alarm may not be received due to low line voltage, but will be stored in the alarm history.

Once a good fuse is detected, the S9200U1000 returns back to normal operation through a micro reset.

## Soft Lockout

Soft Lockout is intended to prevent initiation of a new heating cycle for a certain time after the fault related to the heating sequence occurs. Behavior in Soft Lockout is defined as follows:

- Thermostat heat requests are ignored.
- Thermostat cool requests are served as normal.
- Fan requests are served as normal.
- The S9200U1000 flashes a fault code identifying the fault that caused transition to the Soft Lockout. See Table 12 on page 21.
- An EnviraCOM™ alarm indicating the fault is active and sent on the bus. See Table 14 on page 23.

The S9200U1000 is reset from Soft Lockout by any one of the following three ways:

- Cycling power: Removing power for longer than 10 seconds.
- Thermostat Reset: Removing the call for heat for longer than five seconds but less than 20 seconds.
- Auto Restart: The S9200U1000 automatically exits Soft Lockout after the Auto Restart Delay expires if the cause of the Soft Lockout has cleared.



## Hard Lockout

Hard Lockout is intended to prevent initiation of a new heating cycle after a serious fault related to heating (e.g. rollout switch opening). Behavior in Hard Lockout is defined as follows:

- Thermostat heat requests are ignored.
- Thermostat cool requests are served as normal.
- Fan requests are served as normal.
- The S9200U1000 flashes a fault code identifying the fault that caused transition to the Hard Lockout. See Table 12 on page 21.
- An EnviraCOM™ alarm indicating that manual reset is needed is active and sent on the bus. See Table 14 on page 23.

The S9200U1000 remains in this state until manual power reset.

## Self Check Lockout

Self Check Lockout is intended to prevent initiation of a new heating cycle after the self check mechanism has detected a hardware fault. The S9200U1000 functionality during a Self Check Lockout is defined as follows:

- Thermostat heat requests are ignored.
- Thermostat cool requests are served as normal.
- Fan requests are served as normal.
- The S9200U1000 flashes a fault code identifying the fault that caused transition to the Self Check Lockout. See Table 12 on page 21.
- An EnviraCOM™ alarm indicating the fault is active and sent on the bus. See Table 14 on page 23.
- The S9200U1000 remains in this state until the fault disappears.

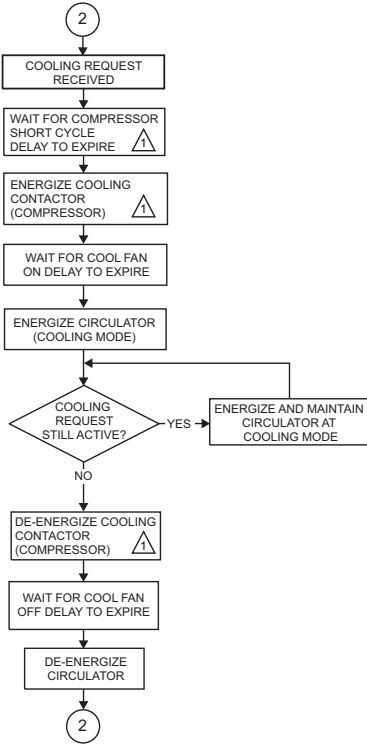
For the S9200U1000 to return back to normal operation, no fault must be present for the Self Check Lockout Return Delay, which is five minutes.

## Operating Sequences

Fig. 9–11 beginning on page 18 describe the operations of the S9200U1000 control.



2. CALL FOR COOLING

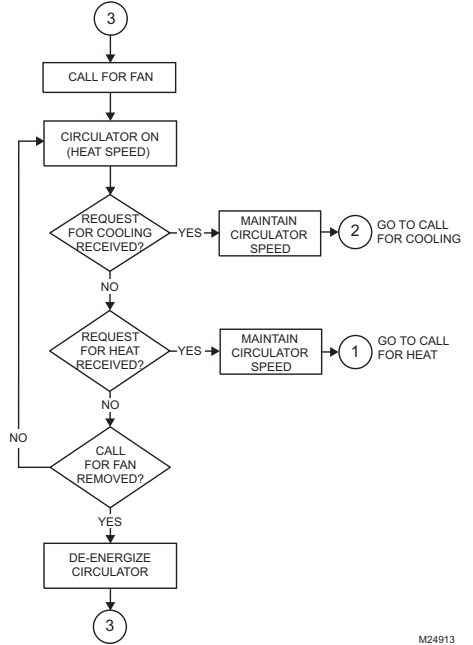


⚠ THE OPERATION IN THE BLOCK IS SKIPPED WHEN A SYSTEM WITH A CONVENTIONAL THERMOSTAT IS USED. THE OPERATION IS PERFORMED IN SYSTEMS WITH AN ENVIRACOM™ THERMOSTAT ONLY.

M24912A

Fig. 10. S9200U1000 sequence - Cooling Mode cycle.

3. CALL FOR FAN



M24913

Fig. 11. S9200U1000 sequence - Fan Mode cycle.

# TROUBLESHOOTING

## WARNING

Fire, Explosion, or Electrical Shock Hazard. Can cause severe injury, property damage, or death. Do not attempt to modify the physical or electrical characteristics of this device in any way. Replace it if troubleshooting indicates a malfunction.

### IMPORTANT

1. The status codes outlined in Table 11, Table 12, and Table 13 beginning on page 20 are a general guide. Follow appliance manufacturer service instructions when available.
2. Take all meter readings within the Trial for Ignition period. After the ignition period ends, before continuing, reset the system by turning down the thermostat for at least five seconds but for less than 20 seconds.
3. If any component does not function properly, make sure it is correctly installed and wired before replacing it.
4. Static discharge can damage the integrated furnace control. Touch an appliance metal surface to discharge static electricity before touching the furnace control.
5. The S9200U1000 cannot be repaired. If it malfunctions, replace it.
6. Only trained, experienced service technicians should service integrated furnace control systems. Perform the checkout steps listed in "Checkout" on page 13 before beginning any troubleshooting procedure. After troubleshooting, check out the system again to be sure it is operating normally.

## LED Indicators

The S9200U1000 has three LEDs. The three LEDs from left to right as shown in Fig. 4 on page 9 are:

- Flame – Amber LED  
The Amber LED Indicates flame status such as weak or no flame. The Flame status codes are mapped in Table 11 on page 20.
- STATUS – Red LED  
The Red LED indicates general system status, such as the presence of a call for heat and various error codes. The Status LED Status codes are mapped in Table 12 on page 21.
- E-COM – Green LED  
This Green LED indicates EnviraCOM™ transmission is underway. The LED is directly linked to communication on the EnviraCOM™ bus. The E-COM LED Status codes are mapped in Table 13 on page 22.
  - A typical transmitted message appears as a rapid flashing of the green LED.
  - A typical received message appears as single blink, indicating the S9200U1000 has acknowledged the message.

NOTE: The E-COM LED is active even if a conventional thermostat is controlling the appliance.

## Flash Code Descriptions

The LEDs flash codes at various intervals. Each pulse type indicates a specific functionality/ message type.

- Periodic Blink (Normal): 0.5 second on, 0.5 second off.
- Pulse: A 0.25 second flash followed by 3.75 seconds of off time.
- Heartbeat: Constant 0.5 second bright, 0.5 second dim cycles.
- Standard LED Fault Pattern (Single X Flash): LED flashes X times at 2HZ, then off for 3 seconds.
- Advanced LED Fault Pattern (X + Y Flash): LED flashes X times at 2Hz, remains off for one second, flashes Y times at 2Hz, remains off for three seconds, and then repeats.

Table 11. Flame Status Codes (Amber LED).

Flash Code <sup>a</sup>	Amber LED Status Code and Error Description	Check / Repair
OFF	Control powered - No flame	Not Applicable (normal operation)
Heartbeat	Control powered - Call for heat - Flame present	Not Applicable (normal operation)
Periodic Blink <sup>b</sup>	Call for heat - Low flame current	Check: Flame rod for contamination or loose wiring; low gas pressure.
Heartbeat	Call for heat - Flame sense out of sequence - Flame still present	Check/Repair: Flame at burners, if present replace gas valve.
OFF	All other conditions	Not Applicable

<sup>a</sup> Flash Code Descriptions:

- Pulse: A 0.25 second flash followed by 3.75 seconds of off time.
- Heartbeat: Constant 0.5 second bright 0.5 second dim cycles.
- Periodic Blink: 0.5 second on, 0.5 second off. During local history recall, this fault is flashed as a 1 + 2 pattern.

<sup>b</sup> During local history recall, this fault is flashed as a 1 + 2 pattern.

Table 12. Control Status Codes (Red LED).

Flash Code <sup>a</sup>	Red LED Status Code and Error Description	Check / Repair
Pulse	Control powered (Standby; No Call for Heat)	Not Applicable
Heartbeat	Call for Heat - Normal operation	Not Applicable (normal operation)
Pressure Switch Codes		
2	Pressure Switch failed Open	Check: If inducer is running, inducer could be broken or disconnected, or inducer relay K4 may have failed. Check/Repair: Low line voltage; Pressure switch wiring loose; hose disconnected or leaking; water in hose; venting blocked or obstructed.
3	Pressure Switch failed Closed	Check: If inducer is off, inducer relay (K4) could be welded. Check/Repair: Terminal wiring (shorted); pressure switch contacts (closed when should be open); pressure switch hoses have water build-up or obstruction.
4	Pressure Switch opened during Trial For Ignition or Run Mode	Check: See if inducer is running. Check/Repair: Restricted venting; low input voltage; water in horizontal vent length.
Limit Code		
5	Limit switch open	Check: Wiring; restricted airflow through heat exchanger; clogged filters; slow circulator fan speed.  Repair: Remove restrictions. Increase airflow through furnace (increase motor speed, open more ducts, add more returns).
Flame Code		
6	Unexpected flame - Waiting for flame to be off after the 20 second delay	Check/Repair: Gas valve leakage.
Soft Lockout Codes		
2 + 1	Soft Lockout - Exceed maximum number of retries	Check/Repair: Gas supply (pressure, supply, shut-off valves, gas valve); ignition (HSI element not properly positioned and glowing); flame sensing (lead-wire broken or grounded, flame rod not properly positioned, or flame rod contamination); low line voltage.
2 + 3	Soft Lockout - Exceeded maximum number of recycles or retries where the last recycle/retry was due to the pressure switch opening	Check/Repair: Pressure switch wiring; slow inducer; restricted, excessive, or obstructed venting; unstable line voltage.
2 + 4	Soft Lockout - Exceeded maximum number of recycles where the last recycle was due to a flame failure	Check/Repair: Gas supply; flame sensor wiring.
2 + 5	Soft Lockout - Exceeded maximum number of recycles where the last recycle was due to the limit circuit opening or the limit remained open longer than three minutes	Check: Wiring; restricted airflow through heat exchanger; clogged filters; slow circulator fan speed.  Repair: Remove restrictions. Increase airflow through furnace (increase motor speed, open more ducts, add more returns).
2 + 6	Soft Lockout - Gas Valve Failed to Make	Check/Repair: Gas valve, Gas valve wiring. Replace S9200U1000 if problem persists.
Other Codes		
3 + 1	Low 24V (Control restarts if the error recovers)	Check/Repair: Low voltage transformer and circuit.  Voltage should be nominally 24 Vac with 120 Vac on incoming line voltage. Verify low voltage under all thermostat request modes to insure there are no issues with other low voltage loads such as the outdoor unit 24 Vac contactor.
3 + 2	Bad Fuse	Check: Wiring (limit, rollout, pressure switch shorted to chassis; EnviraCOM™ bus); gas valve could be shorted. Turn off the power and replace the fuse with a fuse of the same type. Cycle power to appliance and run heating sequence. If this failure repeats, replace the control.
3 + 4	Gas valve error - Miswire or welded (Control restarts if the error recovers and it has not been detected five times yet)	Check/Repair: Gas valve wiring. Cycle power to appliance and run heating sequence. If this failure repeats, replace the control.
3 + 5	Control failed Self Check, internal error, or failed hardware (Control restarts if the error recovers.)  This covers hardware errors like flame sense circuit faults, pin shorts, etc.	Cycle power to appliance and run heating sequence. If this failure repeats, replace the control.
3 + 6	Reversed Line Voltage Polarity or Poor Earth Ground (Control restarts if the error recovers within 5 minutes after the fault has cleared.)	Check: 1. Line voltage input wiring. Assure line voltage hot lead is attached to L1. 2. Ground wire from control to appliance and appliance earth ground. 3. Voltage between line volt Neutral and appliance chassis. If over 10 volts, repair the wiring or move the furnace to another circuit with a good earth ground.  Repair: Reverse line voltage inputs if line volt hot lead is not attached to the L1 input.

Table 12. Control Status Codes (Red LED). (Continued)

Flash Code <sup>a</sup>	Red LED Status Code and Error Description	Check / Repair
Hard Lockout Codes		
4 + 1	Hard Lockout - Rollout circuit open or previously opened.	Check/Repair: Flue restrictions; heat exchanger restricted Check burner. Check Rollout Switch including switch cables. Reset rollout if necessary. Do not operate until repairs are made. Cycle power to appliance and run heating sequence. If this failure repeats, replace the control.
4 + 2	Hard Lockout - Gas valve welded relay detected for five times	Check/Repair: Gas valve wiring. Cycle power to appliance and run heating sequence. If this failure repeats, replace the control.

<sup>a</sup> Flash Code Descriptions:

- Pulse: A 0.25 second flash followed by 3.75 seconds of off time.
- Heartbeat: Constant 0.5 second bright, 0.5 second dim cycles.
- During start-up the STATUS LED blinks fast for approximately 2 seconds. If the S9200U1000 continues blinking fast (8 pulses/second), the control has failed and must be replaced.
- Standard LED Fault Pattern (Single X Flash): LED flashes X times at 2Hz, then off for 3 seconds.
- Advanced LED Fault Pattern (X + Y Flash): LED flashes X times at 2Hz, remains off for one second, flashes Y times at 2Hz, remains off for three seconds, and then repeats.

Table 13. E-COM Status Codes (Green LED).

Flash Code	Green LED Status Code and Description <sup>a</sup>	Check / Repair
Rapid Flashing	Bus Activity - Message being transmitted	Not Applicable (normal operation)
Single Blink	Bus Activity - Received message acknowledgment	Not Applicable (normal operation)
Off	No Bus Activity	Check/Repair: Disconnect the S9200U1000 from the external bus wiring, cycle power and check the bus activity. If there is activity, repair external bus wiring/devices before reconnecting the S9200U1000. If there is still no activity, replace the control.

<sup>a</sup> This LED is active even if a conventional thermostat is controlling the appliance.

## Status Codes History

The S9200U1000 stores the ten (10) most recent error codes. These codes can be recalled for viewing during troubleshooting and cleared if necessary

### Recalling the Status Code History

You may perform the following procedure multiple times to confirm that you have viewed all the currently stored error codes.

To recall the error code history and display it via the red status LED, perform the following:

1. Jumper the thermostat screw-terminal R/2 to screw-terminal D/1.
  - Within 0.5 seconds, the red status LED stops normal operation and turns on solid to indicate that the jumper is sensed.
2. Keep the thermostat screw-terminals R/2 to D/1 jumpered.
  - After a 5 second time-out, the red status LED turns off, indicating that error code recall is pending.
3. Within 10 seconds of the red status LED turning off, remove the jumper from thermostat screw-terminals R/2 to D/1.
  - This activates the error code recall.

### IMPORTANT

*If the R/2 to D/1 terminal jumper is not removed within the 10 seconds, the history is erased.*

4. Each saved error code blinks once on the red status LED, starting with the most recently stored error code.

NOTE: If there are no error codes to display, the red status LED immediately returns to normal operation.

5. After last error code displays, the red status LED returns to normal operation.

### Clearing the Status Code History

This procedure erases the entire history of fault (error) codes.

### IMPORTANT

*Once this procedure is performed, it cannot be undone.*

To clear the current error code history, perform the following:

1. Jumper the thermostat screw-terminal R/2 to terminal D/1.
  - Within 0.5 seconds the red status LED stops normal operation and turns on solid to indicate that the jumper is sensed.

2. Keep the thermostat screw-terminal R/2 to D/1 jumpered.
  - After a 5 second time-out, the red status LED turns off.
  - After a 10 second time-out, the red status LED turns on solid to indicate that the error history is being cleared.
3. When the error history is cleared, the red status LED returns to normal operation.
4. Remove the thermostat screw-terminal R/2 to terminal D/1 jumper.

## EnviraCOM™ Communication

EnviraCOM™ communication is a standard feature on the S9200U1000. EnviraCOM™ can be used to control system operation by way of an EnviraCOM™ enabled thermostat and perform advanced diagnostics when connected to EnviraCOM™ enabled diagnostic tools such as the web based EnviraLNK® remote diagnostics application, the OnWatch QuickLook™ 72 and the W8735D Telephone Access Module (TAM). In addition to alarms, key information such as state and flame current can be sent over the EnviraCOM™ bus. See Table 14.

**Table 14. S9200U1000 EnviraCOM™ Alarms.**

Alarm Description	Alarm Number	Comment
This device has no alarms	0	Not Applicable
Pressure switch failed to close in the ignition sequence	1	Display/Diagnostics
Pressure switch failed to open in the ignition sequence	3	Display/Diagnostics
Flame current caution level while running	4	Display/Diagnostics
Soft lockout due to flame current	5	Display/Diagnostics
The maximum number of flame loss incidents has been exceeded	22	Display/Diagnostics
Limit switch open	26	Display/Diagnostics
Flame detected out of sequence	34	Display/Diagnostics
Soft Lockout due to recycle; last recycle was from pressure switch open	85	Display/Diagnostics
Soft Lockout due to recycle; last recycle was from limit switch open	86	Display/Diagnostics
The pressure switch opened in run or trial for more than the allowable time	98	Display/Diagnostics
Gas valve failed to energize	17	Display/Diagnostics/EnviraLNK®/TAM
Electronics down	18	Display/Diagnostics/EnviraLNK®/TAM
Reversed line polarity	33	Display/Diagnostics/EnviraLNK®/TAM
A manual reset is required due to Rollout Limit	87	Display/Diagnostics/EnviraLNK®/TAM
Earth ground problem	88	Display/Diagnostics/EnviraLNK®/TAM
A bad fuse has been detected (NOTE: This alarm is stored in the Status Code History)	92	Display/Diagnostics/EnviraLNK®/TAM
The gas valve relay was sensed as closed when it should be open	100	Display/Diagnostics/EnviraLNK®/TAM
A manual reset is required due to gas valve welded condition being detected more times than allowed maximum	124	Display/Diagnostics/EnviraLNK®/TAM
Low voltage is detected on 24 Vac input	125	Display/Diagnostics/EnviraLNK®/TAM

## Test Mode

The S9200U1000 is equipped with a Test Mode feature which allows the control to test and verify several critical parameters. During Test Mode, the S9200U1000 alters the selected Safety Timings as described in Table 15.

**Table 15. Test Mode Parameters.**

Test Mode Parameter	Modified Timing
Pre-Purge	5 seconds
HSI Warm-up	17 seconds
Ignition Activation	3 seconds
Flame Recognition	1 second
Trial for Ignition	4 seconds
Heat Fan ON Delay	15 seconds
Heat Fan OFF Delay	0 seconds
Post-Purge	5 seconds
Cool Fan ON Delay	2 seconds
Cool Fan OFF Delay	0 seconds

Test Mode can be accessed several ways:

- Thermostat inputs:
  - Apply a Y + G request within 3 seconds after power-up for 2 seconds.
  - Next, remove the Y + G request and apply W request within 10 seconds.
- EnviraCOM™ command
- The G signal enables the circulator in Test Mode. If a G request is present, the circulator is controlled as required by the heating or cooling sequence. If the G request is removed, the circulator turns off during the heating or cooling sequence. If there is no other thermostat request present, a G request causes the circulator to be energized. The circulator energizes during a heating cycle if the limit switch opens, regardless of the G signal.

If there is a failure during Test Mode:

- An error code flashes indicating the failure. See Table 12 on page 21.
- An EnviraCOM™ alarm is active and sent on the bus. See Table 14 on page 23.

Test Mode is exited after any of the following conditions:

- Three minutes of operation
- Receipt of an EnviraCOM™ command instructing the S9200U1000 to exit Test Mode
- The cycling of power

QuickLook™ 72 is a trademark of OnWatch Electronics Inc.

EnviraCom™ is a trademark of Resideo.

EnviraLNK® is a registered trademark of Resideo.



Resideo Technologies, Inc.  
1985 Douglas Drive North, Golden Valley, MN 55422  
1-800-468-1502

[www.resideo.com](http://www.resideo.com) 69-2075EF-07 M.S. Rev. 06-20 | Printed in United States

© 2020 Resideo Technologies, Inc. All rights reserved.

This product is manufactured by Resideo Technologies, Inc. and its affiliates.

Tous droits réservés. Ce produit est fabriqué par Resideo Technologies, Inc. et ses sociétés affiliées.





# Régulateur d'appareil de chauffage intégré à allumage par incandescence universel S9200U1000

## INSTRUCTIONS D'INSTALLATION

### APPLICATION

Le régulateur d'appareil de chauffage intégré à allumage par incandescence universel S9200U1000 est un régulateur de combustion utilisé dans les appareils de chauffage et de refroidissement à gaz à un étage. Les faisceaux de câblage à clavette permettent au S9200U1000 de remplacer la plupart des régulateurs d'appareils de chauffage et d'être utilisés sur la plupart des appareils de chauffage et de refroidissement à un étage.

Le S9200U1000 peut être utilisé avec des thermostats traditionnels ainsi que les modèles VisionPRO IAQ et FocusPRO compatibles EnviraComTM. Le régulateur d'appareil de chauffage intégré universel S9200U1000 est conçu pour les appareils de chauffage résidentiels fonctionnant au propane liquide ou naturel uniquement.

La possibilité de communication EnviraCOM™ du S9200U1000 permet de l'utiliser dans les applications à pairage et permet la communication avec les appareils de diagnostic locaux et à distance tels que l'appareil de poche QuickLook (QuickLook™ 72), le module d'application Web EnviraLNK® et le modèle d'accès téléphonique (TAM) W8735D.

Maintenant offert avec un nouveau faisceau principal de 12x12 broches pour appareils de chauffage Goodman/Amana/Daikin (voir les Tableaux 1 et 3).

### CARACTÉRISTIQUES

Caractéristiques du S9200U1000 :

- **Allumage du brûleur principal à l'aide d'un allumeur à incandescence de 120 V.**
- **Circuit de redressement de flamme pour surveiller la présence de la flamme.**
- **Surveillance du pressostat du système, de la limite haute température et des fonctions du système.**
- **Fonctionnement de l'appareil/exigences de sécurité contrôlés par microprocesseur.**
- **Régulation d'un moteur de ventilateur de circulation à induction standard (en fonction des exigences de l'appareil) en réponse à un thermostat EnviraCOM™ ou basse tension traditionnelle.**
- **Indication de performance, de diagnostic et de statut du système à DEL.**
- **Faisceaux de câblage fournis pour le remplacement facile de la plupart des régulateurs d'appareil de chauffage intégré et l'intégration avec la plupart des appareils de chauffage et de refroidissement.**
- **Possibilité de pairage.**
- **Possibilité de communication EnviraCOM™ pour permettre la régulation du système CVCA, le dépannage, les diagnostics et le statut du système local ou à distance.**

### SPÉCIFICATIONS

**Tension de secteur :** secteur 120 V (97-132 V c.a.), 60 Hz

**Basse tension :** secteur 24 V (19-30 V c.a.) 60 Hz

**Appel de courant :** courant d'entrée de 0,5 A à 24 V c.a., plus charge de la vanne à 24 V c.a plus contacteur de refroidissement

**Courant d'allumeur :** 5,0 A résistifs à 132 V c.a. à la sortie

**Réglage d'anticipateur de thermostat :** (étage 1 uniquement) 100 mA

**Prébalayage :** 30 s

**Réchauffement de l'allumage par incandescence (HSI) :** 17/27 ou 30/30 s (premier/prochain essai) en fonction du réglage du commutateur DIP S2

**Essai d'allumage :** 4, 6 ou 8 s en fonction du réglage du commutateur DIP S2

**Postbalayage :** 15 s

**Balayage inter-essai :** 60 s

**Délai d'autoréinitialisation :** 60 minutes (après le verrouillage de premier niveau)

**Essais d'allumage :** trois, deux essais si la flamme n'est pas détectée lors du premier essai

**Temps de réponse en cas d'extinction de la flamme :** 2 s maximum 0 1 µA

**Voyants DEL : trois voyants DEL fournissent les renseignements suivants :**

- Un voyant DEL rouge indique l'état du système et les défaillances
- Un voyant DEL ambre fournit de l'information sur l'état de la flamme
- Un voyant DEL vert fournit de l'information sur le trafic EnviraCOM™

**Faisceaux de câblage :**

- 12 broches, connecteur 3 x 4, 7,78 cm (7 po); faisceau principal (2)
- 4 broches, connecteur 4 x 1, 7,78 cm (7 po); faisceau allumeur/inducteur (5)
- Cavalier

**Délais du ventilateur :**

- **Délai de marche air chaud du ventilateur :** 30 ou 60 s en fonction du réglage du commutateur DIP S1
- **Délai d'arrêt air chaud du ventilateur :** 60, 90, 120 ou 180 s en fonction du réglage du commutateur DIP S1
- **Délai de marche air froid du ventilateur :** 5 s
- **Délai d'arrêt air froid du ventilateur :** 0 ou 60 s (en fonction du réglage du commutateur DIP S1)

**Régulateur à gaz :** tout régulateur à gaz à allumage direct redondant de 24 V c.a. de 1,5 A ou moins; Resideo

**Contacteur de refroidissement :** tout contacteur de 24 V c.a. de 1,0 A ou moins

**Ventilateur de tirage** : 2,2 A à pleine charge/3,5 A à rotor bloqué max. à 120 V c.a.

**Charge du circulateur** : 14,5 A à pleine charge/25 A à rotor bloqué max. à 120 V c.a.

**Tension de secteur de l'humidificateur** : 1 A résistif à charge max. à 120 V c.a.

**Filtre à air électronique** : 1 A résistif à charge max. à 120 V c.a.

**Fusible remplaçable** : 3,0 A, type automobile

**Température de fonctionnement** : -40 °F à 175 °F (-40 °C à 79 °C)

**Humidité relative** : 0 % à 95 %, sans condensation

**Dimensions** : voir la fig. 1 à la page 7

**Tableau 1. Le S9200U1000 remplace ces régulateurs d'appareil de chauffage intégré. (suite)**

N° d'article	Faisceau	Recommandation relative aux réglages sur site - commutateur DIP S1	Réglages de la temporisation de sécurité - commutateur DIP S2
<b>Rheem/ Robert Shaw</b>			
62-24268-01	D	SW1 : MARCHE SW2 : ARRÊT SW3 et SW4 : 60/90/120/180	SW1 : MARCHE SW2 : MARCHE
62-24268-02	Connecteur principal		
62-24268-03			
695-200	C		
	Connecteur de roue de tirage et HSI		
<b>Nordyne</b>			
624557	D	SW1 : MARCHE SW2 : ARRÊT SW3 et SW4 : 60/90/120/180	SW1 : MARCHE SW2 : ARRÊT
6245570	Connecteur principal		
624557-0			
624564	B		
6245640	Connecteur de roue de tirage et HSI		
624591			
624591A			
624591-A			
624591-B			
624591-C			
624591-D			
624628			
624628-0			
6246310			
624631-0			
624631A			
624631-A			
624631-B			
710128A			
902378			
902696			
903106			
CAR903106			
<b>United Technologies</b>			
1012-955A	D	SW1 : MARCHE SW2 : ARRÊT SW3 et SW4 : 60/90/120/180	SW1 : MARCHE SW2 : ARRÊT
1012955A	Connecteur principal		
	B		
	Connecteur de roue de tirage et HSI		
<b>Texas Instruments</b>			
6DT-1	Connecteur principal non requis.	SW1 : MARCHE SW2 : ARRÊT SW3 et SW4 : 60/90/120/180	SW1 : ARRÊT SW2 : MARCHE
6DT-2			
61F3	A		
	Connecteur de roue de tirage et HSI		

## APERÇU DE L'INSTALLATION ET DE LA CONFIGURATION

Voici un aperçu des étapes d'installation et de configuration du régulateur d'appareil de chauffage intégré S9200U1000 :

1. Identifiez les correspondances à l'aide du tableau 1.
2. Déposez l'ancien appareil. Identifiez et marquez soigneusement l'ensemble du câblage. Consultez la rubrique « Rechange » à la page 6.
3. Montez le régulateur d'appareil de chauffage intégré S9200U1000. Consultez la rubrique « Rechange » à la page 6.
4. Branchez les faisceaux de câblage et réalisez les connexions. Consultez la rubrique « Câblage » à la page 7.
5. Configurez les réglages sur site et les temporisations de sécurité. Consultez les rubriques « Temporisations de sécurité, Réglages sur site et Paramètres fixes » du début à la page 11.

## CORRESPONDANCES

### IMPORTANT

Utilisez seulement le régulateur S9200U1000 pour les applications de 120 V c.a. Consultez le tableau 1 pour de plus amples renseignements sur le remplacement de commandes d'autres fabricants. Consultez le tableau 2 à la page 5 pour de plus amples renseignements sur les commandes Trane.

**Tableau 1. Le S9200U1000 remplace ces régulateurs d'appareil de chauffage intégré.**

N° d'article	Faisceau	Recommandation relative aux réglages sur site - commutateur DIP S1	Réglages de la temporisation de sécurité - commutateur DIP S2
<b>United Technologies</b>			
1012-925A	D	SW1 : MARCHE SW2 : ARRÊT SW3 et SW4 : 60/90/120/180	SW1 : MARCHE SW2 : MARCHE
1012-925B	Connecteur principal		
1012-925C	C		
	Connecteur de roue de tirage et HSI		

Tableau 1. Le S9200U1000 remplace ces régulateurs d'appareil de chauffage intégré. (suite)

N° d'article	Faisceau	Recommandation relative aux réglages sur site - commutateur DIP S1	Réglages de la temporisation de sécurité - commutateur DIP S2
<b>York</b>			
3101250000	Connecteur principal non requis.	SW1 : MARCHÉ SW2 : ARRÊT SW3 et SW4 : 60/90/120/180	SW1 : ARRÊT SW2 : ARRÊT
03100662000			SW1 : ARRÊT SW2 : MARCHÉ
031-00662	A Connecteur de roue de tirage et HSI		
031-00662-000			
031-00662-700			
031-01140-000			
031-01140-001			
031011140002			
031-01140-002			
031-01140-701			
031-01140-702			
031.01234.000			
031-01234-700			
031-01235-000			
031-01235-700			
031-01250-000			
031-01250-700			
031-01266-000			
031-01266-700			
031-01267-00			
031-01267-000			
031-01267-001			
031-01267-001A			
031-01284-000			
031-01933-000			
031-01972-000			
031-01973-000			
031-02166-000			
031-09166-000			
031-09167-000			
331-01933-000	Connecteur principal non requis.	SW1 : MARCHÉ SW2 : ARRÊT SW3 et SW4 : 60/90/120/180	SW1 : ARRÊT SW2 : MARCHÉ
331-01972-200			
331-09167-000	A Connecteur de roue de tirage et HSI		
43101972100			
431-01972-100			
52537074000			
52537077000			
5253733900			
CAR33101972200			
CAR03101973000			
CAR50A55843			
G951ADB1401			
G951ADB1401C			
G951ADB-1401C			
G951ADB1402			
G951ADB-1402			
G951AEB-1403			
P03101267001			
P031-01267-001			
PTH031011400-00			
031-00662			

Tableau 1. Le S9200U1000 remplace ces régulateurs d'appareil de chauffage intégré. (suite)

N° d'article	Faisceau	Recommandation relative aux réglages sur site - commutateur DIP S1	Réglages de la temporisation de sécurité - commutateur DIP S2
<b>United Technologies</b>			
1012-83-9651B	Connecteur principal non requis.	SW1 : MARCHÉ SW2 : ARRÊT SW3 et SW4 : 60/90/120/180	SW1 : ARRÊT SW2 : MARCHÉ
	A Connecteur de roue de tirage et HSI		
<b>Goodman/Amana<sup>1</sup></b>			
1809913	E Connecteur principal	SW1 : MARCHÉ SW2 : ARRÊT SW3 et SW4 : 60/90/120/180	SW1 : ARRÊT SW2 : MARCHÉ
B1809913			
B18099-13	F Connecteur de roue de tirage et HSI		
10207701	G	SW1 : MARCHÉ SW2 : ARRÊT SW3 : MARCHÉ SW4 : ARRÊT	SW1 : ARRÊT SW2 : MARCHÉ
10207702			
10207703			
102077-02			
102077-03		SW1 : MARCHÉ SW2 : ARRÊT SW3 et SW4 : 60/90/120/180	SW1 : ARRÊT SW2 : ARRÊT
10207704			
102077-04			
10207706			
102077-09			
10207714			
10207719			
102077-19			
10207710		SW1 : MARCHÉ SW2 : ARRÊT SW3 : MARCHÉ SW4 : ARRÊT	SW1 : ARRÊT SW2 : MARCHÉ
<b>Goodman/Daikin/Amana</b> : GMS92,GMS96 GCS92,GCS96 GMS8, GDS8, AMSS92, AMSS96, ACSS92, ACSS96, AMS8, ADSS8, DM92SS, DC92SS, DM80SS, DD80SS			
PCBBF136	32339630-001	S1-ARRÊT S2-ARRÊT S3 & S4 : 60/90/120/180	Temporisation de sécurité SW1- SW2 avant le réglage
PCBBF140	Connecteur principal 12x12 (H)		
	50031795-001		
	Connecteur d'inducteur et d'allumeur à surface chaude 4x2 (G)		
<b>United Technologies</b>			
1012933D	E Connecteur principal	SW1 : MARCHÉ SW2 : ARRÊT SW3 et SW4 : 60/90/120/180	SW1 : ARRÊT SW2 : MARCHÉ
1012-933D			
1012-83-9336AHSC1	F Connecteur de roue de tirage et HSI		
1012-83-9337A			

Tableau 1. Le S9200U1000 remplace ces régulateurs d'appareil de chauffage intégré. (suite)

N° d'article	Faisceau	Recommandation relative aux réglages sur site - commutateur DIP S1	Réglages de la temporisation de sécurité - commutateur DIP S2			
<b>Texas Instruments</b>						
41F-5	E Connecteur principal	SW1 : MARCHÉ SW2 : ARRÊT SW3 et SW4 : 60/90/120/180	SW1 : ARRÊT SW2 : MARCHÉ			
White Rodgers 50T35730						
50T35-730	F Connecteur de roue de tirage et HSI	SW1-SW4: Contrôlez les réglages sur le terrain avant la configuration.	SW1-SW2: Contrôlez les réglages de temporisation de sécurité avant la configuration.			
50T35743						
50T35-743						
ICM280						
<b>White Rodgers<sup>1</sup></b>						
50A50-110	A Connecteur de roue de tirage et HSI	SW1 : MARCHÉ SW2 : ARRÊT SW3 et SW4 : 60/90/120/180	SW1 : ARRÊT SW2 : MARCHÉ			
50A50-111						
50A50-112						
50A50-113						
50A50-130						
50A50-131						
50A50-142						
50A50-143				SW1 : MARCHÉ SW2 : Vérifiez les réglages SW3 et SW4 : 60/90/120/180	SW1 : ARRÊT SW2 : MARCHÉ	
50A50-205				G Connecteur de roue de tirage et HSI	SW1 : MARCHÉ SW2 : ARRÊT SW3 : MARCHÉ SW4 : ARRÊT	SW1 : ARRÊT SW2 : MARCHÉ
50A50-206						
50A50-207						
50A50-208	A Connecteur de roue de tirage et HSI	SW1 : MARCHÉ SW2 : ARRÊT SW3 et SW4 : 60/90/120/180	SW1 : ARRÊT SW2 : ARRÊT			
50A50-209		SW1 : MARCHÉ SW2 : ARRÊT SW3 : MARCHÉ SW4 : MARCHÉ	SW1 : ARRÊT SW2 : MARCHÉ			
50A50-210		SW1 : MARCHÉ SW2 : ARRÊT SW3 et SW4 : 60/90/120/180	SW1 : ARRÊT SW2 : ARRÊT			
50A50-215						
50A50-216						
50A50-229						
50A50-230				SW1 : MARCHÉ SW2 : ARRÊT SW3 : MARCHÉ SW4 : MARCHÉ	SW1 : ARRÊT SW2 : ARRÊT	
50A50-240		SW1 : MARCHÉ SW2 : ARRÊT SW3 et SW4 : 60/90/120/180	SW1 : ARRÊT SW2 : ARRÊT			
50A50-241						
50A50-245						
50A50-285	G	SW1 : ARRÊT SW2 : ARRÊT SW3 : MARCHÉ SW4 : ARRÊT	SW1 : ARRÊT SW2 : ARRÊT			
50A50-286	A Connecteur de roue de tirage et HSI	SW1 : MARCHÉ SW2 : ARRÊT SW3 et SW4 : 60/90/120/180	SW1 : ARRÊT SW2 : MARCHÉ			
50A50-288	G	SW1 : MARCHÉ SW2 : ARRÊT SW3 : MARCHÉ SW4 : ARRÊT	SW1 : ARRÊT SW2 : ARRÊT			
50A50-295						
50A50-296		SW1 : MARCHÉ SW2 : ARRÊT SW3 et SW4 : 60/90/120/180	SW1 : ARRÊT SW2 : ARRÊT			
50A50-298						

Tableau 1. Le S9200U1000 remplace ces régulateurs d'appareil de chauffage intégré. (suite)

N° d'article	Faisceau	Recommandation relative aux réglages sur site - commutateur DIP S1	Réglages de la temporisation de sécurité - commutateur DIP S2	
50A50-407	A Connecteur de roue de tirage et HSI	SW1 : MARCHÉ SW2 : ARRÊT SW3 et SW4 : 60/90/120/180	SW1 : ARRÊT SW2 : ARRÊT	
50A50-408		SW1 : ARRÊT SW2 : ARRÊT SW3 et SW4 : 60/90/120/180	SW1 : ARRÊT SW2 : MARCHÉ	
50A50-438				
50A50-472				SW1 : Vérifiez les réglages SW2 : MARCHÉ SW3 et SW4 : 60/90/120/180
50A50-475		SW1 : MARCHÉ SW2 : ARRÊT SW3 et SW4 : 60/90/120/180		
50A55-120		SW1 : ARRÊT SW2 : ARRÊT SW3 : MARCHÉ SW4 : ARRÊT	SW1 : ARRÊT SW2 : ARRÊT	
50A55-143				SW1 : MARCHÉ SW2 : 30/60 SW3 et SW4 : 60/90/120/180
50A55-241		SW1 : MARCHÉ SW2 : ARRÊT SW3 : MARCHÉ SW4 : MARCHÉ	SW1 : ARRÊT SW2 : MARCHÉ	
50A55-245		SW1 : MARCHÉ SW2 : ARRÊT SW3 et SW4 : 60/90/120/180	SW1 : ARRÊT SW2 : ARRÊT	
50A55-250				
50A55-285				
50A55-286				SW1 : ARRÊT SW2 : MARCHÉ
50A55-288	G	SW1 : MARCHÉ SW2 : ARRÊT SW3 et SW4 : 60/90/120/180	SW1 : ARRÊT SW2 : ARRÊT	
50A55-288-05				
50A55-843 - Universel	A Connecteur de roue de tirage et HSI	SW1 : Vérifiez les réglages SW2 : Vérifiez les réglages SW3 et SW4 : 60/90/120/180	SW1 : ARRÊT SW2 : ARRÊT	
50M56U-843 (Remplacer les allumeurs 80 V par le modèle Q3200U à 120 V)	32339630-001 Connecteur principal 12x12 (H)  50031795-001 Connecteur d'inducteur et d'allumeur à surface chaude 4x2 (G)	S1-Vérifier les réglages S2-Vérifier les réglages S3 et S4 : 60/90/120/180	SW1 : ARRÊT SW2 : ARRÊT	
<b>ICP</b>				
1010806	A Connecteur de roue de tirage et HSI	SW1 : MARCHÉ SW2 : ARRÊT SW3 et SW4 : 60/90/120/180	SW1 : ARRÊT SW2 : ARRÊT	
1380686				
1380698				SW1 : ARRÊT SW2 : MARCHÉ
1380699				SW1 : ARRÊT SW2 : ARRÊT
1380686				SW1 : ARRÊT SW2 : ARRÊT
1380-699				SW1 : ARRÊT SW2 : MARCHÉ

**Tableau 1. Le S9200U1000 remplace ces régulateurs d'appareil de chauffage intégré. (suite)**

N° d'article	Faisceau	Recommandation relative aux réglages sur site - commutateur DIP S1	Réglages de la temporisation de sécurité - commutateur DIP S2
<b>Lennox</b>			
X445901	A Connecteur de roue de tirage et HSI	SW1 : MARCHE SW2 : ARRÊT SW3 et SW4 : 60/90/120/180	SW1 : ARRÊT SW2 : ARRÊT
1214201			
<b>Autres fabricants</b>			
X13120666010	A Connecteur de roue de tirage et HSI	SW1 : MARCHE SW2 : ARRÊT SW3 et SW4 : 60/90/120/180	SW1 : ARRÊT SW2 : ARRÊT
10334901			
350486			
8068142			
8068561			
8068563			
99958174			
99958175			

<sup>1</sup>Le faisceau de câblage G doit être utilisé si la commande à remplacer comporte un connecteur à deux broches pour roue de tirage/allumeur au lieu d'un connecteur à quatre broches pour roue de tirage/allumeur.

**Tableau 2. Remplacement des commandes Trane.**

N° d'article	Faisceau	Recommandation relative aux réglages sur site - commutateur DIP S1	Réglages de la temporisation de sécurité - commutateur DIP S2
<b>Trane</b>			
CNT1309	Ajouter le cavalier sur le connecteur du faisceau (limiteur de retour de flamme)	SW1 : Vérifiez les réglages SW2 : MARCHE SW3 et SW4 : 60/90/120/180	SW1 : ARRÊT SW2 : MARCHE
CNT1616			
CNT1848			
CNT1849			
CNT2181			
CNT2182			
CNT2183			
CNT2789			
CNT03740			
D330927P01			
D330930P01		SW1 : ARRÊT SW2 : ARRÊT SW3 et SW4 : 60/90/120/180	SW1 : ARRÊT SW2 : MARCHE
D330934P01			
D340035P01			
D3400354P01			
D340774P01			
D340790P01		SW1 : Vérifiez les réglages SW2 : MARCHE SW3 et SW4 : 60/90/120/180	SW1 : ARRÊT SW2 : ARRÊT
D341122P01			
D341235P01		SW1 : MARCHE SW2 : ARRÊT SW3 : MARCHE SW4 : ARRÊT	
<b>White Rogers</b>			
50A50-571	Ajouter le cavalier sur le connecteur du faisceau (limiteur de retour de flamme)	SW1 : MARCHE SW2 : ARRÊT SW3 et SW4 : 60/90/120/180	SW1 : ARRÊT SW2 : ARRÊT
50A55-571			
50A50-473	A Connecteur de roue de tirage et HSI	SW1 : ARRÊT SW2 : ARRÊT SW3 et SW4 : 60/90/120/180	SW1 : ARRÊT SW2 : MARCHE
50A50-474			
50A50-405			
50A50-406			
50A50-471			
50A55-474			
50A55-438			

**REMARQUE :** Pour remplacer les commandes indiquées dans le tableau 2, un cavalier (compris avec la trousse de faisceau) pourrait être requis pour créer un court-circuit dans le limiteur de retour de flamme sur la fiche du connecteur principal à 12 broches de l'appareil de chauffage. Le limiteur de retour de flamme se trouve entre les broches 5 et 11 du connecteur à 12 broches. Voir le tableau 3 et la fig. 2 à la page 8.

## INSTALLATION

### Lors de l'installation de ce produit...

1. Lisez attentivement ces instructions. Le non-respect des instructions peut endommager le produit ou provoquer une situation dangereuse.
2. Vérifiez les caractéristiques nominales fournies dans cette notice pour vous assurer que le régulateur d'appareil de chauffage intégré correspond bien à l'application prévue.
3. L'installateur doit être un technicien expérimenté ayant reçu la formation adéquate.
4. Une fois l'installation terminée, assurez-vous que le produit fonctionne comme indiqué dans cette notice.



### AVERTISSEMENT

**Risque d'incendie ou d'explosion.  
Peut causer des dégâts et des blessures graves, voire mortelles.**

1. Le régulateur d'appareil de chauffage intégré peut mal fonctionner s'il est mouillé, causant une accumulation de gaz explosifs.
  - Ne jamais installer dans un endroit où de l'eau peut se déverser, s'égoutter ou se condenser sur le régulateur.
  - Ne jamais tenter d'utiliser un régulateur d'appareil de chauffage intégré qui a été mouillé; le remplacer.
2. Le gaz de pétrole liquide (GPL) est plus lourd que l'air et ne s'évapore pas naturellement vers le haut.
  - Ne pas activer d'interrupteurs électriques, de lumières ou d'appareils tant qu'il n'est pas certain que la zone de l'appareil est exempte de gaz.



### AVERTISSEMENT

**Risque de choc électrique.  
Peut causer des dégâts et des blessures graves, voire mortelles.**

1. S'assurer que l'alimentation vers l'appareil de chauffage est coupée. Ignorer cette recommandation pourrait entraîner un incendie ou un choc électrique.
2. Débrancher l'alimentation avant d'effectuer le câblage ou ses connexions pour éviter les chocs électriques et les dégâts de l'équipement.



### MISE EN GARDE

**Risque de dégât matériel.  
L'eau peut causer des dommages ou un dysfonctionnement de l'équipement.**

Si le régulateur d'appareil de chauffage doit être monté à un endroit présentant un risque d'exposition à de l'eau ou de l'humidité, fournir un boîtier étanche adapté.

## Remplacement d'un régulateur d'appareil de chauffage existant

### Lieu

Dans la plupart des cas, le régulateur d'appareil de chauffage intégré est monté sur un panneau du compartiment du circulateur de l'appareil de chauffage. L'emplacement doit fournir les conditions suivantes :

- Accès aux bornes de câblage sur site.
- Températures de fonctionnement ambiantes entre -40 °C (-40 °F) et 79 °C (175 °F).
- Humidité relative inférieure à 95 % sans condensation.
- Protection contre l'eau, la vapeur et les produits chimiques corrosifs utilisés pour nettoyer l'appareil.
- Protection contre l'eau suintante, telle que provenant d'un humidificateur trop rempli ou de condensation.
- Protection contre l'accumulation de graisse ou de poussière.

### IMPORTANT

*Assurez-vous d'identifier les temporisations de sécurité sur l'appareil de chauffage existant avant de débrancher les fils. Si cette information n'est pas accessible, consultez le fabricant de l'appareil de chauffage pour obtenir les réglages recommandés.*

### Rechange

Pour remplacer le régulateur d'appareil de chauffage existant :

1. Déposez le panneau d'accès pour accéder au régulateur d'appareil de chauffage.
2. Détachez le faisceau de câblage du régulateur d'appareil de chauffage et identifiez/marquez tous les fils qui ne sont pas raccordés à une prise de câblage.
3. Une fois que le régulateur d'appareil de chauffage est débranché, il est nécessaire de le détacher ou de le dévisser de la plaque de base.
4. Sélectionnez l'emplacement de l'appareil le mieux adapté de manière à ce que les câbles existants ou les faisceaux requis puissent être acheminés sans exercer une tension sur les câbles ou les fiches. Dans la mesure du possible, nous recommandons de monter le S9200U1000 au même emplacement que l'ancien régulateur d'appareil de chauffage. La température ambiante du régulateur d'appareil de chauffage S9200U1000 doit être située dans la plage indiquée dans les spécifications.
5. Le S9200U1000 peut être monté verticalement ou dans n'importe quelle orientation. Voir la fig. 4 à la page 9 pour connaître l'orientation d'un montage type.
6. Fixez le panneau sur la plaque à base des panneaux à montage à l'aide à deux vis à tête insérées dans les œillets situés sur les chants du panneau. Voir la fig. 1 à la page 7.
7. En vous servant du tableau 1 à la page 2, identifiez le(s) faisceau(x) de câblage nécessaire(s) pour installer rapidement le S9200U1000. Les adaptateurs de faisceau de câblage fournis sont conçus pour raccorder le faisceau de câblage existant. Consultez le tableau 3 à la page 8 et le tableau 4 à la page 8 pour obtenir de l'information sur les broches de sorties du faisceau de câblage fourni.

8. Branchez l'extrémité appropriée du faisceau de câblage à la fiche à 12 broches du S9200U1000 (au besoin) et l'autre extrémité à la prise de câblage existante (préalablement déposée du régulateur de chauffage existant). Raccordez l'allumeur/la roue de tirage approprié(e) (au besoin) à la fiche à 4 broches et l'autre extrémité à la fiche de connexion ou aux cosses rectangulaires existantes (préalablement déposées du régulateur de chauffage existant).

**IMPORTANT**

*Les faisceaux de câblage fournis sont clavetés. N'exercez pas une pression excessive si l'enclenchement de la fiche du faisceau et de la prise du S9200U100 s'effectue difficilement.*

9. Reliez les câbles à raccordement rapide aux contacts appropriés du S9200U1000.
10. Réglez les temporisations de sécurité comme cela est requis en utilisant le commutateur S2. Consultez le tableau 10 à la page 13 pour obtenir des renseignements sur le réglage du commutateur.
11. Réglez les temporisations sélectionnables sur site tel que requis en utilisant le commutateur S1. Consultez le tableau 9 à la page 12 pour obtenir des renseignements sur le réglage.
12. Vérifiez les connexions pour vous assurer qu'aucun câble n'est desserré et qu'une connexion de mise à la terre appropriée est reliée au bâti.
13. Mettez l'appareil en marche. Consultez la rubrique « Vérifications » à la page 13 pour obtenir les schémas de séquences de commande, figures 9 à 11, à partir à la page 17.

**Câblage****⚠ AVERTISSEMENT**

**Risque d'incendie ou d'explosion. Peut causer des dégâts et des blessures graves, voire mortelles.**

Assurez-vous qu'un faisceau de câblage approprié est utilisé. Vérifiez le tableau 1 des correspondances à la page 2 et passez en revue le schéma de câblage de l'appareil.

Le S9200U1000 est conçu pour être relié à l'appareil à l'aide d'un faisceau de câblage. Consultez attentivement le tableau de sélection de faisceaux de câblage pour connaître les faisceaux de câblage appropriés. Voir le tableau 1 à la page 2.

Vérifiez le schéma de câblage (fig. 4 à la page 9) et le schéma fourni par le fabricant de l'appareil pour connaître toutes les désignations de bornes. Les tableaux 5 et 6 présentés à partir à la page 8 décrivent les connexions de câblage pour les installations de classes 2 et 1.

Des connexions de câblage sont illustrées dans la fig. 5 à la page 10.

Consultez les schémas de câblage fournis par le fabricant de l'appareil, si disponibles, pour connaître les circuits qui diffèrent du branchement habituel illustré. Suivez attentivement toute directive spéciale concernant les procédures générales mentionnées ci-dessous.

Le câblage doit être conforme aux codes et aux règlements locaux.

Consultez la rubrique « Faisceaux de câblage » pour connaître les connecteurs du faisceau de câblage principal et du faisceau de câblage de l'allumeur/la roue de tirage et pour obtenir de l'information détaillée.

Consultez la rubrique « Connexions de câblage » à la page 8 pour connaître les connexions de câblage, mais reportez-vous également aux directives du fabricant de l'appareil de chauffage si possible.

**REMARQUE :** Le cavalier de la temporisation de sécurité est décrit dans le tableau 7 à la page 11.

**IMPORTANT**

*La masse commune requise pour le S9200U1000 et le brûleur principal doit être fournie par la fiche branchée dans la prise du faisceau principal (connecteur à 12 broches) du tableau.*

**Faisceaux de câblage**

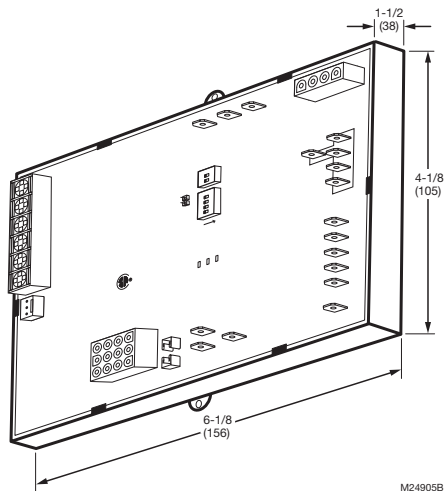
Le texte qui suit décrit les connexions du faisceau de câblage principal et du faisceau de câblage de l'allumeur/roue de tirage.

**CONNECTEURS DU FAISCEAU DE CÂBLAGE PRINCIPAL**

Le texte qui suit décrit les connecteurs du faisceau de câblage principal. Consultez le tableau 3 et la figure 2.

**IMPORTANT**

*La masse commune requise pour le S9200U1000 et le brûleur principal doit être fournie par la fiche branchée dans la prise du faisceau principal (connecteur à 12 broches) du tableau.*

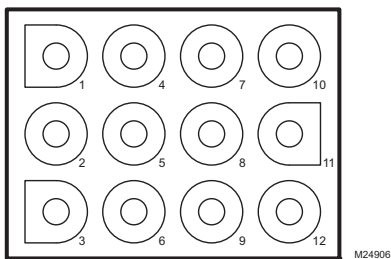


**Fig. 1. Dimensions de montage en po et (mm) du S9200U1000.**

**Tableau 3. Connecteur à douze broches du faisceau de câblage principal (classe 2, basse tension).**

Broche n°	Fonction
1	Sortie limite haute
2	Détection de flamme - entrée du signal de flamme (90 V c.a, courant limité)
3	24 V c.a. sous tension
4 <sup>1</sup>	Non utilisé
5	Interrupteur du système
6	24 V c.a. commun
7	Entrée haute limite + sortie pressostat
8	Mise à la terre du bâti
9	Vanne principale commune
10	Entrée pressostat
11	Entrée interrupteur du système
12	Vanne principale

<sup>1</sup> Utiliser le faisceau 12x12 32339640-001 (H) lorsque l'E/S du contacteur de pression du faisceau de l'appareil de chauffage se trouve à la broche 4 et non à la broche 7.



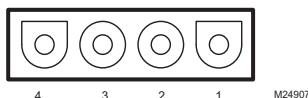
**Fig. 2. Configuration de la fiche du faisceau principal S9200U1000.**

**CONNECTEURS DU FAISCEAU DE CÂBLAGE DE L'ALLUMEUR/ROUE DE TIRAGE**

Le texte qui suit décrit les connecteurs du faisceau de câblage de l'allumeur/la roue de tirage. Consultez le tableau 4 et la Fig. 3.

**Tableau 4. Connecteur à quatre broches du faisceau de câblage de l'allumeur/roue de tirage (classe 1, tension secteur).**

Broche n°	Inscription de référence	Fonction
1	IND-SOUS TENSION	Roue de tirage 120 V c.a.
2	IGN-SOUS TENSION	Allumeur de 120 V c.a.
3	IND-NEUTRE	Roue de tirage neutre
4	IGN-NEUTRE	Allumeur neutre



**Fig. 3. Configuration de la fiche du faisceau de l'allumeur/de la roue de tirage du S9200U1000.**

**Connexions de câblage**

Le tableau 5 décrit les connexions de câblage pour des tensions de classe 2.

Le tableau 6 décrit les connexions de câblage pour des tensions de classe 1.

Voir le tableau 5 à la page 10 pour connaître les emplacements des connexions de câblage du tableau.

**Tableau 5. Connexions de câblage (classe 2, basse tension).**

Type de borne	Connexion (voir la fig. 4 à la page 9)	Relie le S9200U1000 au :
bornes à vis 6 positions (vis n° 5)	D/1 (facultatif)	Connexion de données EnviraCOM™ (si utilisé)
	C/3	Masse de 24 volts
	R/2	24 volts sous tension - thermostat
	W	Entrée du thermostat (chauffage)
	G	Entrée du thermostat pour un fonctionnement continu du ventilateur
	Y	Entrée du thermostat (refroidissement)/sortie du contacteur des thermostats EnviraCOM™ (refroidissement)
Connecteur polarisé à trois broches	E-COM	Dispositif de diagnostic et de communication EnviraCOM™
Connecteur à 12 broches	Connecteur de faisceau principal	Voir le tableau 3 à la page 8
Cosse droite rapide	24 V c.a.	Transformateur - 24 V c.a.
	COM	Transformateur - commun
Bloc de fusibles	Fusible	Fusible - type automobile - 3,0 A



Tableau 6. Wiring Connections (Class 1, Line Voltage).

Type de borne	Connexion (voir la fig. 4 à la page 9)	Relie le S9200U1000 au :
Connecteur à 4 broches (bornes mâles)	Connecteur de faisceau de câblage allumeur - roue de tirage	Voir le tableau 4
Cosse droite rapide	REFROIDISSEMENT	Sortie de vitesse de refroidissement du circulateur
	EAC	Sortie du filtre à air électronique de 120 V c.a.
	CHAUFFAGE	Sortie de vitesse de chauffage du circulateur
	CONT	Circulation continue
	XFMR	Sortie du transformateur de 120 V c.a.
	L1	Alimentation du système en eau chaude, secteur 120 V c.a.
	HUM	Sortie de l'humidificateur de 120 V c.a.
	PARK	Moteur de circulateur Park pour entrée de 120 V c.a.
Cosse droite rapide	Neutres	Tout connecteur neutre peut être utilisé pour : <ul style="list-style-type: none"> <li>• Entrée du neutre de 120 V c.a.</li> <li>• Neutre du transformateur</li> <li>• Neutre du filtre à air électronique</li> <li>• Neutre du circulateur</li> <li>• Neutre de l'humidificateur</li> </ul>
Cosse droite rapide	Flamme	Détection de flamme - entrée du signal (90 V c.a, courant limité)

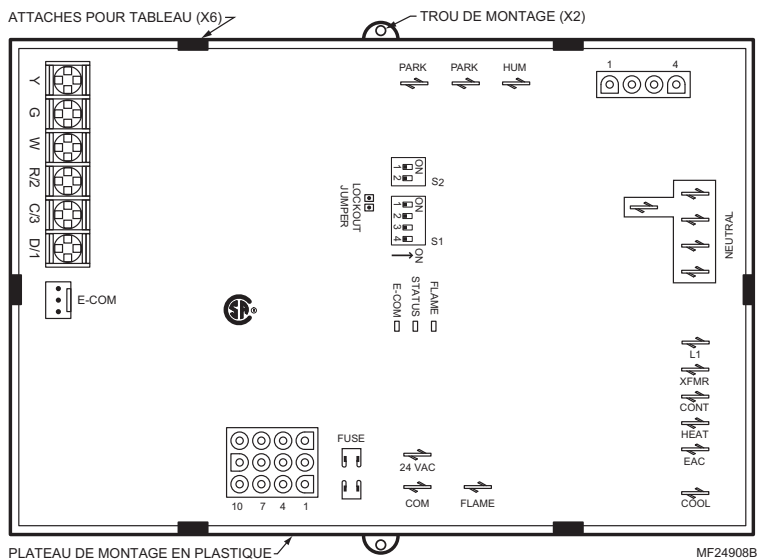


Fig. 4. Orientation d'un montage type illustrant les connexions de câblage et les composants du régulateur d'appareil de chauffage intégré S9200U1000 universel.

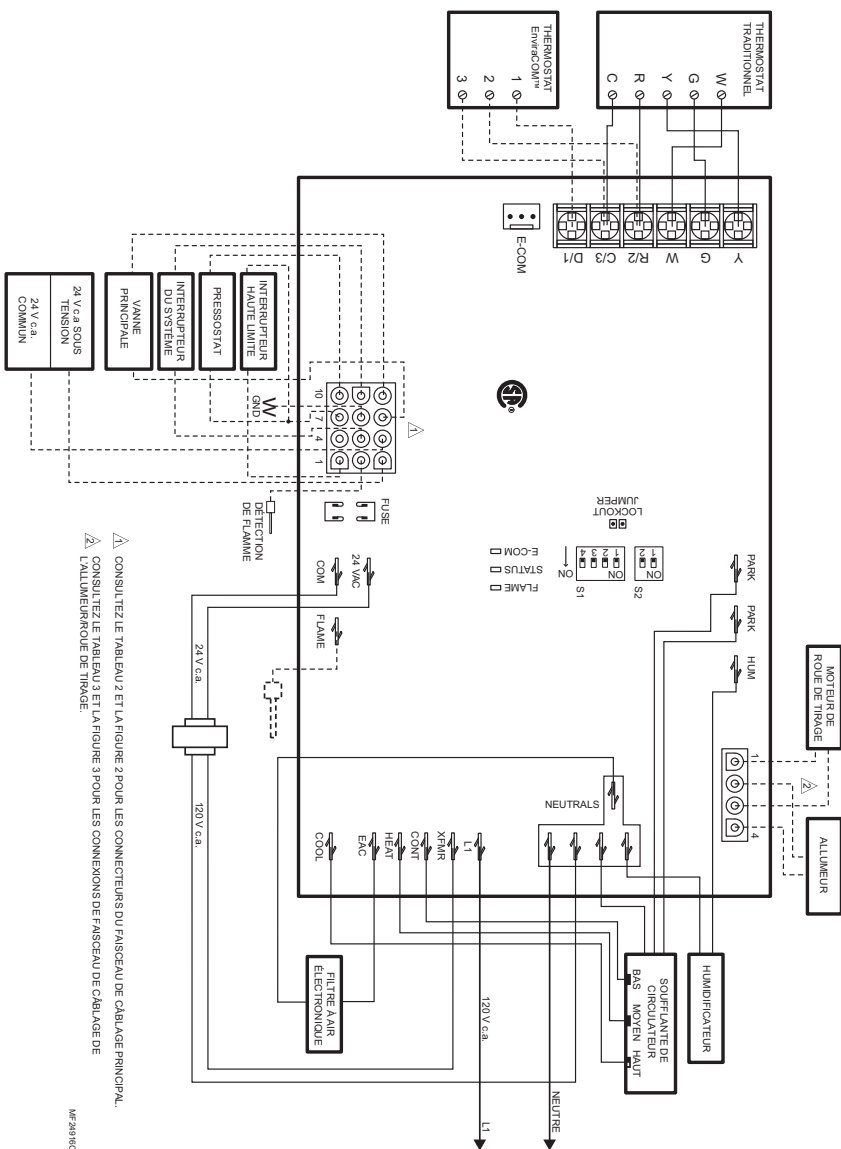


Fig. 5. Connexions de câblage type pour le régulateur d'appareil de chauffage intégré S9200U1000 universel.

## TEMPORISATIONS DE SÉCURITÉ, RÉGLAGES DE COMMUTATEUR SUR SITE ET DE PARAMÈTRES FIXES

### WARNING

**Risque d'incendie ou d'explosion. Peut causer des dégâts et des blessures graves, voire mortelles.**

Les réglages sur site et les temporisations de sécurité doivent satisfaire les normes OEM. Ne réglez pas les temporisations de sécurité au-delà de la norme recommandée. Le non-respect des temporisations de sécurité recommandées pourrait endommager l'équipement, causer des blessures corporelles, voire la mort!

### IMPORTANT

*Le fait de placer la temporisation de sécurité au-delà de la norme recommandée par le fabricant de l'appareil pourrait causer une accumulation de gaz imbrûlé dans l'appareil et une explosion!*

### Cavalier de verrouillage de la temporisation de sécurité

Le S9200U1000 est équipé d'un cavalier de verrouillage de la temporisation de sécurité conçu pour rendre les temporisations de sécurité permanentes une fois qu'elles sont sélectionnées. Pour assurer que la réinitialisation des commutateurs DIP de temporisation de sécurité (tableau 10 à la page 13) ne cause pas de situations dangereuses, déposez le cavalier de verrouillage de temporisation de sécurité une fois que la sélection de la position du commutateur DIP de temporisation de sécurité a été effectuée.

Si le cavalier de verrouillage de temporisation de sécurité S9200U1000 (voir le tableau 7) n'est pas déposé après que la sélection du commutateur DIP a été effectuée, les

réglages du commutateur DIP seront stockés en permanence dans la mémoire non volatile de la commande après le dixième cycle (à chaque réglage du commutateur DIP). Les réglages de sécurité ne peuvent être modifiés une fois qu'ils ont été stockés en permanence.

Voir la rubrique « Commutateur DIP S2 - temporisations de sécurité » à la page 12.

**Tableau 7. Cavalier de verrouillage de la temporisation de sécurité.**

Cavalier (voir la fig. 4 à la page 9)	Retirez le cavalier pour activer
Verrouillage	Après le réglage du commutateur DIP de temporisation de sécurité (S2), retirez le cavalier pour stocker en permanence les réglages dans la mémoire non volatile du S9200U1000.

### Réglages sur site

Les réglages sur site peuvent être modifiés au besoin. Le changement sera appliqué lors des prochaines situations influencées par ce changement. Si, par exemple, un délai particulier s'écoule et que les réglages sont modifiés, le réglage de délai actuel n'est pas influencé par ce changement.

Les réglages sur site ne sont pas considérés comme étant critiques pour la sécurité, ces paramètres peuvent être modifiés en tout temps durant et après l'installation.

Voir la rubrique « Commutateur DIP S1 - réglages sur site » de la présente page.

### Paramètres fixes

Les paramètres fixes sont des réglages qui ne peuvent pas être modifiés en tout temps.

Le tableau 8 décrit les paramètres fixes du S9200U1000.

Tableau 8. Paramètres fixes.

Paramètres fixes	Réglage
Prébalayage	30 s
Balayage inter-essai	60 s
Postbalayage	15 s
Délai de marche air froid du ventilateur	5 s
Autres tentatives d'essais	2 tentatives d'essais (3 tentatives d'essais au total)
Remise en cycle de l'allumage	3 remises en cycle (4 cycles au total)
Délai de rétablissement automatique	1 heure
Temps de réponse en cas d'extinction de la flamme	2 s (maximum)
Durée de la défaillance de l'antirebond	2 s
Délai du cycle court du compresseur	5 minutes
Période de reconnaissance de la fausse flamme	20 s
Cycles de chauffage vers le verrouillage de la sélection des temporisations de sécurité	10 cycles

## Réglages des commutateurs DIP (S1 et S2)

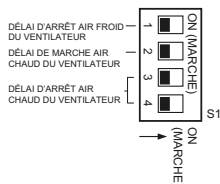
Les paramètres sur site et de sécurité peuvent être réglés en utilisant des commutateurs DIP S1 et S2. Reportez-vous à la fig. 4 à la page 9 pour connaître l'emplacement des deux blocs-commutateurs.

### Commutateur DIP S1 - réglages sur site

Le tableau 9 et la figure 6 décrivent les réglages de commutateur DIP S1. Les réglages d'usine par défaut sont tous sur ARRÊT et indiqués en GRAS.

Tableau 9. Réglages du commutateur DIP (S1) - réglages sur site.

Descriptions du commutateur DIP (S1)	Commutateurs individuels			
	SW1	SW2	SW3	SW4
Délai d'arrêt air froid du ventilateur - 0 seconde	ARRÊT			
Délai d'arrêt air froid du ventilateur - 60 s	MARCHE			
Délai de marche air chaud du ventilateur - 30 s		ARRÊT		
Délai de marche air chaud du ventilateur - 60 s		MARCHE		
Délai d'arrêt air chaud du ventilateur - 120 s			ARRÊT	ARRÊT
Délai d'arrêt air chaud du ventilateur - 180 s			ARRÊT	MARCHE
Délai d'arrêt air chaud du ventilateur - 90 s			MARCHE	ARRÊT
Délai d'arrêt air chaud du ventilateur - 60 s			MARCHE	MARCHE



MF24909

Fig. 6. Commutateur DIP (S1) illustré avec les réglages d'usine par défaut; tous sur ARRÊT.

### TEMPORISATION DE DÉLAI D'ARRÊT AIR FROID DU VENTILATEUR

Le délai d'arrêt air froid du ventilateur correspond à la période après l'appel de refroidissement et avant la désactivation du moteur de ventilateur à la vitesse de refroidissement. La temporisation est réglée en usine à zéro (0). Pour la modifier, coupez d'abord l'alimentation, puis réglez l'entrée SW1 du commutateur DIP S1 en respectant les valeurs du tableau 9 à la page 12.

### DÉLAI DE TEMPORISATION DE MARCHE AIR CHAUD DU VENTILATEUR

Le délai de marche air chaud du ventilateur est la période débutant par l'essai de l'allumage et l'activation du moteur de soufflante à la vitesse de chauffage (si l'essai de l'allumage est réussi). Le réglage par défaut en usine est de 30 minutes. Pour le modifier, coupez d'abord l'alimentation, puis réglez l'entrée SW2 sur le commutateur DIP S1 en respectant les valeurs du tableau 9 à la page 12.

## DÉLAI DE TEMPORISATION D'ARRÊT AIR CHAUD DU VENTILATEUR

Le délai d'arrêt air chaud du ventilateur est la période se situant entre la perte de flamme du brûleur principal après la fin de l'appel de chaleur et la désactivation du moteur de soufflante à basse vitesse de chauffage. La temporisation est réglée en usine à 120 s. Pour la modifier, commencez par débrancher l'alimentation, puis réglez le SW3 et le SW4 sur le commutateur DIP S1 conformément au tableau 9 à la page 12.

## Commutateur DIP S2 - temporisations de sécurité

Le tableau 10 et la figure 7 décrivent les réglages de commutateur DIP S2. Les réglages d'usine par défaut sont tous sur OFF (ARRÊT) et sont indiqués en caractères gras.

Tableau 10. Réglages du commutateur DIP (S2) - temporisations de sécurité.

Description du commutateur DIP S2	Commutateurs individuels	
	SW1	SW2
Temps de réchauffement de l'allumage par incandescence = 17/27 <sup>a</sup> s Essai d'allumage = 4 s : – Période d'activation de l'allumage = 1 seconde – Période de reconnaissance de la flamme = 3 s  Il s'agit du réglage par défaut.	ARRÊT	ARRÊT
Temps de réchauffement de l'allumage par incandescence = 17/27 <sup>a</sup> s Essai d'allumage = 6 s : – Période d'activation de l'allumage = 3 s – Période de reconnaissance de la flamme = 3 s	ARRÊT	MARCHE
Temps de réchauffement de l'allumage par incandescence = 30/30 s Essai d'allumage = 6 s : – Période d'activation de l'allumage = 3 s – Période de reconnaissance de la flamme = 3 s	MARCHE	ARRÊT
Temps de réchauffement de l'allumage par incandescence = 30/30 s Essai d'allumage = 8 s : – Période d'activation de l'allumage = 5 s – Période de reconnaissance de la flamme = 3 s	MARCHE	MARCHE

<sup>a</sup> La période la plus courte des deux périodes énumérées (17 s) s'applique seulement au premier essai, alors que la période plus longue (27 s) s'applique aux essais subséquents durant le même appel de chaleur.

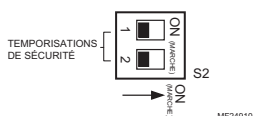


Fig. 7. Le commutateur DIP Switch (S2) illustré avec les réglages d'usine par défaut; tous sur ARRÊT.

## TYPE DE THERMOSTAT

Le S9200U1000 acceptera soit un thermostat de chauffage/de refroidissement à 1 étage traditionnel de 24 V c.a. ou les thermostats compatibles VisionPRO ou FocusPRO EnviraCOM™.

REMARQUE : Lors de l'utilisation d'un thermostat traditionnel de 24 V c.a., réglez l'anticipeur de chaleur à 0,1 A.

## PAIRAGE

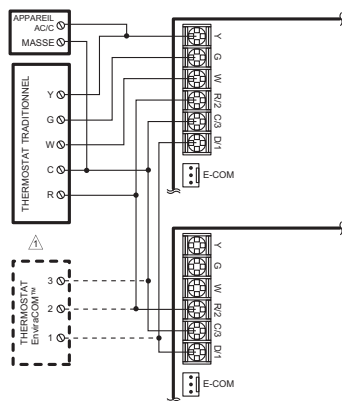
Communication EnviraCOM™ entre deux régulateurs S9200U1000 qui permet l'utilisation de commandes dans des applications de pairage. Lorsqu'un deuxième S9200U1000 est détecté sur le bus EnviraCOM™, chaque régulateur S9200U1000 passe en mode de pairage. Si l'un des deux régulateurs S9200U1000 n'est plus régi par l'application de pairage, le régulateur restant retourne en mode de fonctionnement standard au moment où le régulateur est réalimenté.

Pour les applications de pairage, Resideo recommande de placer le commutateur DIP S1 aux mêmes positions sur chaque appareil de manière à ce que les délais de temporisation air chaud/marche air froid du ventilateur/arrêt soient les mêmes pour les deux dispositifs. Autrement, des délais de temporisation marche plus court et arrêt ventilateur plus long seront utilisés pour les deux dispositifs.

Voir la Fig. 8 pour connaître les connexions de câblage types.

### IMPORTANT

- Il est nécessaire d'utiliser deux régulateurs S9200U1000 pour les applications de pairage.
- Dans des applications de pairage, coupez toujours l'alimentation des dispositifs lors du câblage des régulateurs. Si vous ne suivez pas cette directive, l'enregistrement du régulateur sur le bus EnviraCOM™ pourrait prendre plus de temps.
- Les modifications de temporisation du ventilateur peuvent être détectées lorsque deux dispositifs sont appariés.



UTILISEZ SEULEMENT UN THERMOSTAT AU SEIN DU SYSTÈME.  
MF24917C

Fig. 8. Câblage typique pour l'application de pairage.

## VÉRIFICATION

Vérifiez le système de régulation :

- À la première installation de l'appareil.
- Dans le cadre des procédures d'entretien périodiques.
- Pour les premières étapes du dépannage.
- Pour tout travail sur le système.

### Indicateurs DEL

Le S9200U1000 comprend trois voyants DEL; voir la fig. 4 à la page 9 pour connaître leur emplacement sur le tableau :

- Flamme - ambre : indique l'état de la flamme
- État - rouge : Indique l'état général du système et les codes d'erreur.
- E-COM - vert : indique l'activité du bus EnviraCOM™

Voir la rubrique « Dépannage » à la page 19 pour obtenir de l'information sur des codes de clignotement particuliers tel que mentionné dans les procédures de vérification.

Utilisez uniquement les procédures suivantes pour le régulateur intégré; consultez les directives relatives aux composants individuels pour connaître les procédures de vérification additionnelles.

## I. VÉRIFICATION DU FONCTIONNEMENT NORMAL

### Vérifiez le thermostat traditionnel de 24 V c.a.

1. Mettez l'appareil sous tension.
2. Une fois l'appareil sous tension, le régulateur d'appareil de chauffage peut accepter une demande W après une vingtaine de s et des demandes Y et G après une dizaine de s.
3. Réglez le thermostat sur appel de chaleur. Assurez-vous que le régulateur S9200U1000 commande le fonctionnement séquentiel comme cela est indiqué à la figure 9 à la page 17.
4. Réglez le thermostat à une température inférieure à la température ambiante pour interrompre l'appel de chaleur. Le brûleur devrait s'éteindre; le ventilateur de tirage devrait fournir un délai de postbalayage (15 s); et le ventilateur intérieur devrait s'arrêter une fois le délai de temporisation écoulé.

Il y a trois modes de fonctionnement. ceux-ci sont abordés dans la prochaine section selon l'ordre suivant :

1. Mode de chauffage normal
2. Mode de refroidissement normal - voir la page 14
3. Mode de ventilation - voir la page 14

### Mode de chauffage normal

Reportez-vous à la fig. 9 à la page 19 pour connaître le schéma de séquences de commande du mode de chauffage. Le texte suivant décrit le fonctionnement durant un appel de chaleur et le cycle de chauffage.

#### Appel de chaleur

Un appel de chaleur est signalé par le thermostat fermant les contacts entre R/2 et W ou une demande de chaleur

EnviraCOM™. Les demandes de chaleur sont ignorées en présence d'un appel de refroidissement à la borne Y.

Lors d'un appel de chaleur :

- Le S9200U1000 effectue une vérification de sécurité qui consiste en un autodiagnostic du matériel interne/des logiciels et une vérification de l'absence de flamme au brûleur principal.
- Le S9200U1000 s'assure que les circuits de l'interrupteur du système et du limiteur sont fermés.
- Le S9200U1000 s'assure que le circuit du pressostat est ouvert.
- Le S9200U1000 met la roue de tirage sous tension.
- Le prébalayage commence après la fermeture du pressostat.
- Une fois le prébalayage terminé, l'allumage par incandescence (HSI) est mis sous tension pendant la période de réchauffement de l'allumage.
- La soupape de gaz est mise sous tension et l'essai d'allumage débute une fois la période de réchauffement de l'allumage écoulée.
- Durant la période d'activation de l'allumage, l'élément HSI et la soupape de gaz reste sous tension.
- Après l'activation de l'allumage, le HSI est mis hors tension et la soupape de gaz reste sous tension pendant la période de reconnaissance de la flamme.
- Le délai de marche air chaud du ventilateur commence à s'écouler au début de l'essai d'allumage.
- Lorsque la flamme est détectée durant l'essai d'allumage, le S9200U1000 met le HSI hors tension et passe en mode de fonctionnement normal.
- Une fois la temporisation de marche air chaud du ventilateur expirée, le circulateur est mis sous tension à la vitesse de chauffage.

#### Appel de chaleur satisfait

Une fois l'appel de chaleur terminé :

- La soupape de gaz est mise hors tension.
- Les délais de temporisation d'arrêt du ventilateur de circulateur et du postbalayage commencent à s'écouler lorsqu'une perte de flamme est détectée.
- La roue de tirage est mise hors tension une fois la période de postbalayage terminée.
- Le circulateur est mis hors tension une fois la temporisation d'arrêt du ventilateur du circulateur écoulée.

#### Tentative de relance de l'allumage

Si la flamme n'est pas détectée durant l'essai d'allumage ou est perdue dans un délai de moins de 10 s après avoir quitté l'essai d'allumage :

- La soupape de gaz est mise hors tension.
- La roue de tirage reste sous tension durant l'intervalle de prébalayage.
- Une fois l'intervalle de prébalayage écoulé, un nouvel essai d'allumage débute pour un maximum de deux essais.
- Après l'échec du troisième essai d'allumage du brûleur, le S9200U1000 passe à l'intervalle de prébalayage suivi par le verrouillage de premier niveau où il demeure pendant le délai d'autoréinitialisation avant de commencer une autre série de séquences d'allumages.

- Le compte de tentatives de relance s'efface si une flamme est détectée pendant plus de 10 s après avoir quitté le mode d'essai d'allumage.

## Remise en cycle de l'allumage

Si la présence d'une flamme est détectée durant l'essai d'allumage, conservée pendant 10 s, puis perdue :

- La soupape de gaz est mise hors tension.
- La roue de tirage reste sous tension durant l'intervalle de prébalayage.
- Un nouvel essai d'allumage débute une fois l'intervalle de prébalayage écoulé.
- Un maximum de trois remises en cycle est permis par appel de chaleur avant que le régulateur passe en mode de verrouillage de premier niveau. Le compte de remise en cycle ne s'efface pas avant que la présente demande de chaleur ne soit satisfaite, que le S9200U1000 n'ait quitté le mode de verrouillage de premier niveau ou que le S9200U1000 n'ait fonctionné en continu pendant une heure.

## Fonctionnement du circuit de l'interrupteur du système (durant le cycle de chauffage)

Si le circuit de l'interrupteur du système s'ouvre durant un cycle de chauffage :

- La soupape de gaz est immédiatement mise hors tension.
- La roue de tirage est mise sous tension.
- Le circulateur est mis sous tension à la vitesse de chauffage.
- Un code d'erreur DEL clignote indiquant que le circuit de l'interrupteur du système est ouvert. Voir le tableau 12 à la page 21.
- Une alarme EnviraCOM™ est activée et envoyée au bus. Voir le tableau 14 à la page 25.
- Les demandes de chaleur du thermostat sont ignorées.

Le S9200U1000 demeure dans cet état jusqu'à ce que le circuit de l'interrupteur du système se ferme.

Une fois le circuit de l'interrupteur du système fermé :

- La roue de tirage est mise hors tension une fois la période de postbalayage terminée.
- Le circulateur est mis hors tension une fois le délai d'arrêt air chaud sélectionné.
- Le voyant DEL continue d'afficher par intermittence le code d'erreur de l'interrupteur du système.
- Les demandes de chaleur du thermostat sont encore ignorées.

Le S9200U1000 demeure dans cet état jusqu'à ce que l'alimentation soit remise en cycle. Le S9200U1000 se remet alors à fonctionner normalement.

## Fonctionnement du circuit de l'interrupteur de limite (durant le cycle de chauffage)

Si le circuit du limiteur s'ouvre durant un cycle de chauffage :

- La vanne à gaz est immédiatement mise hors tension. La roue de tirage est mise hors tension une fois la période de postbalayage terminée.

- Les voyants DEL affichent un code d'erreur par intermittence indiquant que le circuit du limiteur est ouvert. Voir le tableau 12 à la page 21.
- Une alarme EnviraCOM™ est active et envoyée sur le bus. Voir le tableau 14 à la page 25.
- Le circulateur est immédiatement mis sous tension ou reste sous tension à la vitesse de chauffage.
- Si le limiteur s'ouvre durant la période d'essai de l'allumage, l'essai est considéré comme infructueux (un nouvel essai s'effectue).
- Si le limiteur s'ouvre durant le fonctionnement, la séquence est considérée comme infructueuse (le prochain essai est remis en cycle).

Le S9200U1000 demeure dans cet état jusqu'à ce que le circuit du limiteur se ferme. Après la fermeture du circuit du limiteur :

- Si le circuit du limiteur était ouvert pendant moins de trois minutes, une nouvelle séquence d'allumage démarre et le circulateur reste sous tension pendant le délai d'arrêt du ventilateur sélectionné. Si le brûleur est allumé avant l'expiration du délai d'arrêt du ventilateur sélectionné, la temporisation d'arrêt du ventilateur est interrompue et le circulateur reste sous tension.
- Si le circuit du limiteur était ouvert pendant plus de trois minutes, le circulateur reste sous tension à la vitesse de chauffage pendant le délai d'arrêt air chaud du ventilateur, et le S9200U1000 passe en mode de verrouillage de premier niveau où il restera en attente du délai de redémarrage ou jusqu'à ce qu'une réinitialisation de thermostat soit détectée.

## Fonctionnement du pressostat (durant le cycle de chauffage)

- Si un appel de chauffage est effectué et que le pressostat est fermé avant le début de la séquence d'allumage, le S9200U1000 attendra cinq s et affichera un code d'erreur par intermittence, qui indique que le pressostat est bloqué en position fermée. Une alarme EnviraCOM™ est activée et envoyée au bus (voir le tableau 14 à la page 25). Aussitôt que le pressostat s'ouvre le code d'erreur s'efface et la séquence d'allumage se déroule normalement.
- Si la séquence d'allumage est lancée et que le pressostat n'arrive pas à se fermer dans un délai de 150 s de la mise sous tension de la roue de tirage, le S9200U1000 met la roue de tirage hors tension, affiche le code « Pressure Switch Failed Open » (impossibilité d'ouvrir le pressostat), puis retourne en mode de veille pendant cinq minutes avant de lancer de nouveau la séquence d'allumage. (Voir le tableau 12 à la page 21).
- Une alarme EnviraCOM™ est activée et envoyée au bus (voir le tableau 14 à la page 25).
- Ce processus continue indéfiniment et un code d'erreur indiquant une défaillance du pressostat clignote jusqu'à ce que le pressostat se ferme ou que l'appel de chaleur s'interrompe.
- Si le pressostat s'ouvre pendant plus de deux secondes durant l'essai de l'allumage ou s'ouvre pendant plus de 50 millisecondes durant un déclenchement normal et une perte de flamme, le S9200U1000 lance le prébalayage avant de lancer la séquence d'allumage.

- Si le pressostat s'ouvre durant le prébalayage ou le réchauffement de l'allumage, le S9200U1000 mettra l'allumeur hors tension et laissera la roue de tirage hors tension pendant un maximum de 60 s pour essayer de refermer le commutateur. Si le commutateur se ferme, le cycle d'allumage reprend du début du prébalayage. Un code d'erreur indiquant une défaillance du pressostat en position d'ouverture clignote jusqu'à ce que le brûleur s'allume de nouveau ou que la demande de chauffage soit supprimée (voir le tableau 12 à la page 21). Si le commutateur ne se referme pas, le S9200U1000 se comporte comme si le pressostat ne se ferme pas après la mise en route de la roue de tirage.
- Si le pressostat s'ouvre pendant plus de deux s durant l'essai de l'allumage ou s'ouvre pendant plus de 50 ms durant un déclenchement normal et une perte de flamme, le S9200U1000 lance le prébalayage avant de lancer la séquence d'allumage.

Un code d'erreur DEL clignote indiquant que le circuit de l'interrupteur du système est ouvert. Voir le tableau 12 à la page 21. Une alarme EnviraCOM™ est activée et envoyée au bus. Voir le tableau 14 à la page 25.

- Si le pressostat s'ouvre pour plus de deux secondes durant l'intervalle de prébalayage, le S9200U1000 passe à l'état de « Wait for Pressure Switch to close » (Attendre la fermeture du pressostat).

## Commande de l'allumeur à incandescence (HSI)

L'allumeur à incandescence est directement alimenté par une entrée de tension secteur. Le temps de réchauffement HSI est plus court pour le premier essai d'allumage lors de l'utilisation d'un second réglage de durée de réchauffement 17/27 secondes et plus long pour des essais subséquents. Voir le tableau 10 à la page 13.

## Mode de refroidissement normal

Un appel de refroidissement est signalé par :

- Le court-circuit du R/2 à Y.
- Le court-circuit du R/2 à Y et du G simultanément.
- Une demande de refroidissement EnviraCOM™ de n'importe quel niveau.

Reportez-vous à la fig. 10 à la page 20 pour connaître le schéma de séquences.

## Mode de ventilateur

En mode de fonctionnement du ventilateur :

- Si le S9200U1000 n'est pas en train de répondre à une autre demande du circulateur, le circulateur se met sous tension à la vitesse de chauffage lorsque le R/2 est court-circuité à G et mis hors tension une fois la demande satisfaite. La fonction G peut également être reçue sous forme de message Envira-COM™.
- Si le S9200U1000 répond à une demande de ventilation et qu'un appel de refroidissement se manifeste, les commutateurs de circulateur passent à la vitesse de refroidissement après le délai de marche air froid du ventilateur.

- Si le S9200U1000 répond à une demande de ventilation et qu'un appel de chaleur se manifeste, le circulateur reste sous tension à la vitesse de chauffage.

Reportez-vous à la fig. 11 à la page 20 pour connaître le schéma de séquences.

## Régulateur d'humidité

La sortie tension secteur de l'humidificateur se met sous tension en même temps que la roue de tirage.

## Filtre à air électronique

La sortie tension secteur de l'EAC se met sous tension en même temps que le circulateur.

## II. VÉRIFICATION DE LA COUPURE DE SÉCURITÉ

1. Coupez l'alimentation en gaz au niveau du robinet de gaz manuel de l'appareil.
2. Réglez le thermostat sur Appel de chaleur. Le système doit fonctionner comme l'indique la fig. 9 à la page 19.
3. Après le verrouillage, ouvrez le robinet de gaz manuel et assurez-vous qu'il n'y a pas d'écoulement de gaz vers le brûleur.

## Situations d'erreur

La section suivante énumère la séquence de fonctionnement du S9200U1000 pour les situations d'erreur énoncées.

### Détection de la vanne principale

Le S9200U1000 surveille la sortie de la vanne durant les situations suivantes :

- Mode de veille
- États non liés à une défaillance de la séquence d'allumage
- États non liés à une défaillance du pressostat
- La rétroaction de la vanne principale n'est pas surveillée, si le limiteur est ouvert et que la roue de tirage ne fonctionne plus, jusqu'à 180 s après l'ouverture du limiteur dans d'autres situations/états.

### TRAITEMENT DE LA RÉTROACTION DE LA VANNE PRINCIPALE

Si la roue de tirage est hors tension ou sous tension pendant que le pressostat est encore ouvert et que la tension est détectée au niveau de la vanne pendant une période de temps plus longue que la durée de la défaillance de l'antirebond (mauvais branchements) :

- Toutes les sorties sont coupées sauf celle de la roue de tirage, qui reste sous tension.
- Le circulateur est mis sous tension à la vitesse de chauffage.
- Si un appel de refroidissement se manifeste, le régulateur met le circulateur sous tension à la vitesse de refroidissement une fois le délai approprié écoulé.
- Un code d'erreur clignote indiquant un dysfonctionnement du matériel. Voir le tableau 12 à la page 21.
- Une alarme EnviraCOM™ est activée et envoyée au bus. Voir le tableau 14 à la page 25.



Si la tension n'est plus détectée au niveau de la vanne pendant une durée plus longue que celle de la défaillance de l'antirebond :

- Si le nombre de robinets de gaz soudés détectés/de mauvais branchements de fils n'a pas atteint 5 (depuis la dernière mise sous tension), le S9200U1000 passe au verrouillage de premier niveau. Le S9200U1000 demeure en mode de verrouillage de premier niveau pendant le délai d'autoréinitialisation.
- Si le nombre de robinets de gaz soudés détectés/de mauvais branchements de fils n'a pas atteint 5 (depuis la dernière mise sous tension), le S9200U1000 passe au verrouillage de deuxième niveau où il reste jusqu'à la réinitialisation de l'alimentation. Une alarme EnviraCOM™ indiquant la nécessité de procéder à une réinitialisation manuelle est activée et envoyée au bus. Voir le tableau 14 à la page 25.

Si la roue de tirage est mise sous tension ou si le pressostat est fermé et que la roue de tirage n'est pas mise sous tension (le pressostat est bloqué en position fermée) et les contacts de relais de la vanne principale détectés sont fermés, malgré que le relais n'est pas mis sous tension (contacts soudés) :

- Un code d'erreur clignote indiquant un dysfonctionnement du matériel. Voir le tableau 12 à la page 21.
- Une alarme EnviraCOM™ est activée et envoyée au bus. Voir le tableau 14 à la page 25.
- La roue de tirage s'interrompt immédiatement pour tenter d'ouvrir le pressostat. Si, après 5 secondes, une flamme est détectée ou que de la tension est détectée au niveau de la vanne principale, le S9200U1000 met la roue de tirage et le circulateur sous tension à la vitesse de chauffage.

En l'absence de détection de flamme et de tension au niveau de la vanne principale :

- Le S9200U1000 passe au verrouillage de premier niveau si le nombre de robinets de gaz détectés/de mauvais branchements de fils n'a pas atteint 5 (depuis la dernière mise sous tension). Le S9200U1000 demeure en mode de verrouillage de premier niveau pendant la période d'autoréinitialisation. Autrement, le S9200U1000 passe en mode de verrouillage de deuxième niveau qu'il privilégie jusqu'à la réinitialisation de l'allumage.

Si la tension n'est pas détectée au niveau de la vanne pendant une période plus longue que celle correspondant à la durée de la défaillance de l'antirebond alors que la vanne doit être mise sous tension (les contacts ne se sont pas établis) :

- le S9200U1000 procède comme si la flamme n'est pas détectée. Si le verrouillage de premier niveau est activé en raison de cette situation :
  - Un code d'erreur clignote indiquant un dysfonctionnement du matériel. Voir le tableau 12 à la page 21.
  - Une alarme EnviraCOM™ est activée et envoyée au bus. Voir le tableau 14 à la page 25.

## Flamme hors séquence

Le S9200U1000 ne réagit pas en cas de détection d'une flamme en mode de veille en l'absence d'un appel de chaleur.

Si le S9200U1000 répond à un appel de chaleur et qu'une flamme est détectée lorsqu'elle ne devrait pas, les séquences d'allumage et de ventilation ne peuvent pas progresser et le S9200U1000 reste dans son état actuel. L'exception concerne le réchauffement de l'allumage, lorsque le S9200U1000 exécute un prébalayage.

Si la flamme détectée s'éteint avant la période de reconnaissance de la fausse flamme, la séquence d'allumage se déroule normalement.

Par contre, si la flamme détectée reste allumée plus longtemps que la période de reconnaissance de la fausse flamme :

- L'allumage se met hors tension, la roue de tirage se met sous tension et le circulateur se met sous tension à la vitesse de chauffage.
- Un code d'erreur clignote indiquant que la flamme détectée hors séquence. Voir le tableau 12 à la page 21.
- Une alarme EnviraCOM™ est activée et envoyée au bus. Voir le tableau 14 à la page 25.
- Lorsque la flamme détectée s'éteint, le S9200U1000 exécute un postbalayage, suivi du mode de veille au cours duquel le code d'erreur est effacé.

## Tension de secteur et détection de la prise à la terre

Le circuit de tension secteur est surveillé déceler une polarité inversée en mode de veille dans tous les états non liés à une défaillance sauf le réchauffement du HSI.

- Si une polarité inversée est détectée pendant une période plus longue que celle correspondant à la durée de la défaillance de l'antirebond, toutes les demandes de chaleur sont ignorées.
- Un code d'erreur clignote indiquant que la polarité de tension de secteur est inversée. Voir le tableau 12 à la page 21.
- Une alarme EnviraCOM™ est activée et envoyée au bus. Voir le tableau 14 à la page 25.
- Les demandes de ventilation et de refroidissement s'effectuent normalement.

La détection de la tension de secteur requiert une alimentation de référence mise à la terre de 120 V c.a (nominale) munie d'une connexion électrique entre le transformateur secondaire et la mise à la terre.

- Si la connexion du transformateur secondaire au bâti, ou du bâti à la mise à la terre sont manquantes ou fournissent un mauvais contact électrique, le S9200U1000 exécute un « verrouillage autocontrôlé ».
- Un code d'erreur clignote indiquant l'absence de masse de tension secteur. Voir le tableau 12 à la page 21.
- Une alarme EnviraCOM™ est activée et envoyée au bus. Voir le tableau 14 à la page 25.
- Les demandes de ventilation et de refroidissement s'effectuent normalement.

Ces deux défaillances (détecteur de tension secteur et de mise à la terre) sont combinées en une seule défaillance détectable.

## Détection d'une flamme faible

Le S9200U1000 affiche un code d'erreur si, après un essai d'allumage réussi et un fonctionnement en mode de déclenchement normal, le S9200U1000 détecte un signal de flamme faible pendant plus de cinq secondes.

- Lorsque la flamme est faible, le voyant DEL de flamme (ambre) clignote indiquant un signal de flamme faible. Voir le tableau 12 à la page 21.

- Une alarme EnviraCOM™ est activée et envoyée au bus. Voir le tableau 14 à la page 25.

Pour effacer le code d'erreur, une flamme de forte intensité doit être détectée pendant plus de cinq secondes sans quoi la demande de chaleur est supprimée.

## Détection d'une entrée basse tension de 24 V c.a.

Si une entrée basse tension de 24 V c.a. est détectée, le S9200U1000 coupe tous les relais, ignore toutes les demandes et attend jusqu'à ce que la tension se rétablisse.

- Le S9200U1000 affiche un code d'erreur par intermittence pour indiquer une basse tension de 24 V. c.a. Voir le tableau 12 à la page 21.
- Une alarme EnviraCOM™ est activée et envoyée au bus. Voir le tableau 14 à la page 25. L'alarme pourrait ne pas être transmise en raison d'une basse tension secteur, mais sera conservée dans l'historique des alarmes.

Lorsque la tension se rétablit, le S9200U1000 se remet à fonctionner normalement cinq s après la suppression de la défaillance.

## Fusible défaillant

Si un fusible défaillant est détecté, le S9200U1000 se comporte de la manière suivante :

- Les demandes de thermostat qui sont en cours deviennent inactives et sont interrompues comme si elles avaient été annulées.
- Toutes les nouvelles demandes de thermostat sont ignorées.
- Le S9200U1000 affiche un code d'erreur par intermittence pour indiquer un fusible défaillant. Voir le tableau 12 à la page 21.
- Une alarme EnviraCOM™ est activée et envoyée au bus. Voir le tableau 14 à la page 25. L'alarme pourrait ne pas être transmise en raison d'une basse tension secteur, mais sera conservée dans l'historique des alarmes.

Une fois qu'un bon fusible a été détecté, le S9200U1000 retourne en mode de fonctionnement normal par l'intermédiaire d'une micro réinitialisation.

## Verrouillage de premier niveau

Le verrouillage de premier niveau est conçu pour empêcher le lancement d'un nouveau cycle de chauffage pendant un certain temps après la survenue de la défaillance liée à la séquence de chauffage. Le comportement du verrouillage de premier niveau est défini comme suit :

- Les demandes de chaleur du thermostat sont ignorées.
- Les demandes de refroidissement du thermostat sont traitées normalement.
- Les demandes de ventilation sont traitées normalement.
- Le S9200U1000 affiche un code de panne par intermittence identifiant la défaillance qui a causé la transition vers le verrouillage de premier niveau. Voir le tableau 12 à la page 21.
- Une alarme EnviraCOM™ indiquant que la défaillance est activée et envoyée au bus. Voir le tableau 14 à la page 25.

La réinitialisation du S9200U1000 du mode de verrouillage de premier niveau peut s'effectuer des trois façons suivantes :

- Alimentation de la mise en cycle : coupure du courant pendant plus de 10 secondes.
- Réinitialisation de thermostat : suppression de l'appel de chaleur pendant plus de cinq s, mais moins de 20 secondes.
- Autoréinitialisation : Le S9200U1000 quitte automatiquement le verrouillage de premier niveau une fois le délai de réinitialisation automatique expiré si la cause du verrouillage de premier niveau n'a pas été corrigée.

## Verrouillage de deuxième niveau

Le verrouillage de deuxième niveau est conçu pour empêcher le lancement d'un nouveau cycle de chauffage après une sérieuse défaillance liée au chauffage (p. ex. ouverture de l'interrupteur du système). Le verrouillage de deuxième niveau s'effectue de la façon suivante :

- Les demandes de chaleur du thermostat sont ignorées.
- Les demandes de refroidissement du thermostat sont traitées normalement.
- Les demandes de ventilation sont traitées normalement.
- Le S9200U1000 affiche un code de panne par intermittence identifiant la défaillance qui a causé la transition vers le verrouillage de deuxième niveau. Voir le tableau 12 à la page 21.
- Une alarme EnviraCOM™ indiquant la nécessité de procéder à une réinitialisation manuelle est activée et envoyée au bus. Voir le tableau 14 à la page 25.

Le S9200U1000 demeure dans cet état jusqu'à la réinitialisation de l'alimentation manuelle.

## Verrouillage autocontrôlé

Le verrouillage de deuxième niveau est conçu pour empêcher le lancement d'un nouveau cycle de chauffage après que le mécanisme d'autovérification a détecté une défaillance liée au matériel. Fonctionnalité du S9200U1000 durant un verrouillage autocontrôlé :

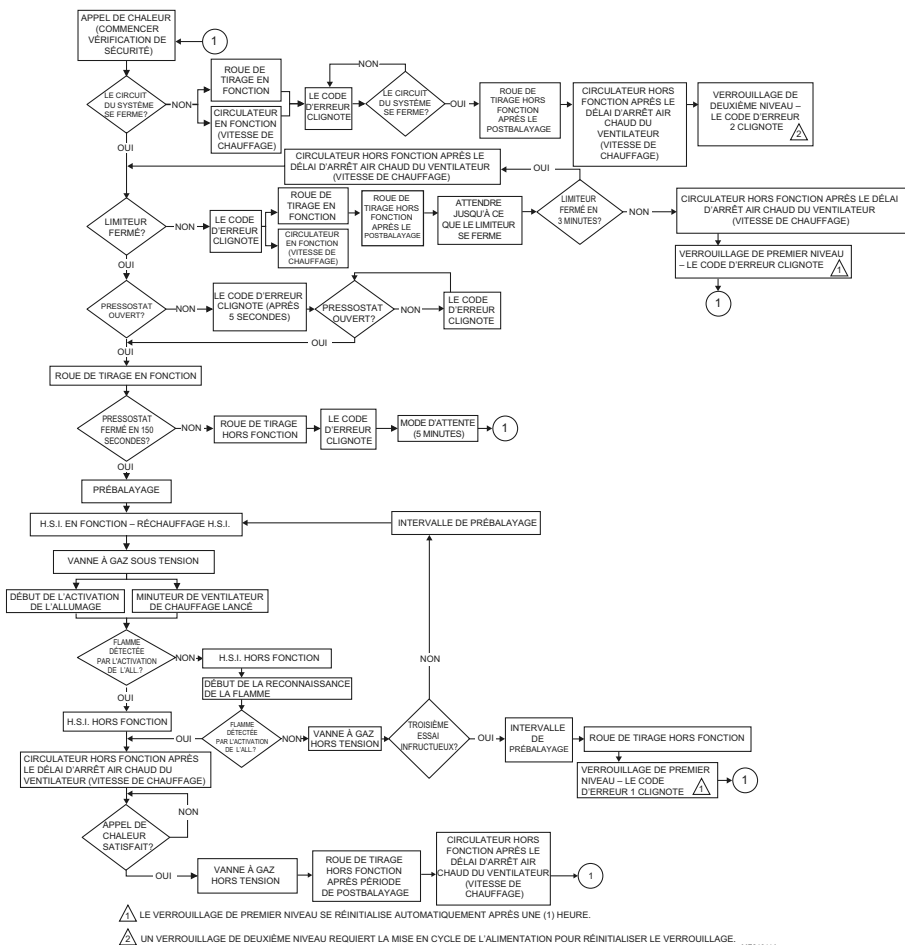
- Les demandes de chaleur du thermostat sont ignorées.
- Les demandes de refroidissement du thermostat sont traitées normalement.
- Les demandes de ventilation sont traitées normalement.
- Le S9200U1000 affiche un code de panne par intermittence identifiant la défaillance qui a causé la transition vers le verrouillage autocontrôlé. Voir le tableau 12 à la page 21.
- Une alarme EnviraCOM™ indiquant que la défaillance est activée et envoyée au bus. Voir le tableau 14 à la page 25.
- Le S9200U1000 demeure dans cet état jusqu'à ce que l'anomalie disparaisse.

Pour que le S9200U1000 reprenne un fonctionnement normal, aucune défaillance ne doit être présente pendant le délai de retour du verrouillage autocontrôlé qui est de cinq minutes.

## Séquences de fonctionnement

Les figures 9 à 11 apparaissant dès le début à la page 17 décrivent le fonctionnement de la commande du S9200U1000.

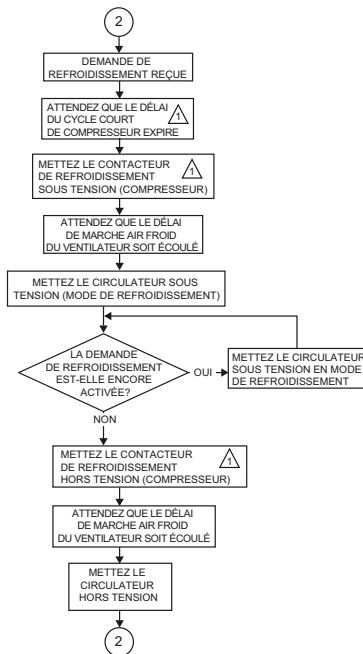
1. APPEL DE CHALEUR



MF24911A

Fig. 9. Séquence S9200U1000 – cycle Mode de Chauffage.

2. APPEL DE REFROIDISSEMENT

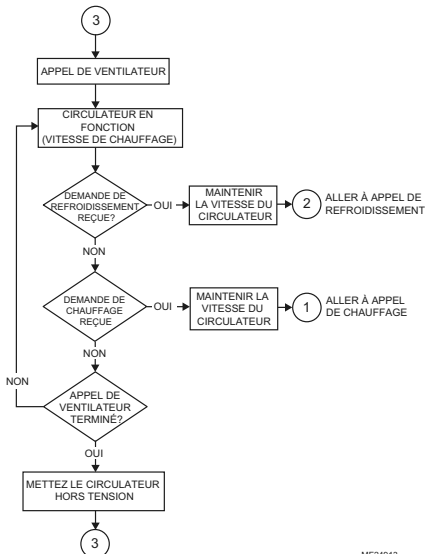


⚠ LE FONCTIONNEMENT DANS LE BLOC EST OMIS SI UN SYSTÈME MUNI D'UN THERMOSTAT TRADITIONNEL EST UTILISÉ. L'APPLICATION FONCTIONNE UNIQUEMENT DANS LES SYSTÈMES DOTÉS D'UN THERMOSTAT ENVIRACOM™.

MF24912A

Fig. 10. Séquence S9200U1000 - cycle Mode de refroidissement.

3. APPEL DE VENTILATEUR



MF24913

Fig. 11. Séquence S9200U1000 - cycle Mode de ventilation.

## DÉPANNAGE

### ⚠ AVERTISSEMENT

**Risque d'incendie, d'explosion ou de choc électrique. Peut causer des dégâts et des blessures graves, voire mortelles.**  
Ne pas tenter de modifier en aucune façon les caractéristiques physiques et électriques de ce dispositif. Le remplacer si le dépannage indique un dysfonctionnement.

#### IMPORTANT

1. Les codes de statut soulignés dans les tableaux 11, 12 et 13 à partir du début à la page 20 sont offerts à titre indicatif. Suivez les instructions du fabricant de l'appareil si elles sont disponibles.
2. Munissez-vous des relevés de mesure établis lors de la période d'essai d'allumage. Une fois la période d'allumage terminée, avant de continuer, réinitialisez le système en baissant le thermostat pendant au moins 5 s mais moins de 20 s.
3. Si un organe ne fonctionne pas correctement, assurez-vous qu'il est correctement installé et raccordé avant de le remplacer.
4. Une décharge statique peut endommager le régulateur d'appareil de chauffage intégré. Touchez une surface métallique de l'appareil pour vous décharger de l'électricité statique avant de toucher le régulateur d'appareil de chauffage.
5. Le S9200U1000 ne peut pas être réparé. S'il est défaillant, remplacez-le.
6. Seuls des techniciens d'entretien formés et expérimentés peuvent faire l'entretien des systèmes de régulation d'appareil de chauffage intégré. Effectuez la procédure de « Vérification » à la page 13 avant d'exécuter la procédure de dépannage.

## Indicateurs DEL

Le S9200U1000 dispose de trois voyants DEL. Les trois voyants DEL sont placés de gauche à droite comme le montre la fig. 4 à la page 9 :

### • Flamme - voyant DEL ambre

Le voyant DEL indique l'état de la flamme comme une flamme faible ou une absence de flamme. Les codes d'état de la flamme sont mis en correspondance le tableau 11 à la page 21.

### • ÉTAT - voyant DEL rouge

Le voyant rouge DEL indique l'état général du système, comme la présence d'un appel de chaleur et de codes d'erreur variés. Les codes d'état des voyants DEL sont mis en correspondance dans le tableau 12 à la page 21.

### • E-COM - voyant DEL vert

Le voyant DEL vert indique que la transmission EnviraCOM™ est en cours. Le voyant DEL est directement lié à la communication du bus EnviraCOM™. Les codes d'état du voyant DEL E-COM sont mis en correspondance dans le tableau 13 à la page 23.

- Un message type transmis apparaît comme un clignotement rapide d'un voyant DEL vert.

- Un message type reçu prend la forme d'un clignotement unique indiquant que le S9200U1000 reconnaît le message.

REMARQUE : Le voyant DEL E-COM est activé même si un thermostat traditionnel régule l'appareil.

## Descriptions des codes de clignotement

Les codes de clignotement DEL se produisent à des intervalles variés. Chaque pulsation indique un type de fonction/de message spécifique.

- Clignotement périodique (normal) : 0,5 seconde sur marche, 0,5 seconde sur arrêt.
- Impulsion : un clignotement de 0,25 seconde suivi d'un arrêt de 3,75 s.
- Pulsation : cycles d'allumage brillant constant de 0,5 seconde, d'allumage atténué de 0,5 seconde.
- Modèle de défaillance de voyant DEL standard (unique X clignotement) : le voyant DEL clignote X fois à 2 Hz, puis arrête de clignoter pendant 3 s.
- Le modèle de défaillance de voyant DEL avancé (clignotement X + Y) : Le voyant DEL clignote X fois à 2 Hz, s'éteint pendant une seconde, clignote Y fois à 2 Hz, reste éteint pendant trois s, puis répète la séquence.

Tableau 11. Codes de statut de flamme (voyant DEL ambre).

Code de clignotement <sup>a</sup>	Code d'état du voyant DEL ambre et description de l'erreur	Vérifiez/réparez
ARRÊT	Commande alimentée - aucune flamme	Ne s'applique pas (fonctionnement normal)
Pulsation	Commande alimentée - appel de chaleur - présence de flamme	Ne s'applique pas (fonctionnement normal)
Clignotement périodique <sup>b</sup>	Appel de chaleur - courant de basse flamme	Vérifiez : Électrode de flamme pour la contamination ou le desserrement de fil; gaz basse pression.
Pulsation	Appel de chaleur - détection de flamme hors séquence - flamme encore présente	Vérifiez/réparez : flamme aux brûleurs; si présente remplacez la vanne à gaz.
ARRÊT	Toutes les conditions	Ne s'applique pas

<sup>a</sup> Descriptions des codes de clignotement :

- Impulsion : un clignotement de 0,25 seconde suivi d'un arrêt de 3,75 s.
- Pulsation : cycles d'allumage brillant constant de 0,5 seconde, allumage atténué de 0,5 seconde.
- Clignotement périodique : 0,5 seconde sur marche, 0,5 seconde sur arrêt. Durant le rappel historique local, cette défaillance est indiquée par un clignotement suivant un modèle de 1 + 2.

<sup>b</sup> Durant le rappel historique local, cette défaillance est indiquée par un clignotement suivant un modèle de 1 + 2.

Tableau 12. Codes d'état du régulateur (voyant DEL rouge).

Code de clignotement <sup>a</sup>	Code d'état du voyant DEL rouge et description de l'erreur	Vérifiez/réparez
Pulse	Régulateur d'impulsions sous tension (veille; aucun appel de chaleur)	Ne s'applique pas
Pulsation	Appel de chaleur - fonctionnement normal	Ne s'applique pas (fonctionnement normal)
Codes de pressostat		
2	Le pressostat ne s'est pas ouvert	Vérifiez : Si la roue de tirage fonctionne, celle-ci ou son relais pourraient être endommagés ou débranchés, ou le relais de roue de tirage (K4) pourrait être défaillant. Vérifiez/réparez : basse tension; câblage du pressostat desserré; tuyau débranché ou qui fuit; eau dans le tuyau; ventilation bloquée ou obstruée.

Tableau 12. Codes d'état du régulateur (voyant DEL rouge). (suite)

Code de clignotement <sup>a</sup>	Code d'état du voyant DEL rouge et description de l'erreur	Vérifiez/réparez
3	Le pressostat ne s'est pas fermé	Vérifiez : si la roue de tirage est arrêtée; le relais de roue de tirage (K4) devrait être soudé. Vérifiez/réparez : Bornes de câblage (court-circuitées); contacts du pressostat (fermés lorsqu'ils devraient être ouverts); eau accumulée ou obstruction dans les tuyaux de pressostat.
4	Pressostat ouvert durant l'essai d'allumage ou le mode de fonctionnement	Vérifiez : si la roue de tirage fonctionne. Vérifiez/réparez : ventilation restreinte; basse tension d'entrée; eau dans les longueurs de tuyaux de ventilation horizontaux.
Code de limite		
5	Limiteur ouvert	Vérifiez : câblage; débit d'air obstrué dans l'échangeur de chaleur; filtres bloqués; basse vitesse du ventilateur du circulateur.  Réparez : débloquez l'échangeur de chaleur ou les filtres. Augmentez la circulation d'air dans la fournaise (augmentez la vitesse du moteur, ouvrez un plus grand nombre de conduits, ajoutez des retours).
Code de flamme		
6	Flamme inattendue - attendez 20 s que la flamme s'éteigne	Vérifiez/réparez : Fuite de la vanne à gaz.
Codes de verrouillage de premier niveau		
2 + 1	Verrouillage de premier niveau - excède le maximum de tentatives d'essai	Vérifiez/réparez : alimentation en gaz (pression alimentation, vannes de sectionnement, vanne à gaz); allumage (élément HSI incorrectement positionné et brillant); détection de la flamme (fil du capteur endommagé ou mis à la masse, électrode de flamme incorrectement positionné ou contamination de l'électrode de flamme); basse tension.
2 + 3	Verrouillage de premier niveau - A dépassé le maximum de remises en cycle ou de tentatives d'essai lorsque la dernière remise en cycle/tentative d'essai était attribuable à l'ouverture du pressostat	Vérifiez/réparez : câblage de pressostat; roue de tirage basse vitesse; ventilation restreinte, excessive ou obstruée; tension secteur instable.
2 + 4	Verrouillage de premier niveau - A dépassé le maximum de remises en cycle lorsque la dernière remise en cycle était attribuable à la défaillance de la flamme	Vérifiez/réparez : alimentation en gaz; câblage du détecteur de flamme.
2 + 5	Verrouillage de premier niveau - A dépassé le maximum de remises en cycle lorsque la dernière remise en cycle était attribuable à l'ouverture du circuit du limiteur ou ouverture du limiteur supérieure à trois minutes	Vérifiez : câblage; débit d'air obstrué dans l'échangeur de chaleur; filtres bloqués; basse vitesse du ventilateur du circulateur.  Réparez : débloquez l'échangeur de chaleur ou les filtres. Augmentez la circulation d'air dans la fournaise (augmentez la vitesse du moteur, ouvrez un plus grand nombre de conduits, ajoutez des retours).
2 + 6	Verrouillage de premier niveau - la vanne à gaz n'a pas réussi	Vérifiez/réparez : vanne à gaz, câblage de la vanne à gaz. Remplacez le S9200U1000 si le problème persiste.
Codes du bâtiment		
3 + 1	Basse tension 24 V (le régulateur se réinitialise si l'erreur est corrigée)	Vérifiez/réparez : le transformateur basse tension et le circuit.  La tension nominale doit être de 24 V c.a pour une tension de secteur entrante de 120 V c.a. Vérifiez la basse tension dans tous les modes de demandes de thermostat pour vous assurer que les autres charges basse tension, par exemple le contacteur de 24 V c.a. de l'appareil extérieur, fonctionnent normalement.
3 + 2	Fusible défaillant	Vérifiez : câblage (limite, système, pressostat court-circuité au bâti; bus EnviraCOM™); la vanne à gaz pourrait être court-circuitée. Coupez le courant et remplacez le fusible par un fusible de même type. Remettez les appareils sous tension. Exécutez ensuite la séquence de chauffage. Si la défaillance se répète, remplacez le régulateur.

Tableau 12. Codes d'état du régulateur (voyant DEL rouge). (suite)

Code de clignotement <sup>a</sup>	Code d'état du voyant DEL rouge et description de l'erreur	Vérifiez/réparez
3 + 4	Erreur relative à la vanne à gaz - branchement ou soudure inadéquat (le régulateur redémarre si l'erreur est corrigée et n'a pas déjà été détectée plus de cinq fois)	Vérifiez/réparez : le câblage de la vanne à gaz. Remettez les appareils sous tension. Exécutez ensuite la séquence de chauffage.
3 + 5	Échec de la procédure d'autovérification du régulateur, erreur interne ou matériel défaillant (le régulateur redémarre si l'erreur est corrigée).  Cela couvre les erreurs relatives au matériel comme les défaillances du circuit du détecteur de flamme, les courts-circuits de broches, etc.	Remettez les appareils sous tension. Exécutez ensuite la séquence de chauffage. Si la défaillance se répète, remplacez le régulateur.
3 + 6	Polarité de tension secteur inversée ou faible mise à la terre (le régulateur redémarre si l'erreur est corrigée dans un délai de 5 minutes après la suppression de la défaillance).	Vérifiez : 1. Câblage d'entrée de tension secteur. Assurez-vous que le fil sous tension de la tension secteur est fixé au L1. 2. Le fil de masse reliant le régulateur à l'appareil et la mise à la terre de l'appareil. 3. La tension entre le neutre de la tension de secteur et le bâti de l'appareil. Si la tension dépasse 10 volts, réparez le câblage ou utilisez un autre circuit pour alimenter la fournaise avec un autre circuit doté d'une mise à la terre adéquate.  Réparez : inversez les entrées de tension de secteur si le fil sous tension de la tension secteur n'est pas relié à l'entrée L1.
Codes de verrouillage de deuxième niveau		
4 + 1	Verrouillage de deuxième niveau - circuit de l'interrupteur du système ouvert ou déjà ouvert.	Vérifiez/réparez : obstruction dans le conduit; échangeur de chaleur bloqué Vérifiez le brûleur. Vérifiez l'interrupteur du système ainsi que les câbles de l'interrupteur. Réinitialisez le système au besoin. Ne le faites pas fonctionner avant que les réparations ne soient effectuées. Remettez les appareils sous tension. Exécutez ensuite la séquence de chauffage. Si la défaillance se répète, remplacez le régulateur.
4 + 2	Verrouillage de deuxième niveau - le relais soudé de la vanne à gaz a été détecté cinq fois	Vérifiez/réparez : le câblage de la vanne à gaz. Remettez les appareils sous tension. Exécutez ensuite la séquence de chauffage. Si la défaillance se répète, remplacez le régulateur.

<sup>a</sup> Descriptions des codes de clignotement :

- Impulsion : un clignotement de 0,25 seconde suivi d'un arrêt de 3,75 s.
- Pulsation : cycles d'allumage brillant constant de 0,5 seconde, d'allumage atténué de 0,5 seconde.
- Durant le démarrage le voyant DEL D'ÉTAT clignote rapidement pendant environ 2 s. Si le S9200U1000 continue de clignoter rapidement (8 impulsions /seconde), le régulateur est défaillant et doit être remplacé.
- Séquence de défaillance de voyant DEL standard (unique X clignotement) : le voyant DEL clignote X fois à 2 Hz, puis arrête de clignoter pendant 3 s.
- Séquence de défaillance de voyant DEL avancé (clignotement X + Y) : le voyant DEL clignote X fois à 2 Hz, s'éteint pendant une seconde, clignote Y fois à 2 Hz, reste éteint pendant trois s, puis répète la séquence.

Tableau 13. Codes d'état E-COM (voyant DEL vert).

Code de clignotement	Code d'état du voyant DEL vert et description <sup>a</sup>	Vérifiez/réparez
Clignotement rapide	Activité du bus - message en cours de transmission	Ne s'applique pas (fonctionnement normal)
Clignotement unique	Activité du bus - confirmation de la réception du message	Ne s'applique pas (fonctionnement normal)
Arrêt	Bus inactif	Vérifiez/réparez : débranchez le S9200U1000 du câblage de bus externe, remettez les appareils sous tension et vérifiez l'activité du bus. En l'absence d'activité, réparez le câblage de bus externe/les appareils avant de rebrancher le S9200U1000. En l'absence d'activité, remplacez le régulateur.

<sup>a</sup> Ce voyant DEL est activé même si un thermostat traditionnel régle l'appareil.

## Historiques des codes d'état

Le S9200U1000 enregistre les dix (10) codes d'erreur les plus récents. Ces codes peuvent être rappelés dans le but de les afficher durant le dépannage et de les effacer au besoin.

### Rappel de l'historique des codes d'état

Vous pouvez effectuer la procédure suivante plusieurs fois pour confirmer que vous avez affiché tous les codes d'erreur actuellement enregistrés.

Pour rappeler l'historique de codes d'erreur et l'afficher en utilisant le voyant DEL d'état rouge, effectuez les opérations suivantes :

1. Placez un cavalier entre la borne à vis R/2 du thermostat et la borne à vis D/1.
  - Le voyant d'état DEL rouge cesse de fonctionner normalement et reste allumé pour indiquer la détection du cavalier dans un délai de 0,5 seconde.
2. Gardez le cavalier reliant les bornes à vis R/2 à D/1 en place.
  - Après une pause de 5 s, le voyant d'état DEL rouge s'éteint indiquant que le rappel du code d'erreur est en suspens.
3. Retirez le cavalier reliant les bornes à vis R/2 à D/1 en moins de 10 s après l'extinction du voyant DEL rouge.
  - Cette action active le rappel du code d'erreur.

#### IMPORTANT

*L'historique est effacé si le cavalier reliant les bornes R/2 à D/1 n'est pas retiré en moins de 10 s.*

4. Chaque code d'erreur sauvegardé fait clignoter le voyant d'état DEL rouge une fois en commençant par le dernier code d'erreur sauvegardé.

**REMARQUE :** Une fois l'historique d'erreurs effacé, le voyant d'état DEL rouge reprend immédiatement un fonctionnement normal.

5. Pour tous les écrans d'historique des erreurs, le voyant d'état DEL rouge permet de revenir au fonctionnement normal.

## Suppression de l'historique des codes d'état

Cette procédure supprime l'historique de codes de panne (erreur) dans son intégralité.

#### IMPORTANT

*Une fois cette procédure exécutée, elle ne peut plus être annulée.*

Pour effacer l'historique de codes d'erreur actuel, effectuez les opérations suivantes :

1. Placez un cavalier entre la borne à vis R/2 du thermostat et la borne D/1.
  - Dans un délai de 0,5 seconde, le voyant d'état DEL rouge cesse de fonctionner normalement et reste allumé pour indiquer la détection du cavalier.
2. Gardez le cavalier reliant la borne à vis R/2 du thermostat à l'entrée D/1 en place.
  - Après une pause de 5 s, le voyant d'état DEL rouge s'éteint.
  - Après une pause de 10 s, le voyant d'état DEL rouge s'éteint indiquant la suppression de l'historique des erreurs.
3. Une fois l'historique d'erreurs effacé, le voyant d'état DEL rouge reprend un fonctionnement normal.
4. Déposez le cavalier reliant la borne à vis R/2 du thermostat à la borne D/1.

## Communication EnviraCOM™

La communication EnviraCOM™ est une caractéristique standard du S9200U1000. L'EnviraCOM™ peut être utilisé pour réguler le fonctionnement du système au moyen d'un thermostat compatible EnviraCOM™ et effectuer des diagnostics évolués s'il est branché à des outils diagnostiques à distance compatibles EnviraLNK®, le OnWatch QuickLook™ 72 et le module d'accès téléphonique (TAM) W8735D. En plus des alarmes, des renseignements clés comme l'état et le courant de la flamme peuvent être transmis par l'intermédiaire du bus EnviraCOM™. Voir le tableau 14.



Tableau 14. Alarmes EnviraCOM™ du S9200U1000.

Description de l'alarme	Numéro d'alarme	Commentaires
Ce dispositif ne dispose pas d'alarmes	0	Ne s'applique pas
Le pressostat n'a pas réussi à se fermer durant la séquence d'allumage	1	Affichage/diagnostics
Le pressostat n'a pas réussi à s'ouvrir durant la séquence d'allumage	3	Affichage/diagnostics
Niveau de mise en garde du courant de la flamme pendant le fonctionnement	4	Affichage/diagnostics
Verrouillage de premier niveau du courant de la flamme	5	Affichage/diagnostics
Le nombre maximal d'incidents liés à la perte de flamme a été dépassé	22	Affichage/diagnostics
Limiteur ouvert	26	Affichage/diagnostics
Flamme détectée hors séquence	34	Affichage/diagnostics
Verrouillage de premier niveau attribuable à la remise en cycle; la dernière remise en cycle était attribuable au pressostat ouvert	85	Affichage/diagnostics
Verrouillage de premier niveau attribuable à la remise en cycle; la dernière remise en cycle était attribuable au limiteur ouvert	86	Affichage/diagnostics
Le pressostat ouvert durant le fonctionnement ou un essai pendant plus que le temps autorisé	98	Affichage/diagnostics
La vanne à gaz n'a pas réussi à se mettre sous tension	17	Affichage/diagnostics/EnviraLNK®/TAM
Les composants électroniques ne fonctionnent plus	18	Affichage/diagnostics/EnviraLNK®/TAM
Polarité de ligne inversée	33	Affichage/diagnostics/EnviraLNK®/TAM
Une réinitialisation manuelle est requise en raison de la limite du système	87	Affichage/diagnostics/EnviraLNK®/TAM
Problème lié à la mise à la terre	88	Affichage/diagnostics/EnviraLNK®/TAM
Défaillance d'un fusible détectée (REMARQUE : Cette alarme est sauvegardée dans l'historique de codes d'état)	92	Affichage/diagnostics/EnviraLNK®/TAM
Il a été détecté que le relais de la vanne à gaz est fermé alors qu'il devrait être ouvert.	100	Affichage/diagnostics/EnviraLNK®/TAM
Il est nécessaire d'effectuer une réinitialisation manuelle en raison de la condition de la vanne à gaz soudée qui a été détectée plus de fois que le maximum permis	124	Affichage/diagnostics/EnviraLNK®/TAM
Basse tension détectée pour l'entrée de 24 V c.a.	125	Affichage/diagnostics/EnviraLNK®/TAM

## Mode d'essai

Le S9200U1000 est équipé d'une fonction de mode de test qui permet à la commence de tester et de vérifier plusieurs paramètres critiques. Durant le mode d'essai, le S9200U1000 altère les temporisations de sécurité sélectionnées comme cela est décrit dans le tableau 15.

Tableau 15. Paramètres du mode d'essai.

Paramètre du mode d'essai	Temporisation modifiée
Prébalayage	5 secondes
Réchauffement HSI	17 secondes
Activation de l'allumage	3 secondes
Reconnaissance de la flamme	1 seconde
Essai d'allumage	4 secondes
Délai de marche air chaud du ventilateur	15 secondes
Délai d'arrêt air chaud du ventilateur	0 secondes
Postbalayage	5 secondes
Délai de marche air froid du ventilateur	2 secondes
Délai d'arrêt air froid du ventilateur	0 secondes

Le mode d'essai peut être accédé de plusieurs façons :

- Entrées du thermostat :
  - Effectuez une demande Y + G dans un délai de 3 s après une mise sous tension de 2 s.
  - Ensuite, annulez la demande Y + G et effectuez une demande W dans un délai de 10 s.
- Commande EnviraCOM™
- Le signal G signal active le circulateur en mode de test. En présence d'une demande G, le circulateur est régulé comme requis par la séquence de chauffage ou de refroidissement. Si une demande G est supprimée, le circulateur s'éteint durant la séquence de chauffage ou de refroidissement. En l'absence de demande de thermostat, une demande G cause la mise sous tension du circulateur. Le circulateur se met sous tension durant un cycle de chauffage si le limiteur s'ouvre, peu importe le signal G.

Si une défaillance survient durant le mode d'essai :

- Un code d'erreur clignote indiquant la défaillance. Voir le tableau 12 à la page 21.
- Une alarme EnviraCOM™ est activée et envoyée au bus. Voir le tableau 14 à la page 25.

Le programme quitte le mode d'essai en présence d'une

ou deux plusieurs des conditions suivantes :

- Fonctionnement de trois minutes
- Réception d'une commande EnviraCOM™ exigeant au mode d'essai de quitter le S9200U1000
- La mise en cycle de l'alimentation



QuickLook™ 72 est une marque de commerce de OnWatch Electronics Inc.

EnviraCom™ est une marque de commerce de Resideo.

EnviraLNK® est une marque déposée de Resideo.



Resideo Technologies, Inc.  
1985 Douglas Drive North, Golden Valley, MN 55422  
1-800-468-1502

[www.resideo.com](http://www.resideo.com) 69-2075EF-07 M.S. Rev. 06-20 | Imprimé aux États-Unis

© 2020 Resideo Technologies, Inc. All rights reserved.

This product is manufactured by Resideo Technologies, Inc. and its affiliates.

Tous droits réservés. Ce produit est fabriqué par Resideo Technologies, Inc. et ses sociétés affiliées.