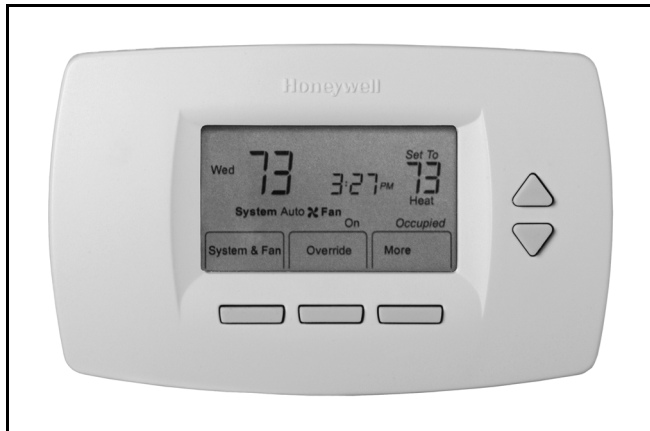


TB7100A1000 MultiPRO™

Multispeed and Multipurpose Thermostat

FOR CONVENTIONAL, HEAT PUMP, FAN COIL AND PTAC SYSTEMS

PRODUCT DATA



FEATURES

- Large, clear display with backlight shows the current and set temperature and time—even in the dark.
- Menu-driven programming make setup effortless.
- Beautiful ergonomic design is smart and sophisticated to match your customers' lifestyle.
- Real-time clock keeps time during power failures and automatically updates to daylight savings.
- “Saving Changes” notification lets you know when the schedule changes have been saved.
- Change reminders let you know when to replace the batteries.
- Holiday Override options allow you to override the program schedule, as desired.
- Speedy same-schedule programming—no need to copy multiple days.
- Armchair programming allows you to remove the thermostat from the wall for programming.
- Programmable or non-programmable modes.
- Remote setback input for occupancy sensors or timeclocks.
- VersaSpeed™ fan ramping algorithm and fan reset algorithm (fan coil and PTAC applications).
- Up to 3 fan speeds for fan coil and 2 speeds for PTAC applications.
- Remote indoor air sensing option (20K ohm or 10K ohm).

APPLICATION

The TB7100A1000 MultiPRO™ Multispeed and Multipurpose Thermostat is an effortless, seven-day programmable or non-programmable thermostat that provides universal system compatibility, precise comfort control and is easy-to-program.

The TB7100 provides temperature control for gas, oil, electric, heat pumps, PTACs, and fan coil equipment for the following types of applications:

- 1H/1C conventional
- Up to 2H/1C heat pump
- 4 pipe fan coil (3 fan speeds)
- 2 pipe fan coil (3 fan speeds)
- 2 pipe fan coil with Auxiliary Heat (3 fan speeds)
- PTAC (Hi, Lo fan speed)

Contents

Application	1
Specifications	2
Ordering Information	2
Installation	4
Wiring	5
Installer Setup	11
Operation	17
Troubleshooting (Table 12)	23



SPECIFICATIONS

Thermostat Description: See Table 1.

Electrical Ratings: See Table 2.

Temperature:

Ratings:

Operating Ambient:

TB7100: 0°F to 120°F (-18°C to 49°C).

C7189U: 5% to 95%.

Shipping: -30 °F to 150 °F (-34.4°C to 65.6°C).

Display Accuracy: ±1°F (±0.5°C).

Setpoint:

Range:

Heating: 40°F to 90°F (4°C to 32°C).

Cooling: 50°F to 99°F (10°C to 37°C).

Default Settings: See Table 3.

Humidity Ratings (RH, non-condensing):

TB7100: 5% to 90%.

C7189U: 5% to 95%.

Table 1. Thermostat Description.

Feature	Description
Powering methods	<ul style="list-style-type: none"> Battery only 24 Vac only 24 Vac with battery backup
System types	<ul style="list-style-type: none"> Conventional (1 Heat, 1 Cool Stages) Heat Pump (up to 2 Heat, 1 Cool Stages) 2 Pipe Fan Coil 2 Pipe Fan Coil with Auxiliary Heat 4 Pipe Fan Coil PTAC (up to 2 Heat, 1 Cool)
Changeover	Manual or Auto changeover selectable
System setting	Heat-Off-Cool-Auto
Fan setting	Auto-On
Fan Speeds	Low, Medium, High
Remote Setback	Remote Setback Input for occupancy sensor or DDC Setback
Fan Ramping Algorithm	VersaSpeed™ Fan Ramping Algorithm for Automatic Fan Speed Selection (fan coil and PTAC applications)

Table 2. Electrical Ratings

Terminal	Voltage (50/60 Hz)	Running Current
W (Heating)	20 - 30 Vac	0.02 - 1.0A
Y (Cooling)	20 - 30 Vac	0.02 - 1.0A
G (Fan), G ₂ , G ₃	20 - 30 Vac	0.02 - 0.60A

Table 3. Energy Star Default Program Settings.

Schedule Period	Time	Setpoints	
		Heat	Cool
Occ1	8:00am	70°F (21°C)	75°F (24°C)
Unocc1	10:00pm	55°F (10°C)	85°F (29.5°C)
Occ2	—	—	—
Unocc2	—	—	—

Cycle Rates (at 50% Load):

Heating: Selectable 1 - 12 cycles per hour.

Cooling: Selectable 1 - 6 cycles per hour.

Interstage Differential:

Droopless control. Once the first stage is running at 90% load, the thermostat energizes the second stage.

Cool Indication: Displays “Cool On” when Cool is activated.

Heat Indication: Displays “Heat On” when Heat is activated.

Auxiliary Heat Indication: Displays “Aux. Heat On” when Auxiliary Heat is activated.

Clock Accuracy: ±1 minute per month.

Finish:

TB7100: Premier White® color.

C7189U Wall Mount Remote Indoor Sensor: Premier White® color.

TR21 Wall Mount Remote Indoor Sensor: Premier White® color.

Batteries:

Two replaceable AA alkaline batteries: Power thermostat when 24 Vac common is not used.

Non-replaceable lithium battery with ten-year life: Under normal conditions holds calendar and time settings.

ORDERING INFORMATION

When purchasing replacement and modernization products from your TRADELINE® wholesaler or distributor, refer to the TRADELINE® Catalog or price sheets for complete ordering number.

If you have additional questions, need further information, or would like to comment on our products or services, please write or phone:

- Your local Honeywell Automation and Control Products Sales Office (check white pages of your phone directory).
- Honeywell Customer Care
1885 Douglas Drive North
Minneapolis, Minnesota 55422-4386

In Canada—Honeywell Limited/Honeywell Limitée, 35 Dynamic Drive, Toronto, Ontario M1V 4Z9.

International Sales and Service Offices in all principal cities of the world. Manufacturing in Australia, Canada, Finland, France, Germany, Japan, Mexico, Netherlands, Spain, Taiwan, United Kingdom, U.S.A.

NOTE: Alkaline batteries keep calendar and time if lithium battery is no longer functional.

Resistance Characteristics of Remote Sensors:

- C7189U Remote Indoor Sensor: 10K ohm NTC.
- C7772 Flush-Mount Remote Indoor Sensor: 20K ohm NTC.
- TR21 Wall-Mount Remote Indoor Sensor: 20K ohm NTC.
- TR21-A Wall-Mount Remote Indoor Sensor: 10K ohm NTC.

Calibration (TB7100, C7089U, C7189U, T7770A):

No field calibration required.

Mounting Means:

- TB7100: Direct wall-mount using mounting screws and anchors provided. Fits standard vertical or horizontal 2 in. x 4 in. junction box.
- C7189U, TR21: Mounts directly on the wall using mounting screws and anchors provided. Fits a vertical 2 x 4 in. junction box.

Cover Plate:

32003796-001 Cover Plate is used to cover marks left on the wall by the old thermostat.

Dimensions:

- TB7100 Thermostat: See Fig. 1.
- C7189U Remote Indoor Sensor: see Fig. 4.
- TR21 Remote Indoor Sensor: See Fig. 3.
- 32003796-001 Cover Plate: See Fig. 2.

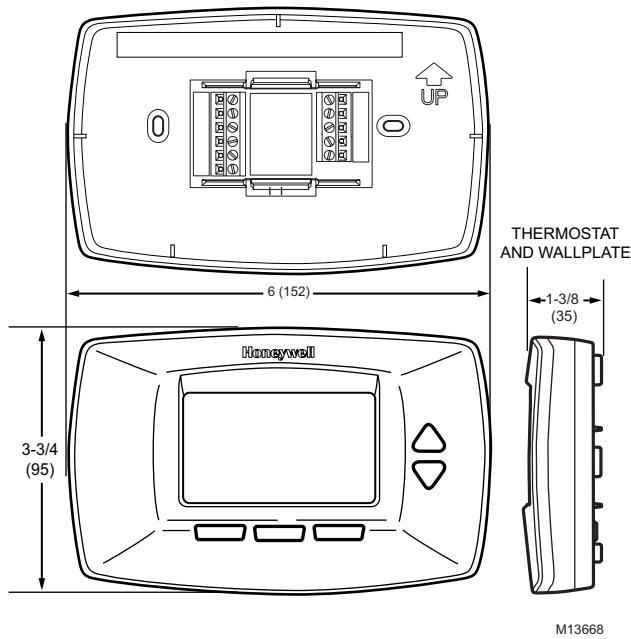
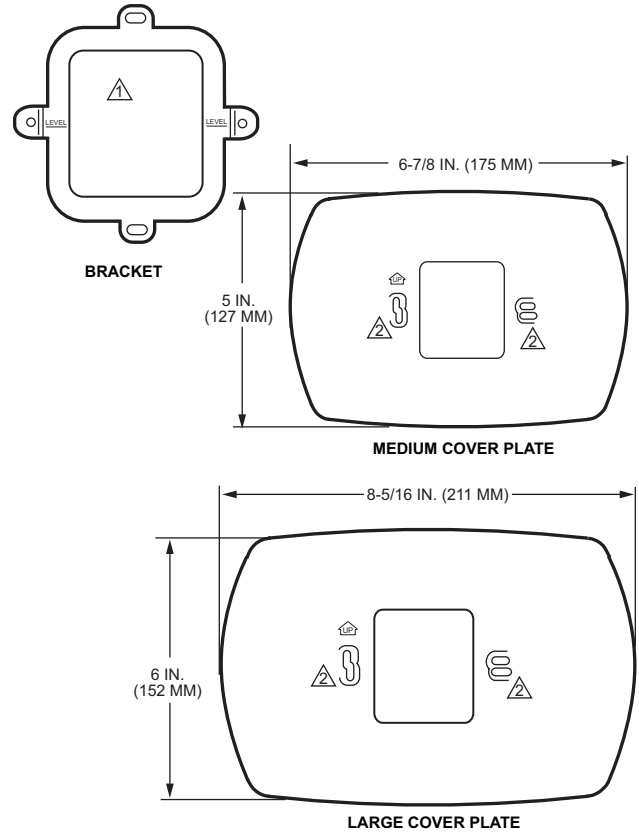


Fig. 1. TB7100 Thermostat dimensions in in. (mm).



- ⚠ BRACKET FOR MOUNTING ON JUNCTION BOX NOT INCLUDED WITH COVER PLATE.
- ⚠ USE BOTTOM MOUNTING HOLES.

M13669

Fig. 2. 32003796-001 Cover Plate dimensions in in. (mm).

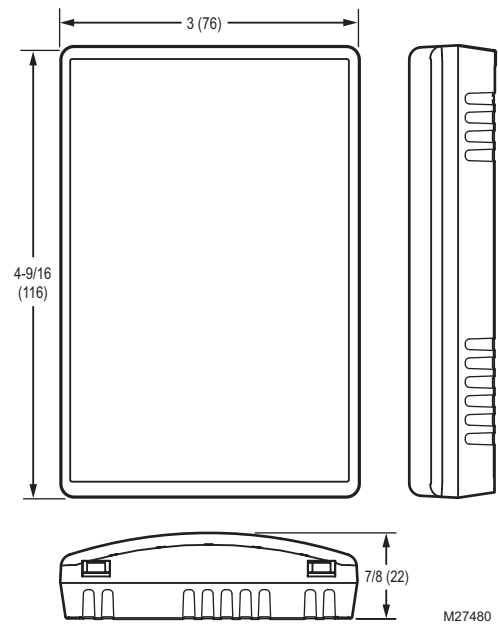
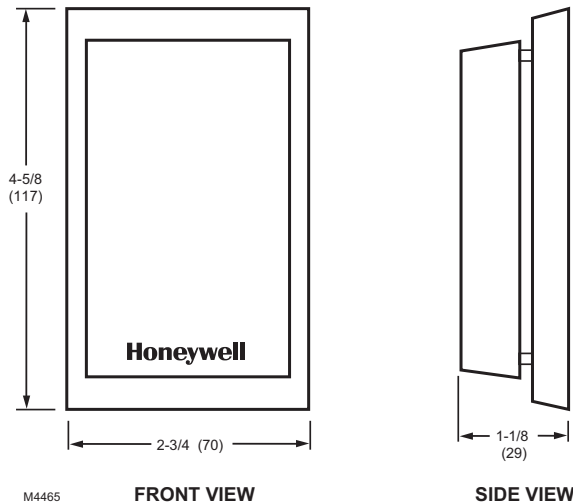


Fig. 3. TR21 indoor sensor dimensions in in. (mm).



M4465

FRONT VIEW

SIDE VIEW

Fig. 4. C7189U Indoor Sensor dimensions in in. (mm).



MERCURY NOTICE

If this control is replacing a control that contains mercury in a sealed tube, do not place your old control in the trash. Dispose of properly.

Contact your local waste management authority for instructions regarding recycling and the proper disposal of an old control.

INSTALLATION

When Installing this Product...

1. Read these instructions carefully. Failure to follow them could damage the product or cause a hazardous condition.
2. Check ratings given in instructions and on the product to ensure the product is suitable for your application.
3. Installer must be a trained, experienced service technician.
4. After installation is complete, check out product operation as provided in these instructions.



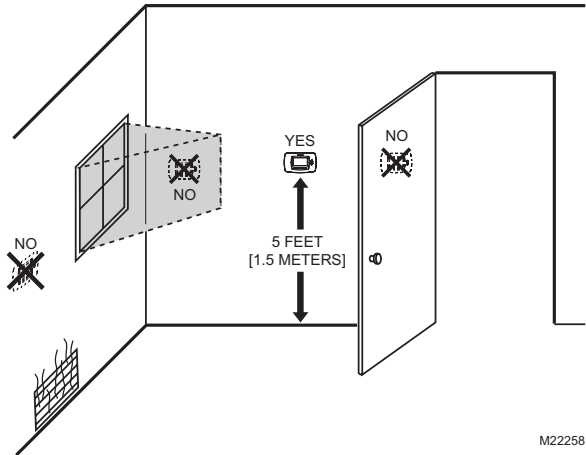
CAUTION

Electrical Shock or Equipment Damage Hazard.
Can shock individuals or short equipment circuitry.

Disconnect power supply before installation.

Select Thermostat Location

Select a location for the thermostat about 5 ft (1.5m) above the floor in an area with good air circulation at average temperature. See Fig. 5.



M22258

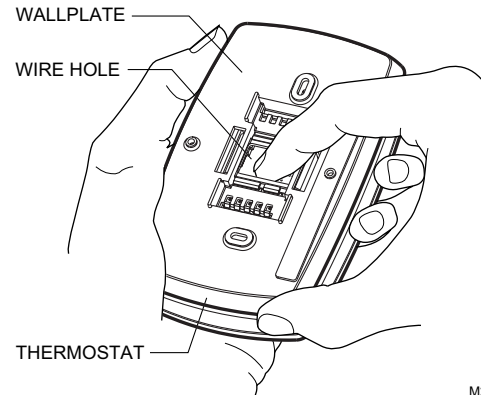
Fig. 5. Select thermostat location.

Do not install the thermostat where it can be affected by:

- Drafts or dead spots behind doors and in corners.
- Hot or cold air from ducts.
- Radiant heat from sun or appliances.
- Concealed pipes and chimneys.
- Unheated (uncooled) areas such as an outside wall behind the thermostat.

Separate Wallplate from Thermostat

1. Separate the wallplate from the thermostat. See Fig. 6.



M22267

Fig. 6. Separate wallplate from thermostat.

Install Wallplate (See Fig. 7)

Mount the thermostat horizontally on the wall:

1. Pull the wires through the wire hole on the wallplate.
2. Position the wallplate on the wall with the arrow pointing up. Level the wallplate for appearance only.
3. Use a pencil to mark the mounting holes.
4. Remove the wallplate from the wall and drill two 3/16 in. holes in the wall (if drywall) as marked. For firmer material such as plaster, drill two 7/32 in. holes. Tap the wall anchors (provided) into the drilled holes until flush with the wall.
5. Pull the wires through the wire hole on the wallplate and position the wallplate over the wall anchors.
6. Insert the mounting screws into the wall anchors and tighten.

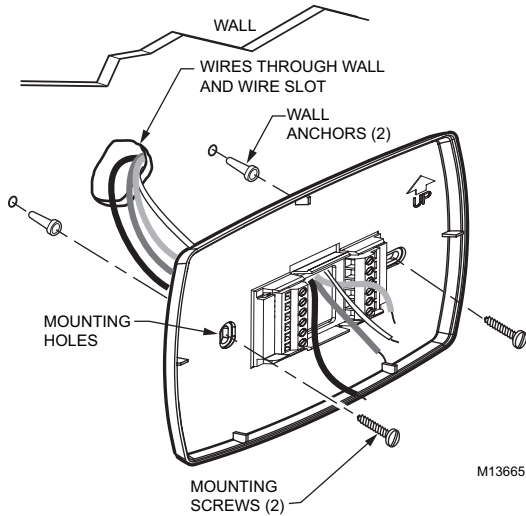


Fig. 7. Install wallplate.

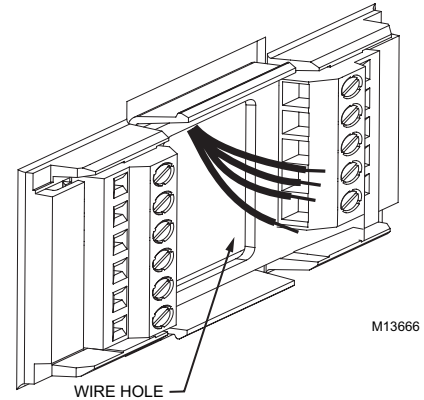


Fig. 9. Insert wires into terminal block.

4. Push excess wire back into the wall opening and restrict wires to the shaded area. See Fig. 10.
5. Plug the wall opening with nonflammable insulation to prevent drafts from affecting the thermostat.

WIRING



CAUTION

Electrical Shock Hazard.
Can cause electrical shock or equipment damage.
Disconnect power supply before connecting wiring.

IMPORTANT

- All wiring must agree with applicable codes, ordinances and regulations.
- Use 18 gauge thermostat wire. Shielded cable is not required.

NOTES:

- Refer to Table 5 for terminal designation descriptions.
- See Fig. 11 through 17 for wiring diagrams for specific equipment applications.

1. Select set of terminal identifications that correspond to your system type (conventional or heat pump). See Fig. 8.

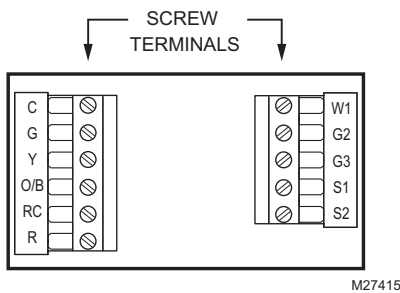


Fig. 8. Terminal identifications for system type.

2. Loosen screw terminals used for the application.
3. Insert the wires into the terminal block and tighten each screw terminal. See Fig. 9.

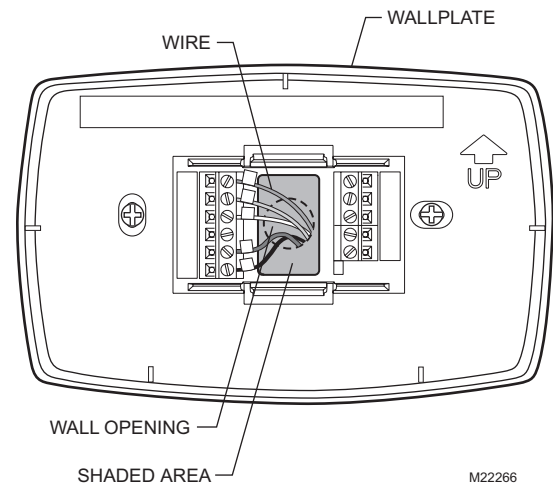


Fig. 10. Restrict wires to shaded area of wire hole.

Table 4. Wiring Diagrams.

System Type	Wiring Diagram Figure
Standard Heat/Cool (1H/1C)	11, 12
Heat Only	13
Heat Only with Fan	14
Cool only	15
Heat Pump (No Auxiliary Heat) (1H/1C)	16
Heat Pump (with Auxiliary Heat) (2H/1C)	17
4 Pipe Fan Coil	18
2 Pipe Fan Coil	19
2 Pipe Fan Coil with aux. heat	20
PTAC 1H/1C (High speed, Low speed fan)	21
PTAC 2H/1C (High speed, Low speed fan)	22
Multiple TR21 Sensors	25, 26, 27
Multiple C7189U Sensors	28

Table 5. Terminal Designation Descriptions.

Terminal Designation	Description
Rc (see Note 1)	Power for cooling—connect to secondary side of cooling system transformer.
R (see Note 1)	Power for heating—connect to secondary side of heating system transformer.
Y	Compressor output.
C (see Note 2)	Common wire from secondary side of cooling system transformer.
W1	Heat relay. Auxiliary heat relay for heat pump, PTAC.
G	Fan relay. Low fan speed for fan coil and PTAC.
G2	Medium fan speed. Fan coil.
G3	High fan speed. Fan coil and PTAC.
O/B (see Note 3)	Changeover valve for heat pumps.
S1 (See Note 4)	Indoor remote sensor, remote setback, or changeover input.
S2 (See Note 4)	Indoor remote sensor, remote setback, or changeover input.

NOTES:

- When used in a single-transformer system, leave metal jumper wire in place between Rc and R. If used on a two-transformer system, remove metal jumper wire between Rc and R.
- Common wire is optional when thermostat is used with batteries. When using separate transformers for heating and cooling, the common must come from the cooling transformer.
- If thermostat is configured for a heat pump in the Installer Setup, configure changeover valve for cool (O-factory setting) or heat (B).
- Sensor wires must have a cable separate from the thermostat control cable.

Conventional System Wiring

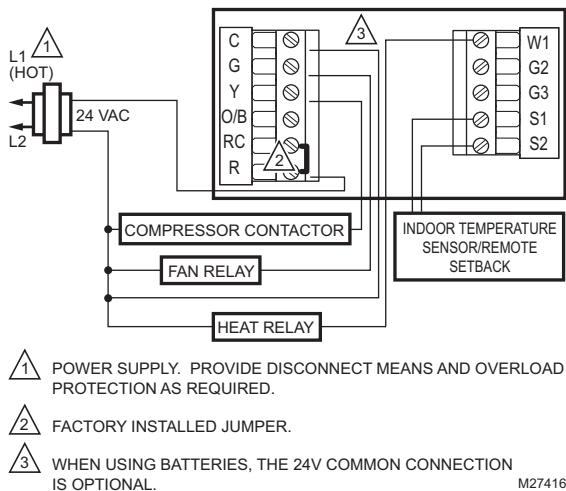


Fig. 11. Typical wiring of single transformer 1H/1C system.

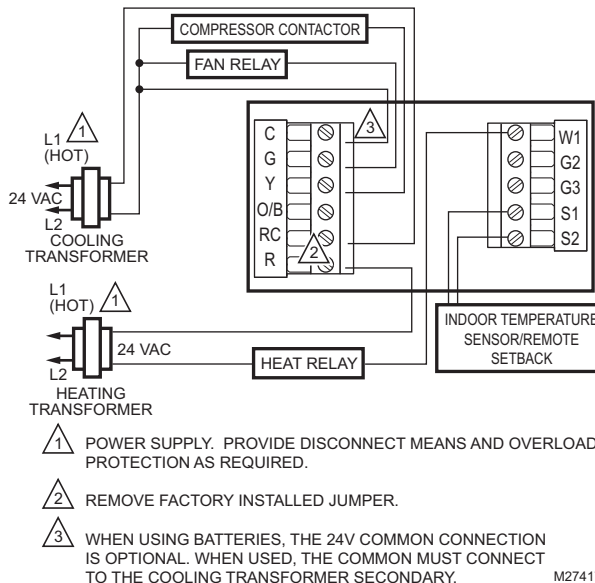
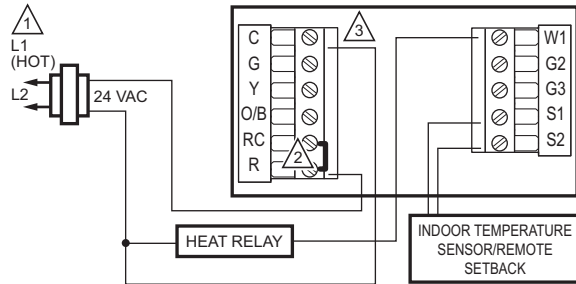
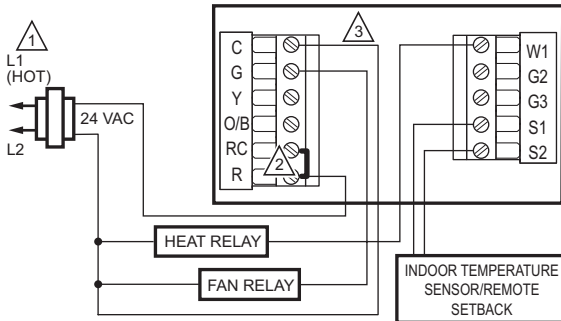


Fig. 12. Typical hookup of dual transformer 1H/1C system.



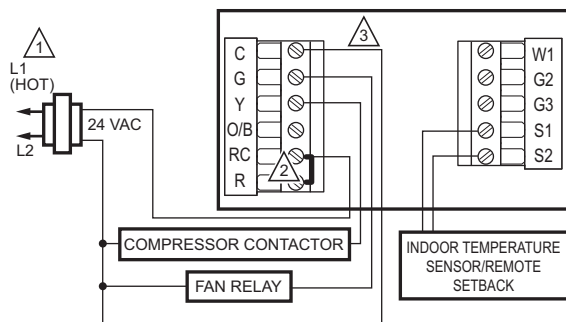
- 1 POWER SUPPLY. PROVIDE DISCONNECT MEANS AND OVERLOAD PROTECTION AS REQUIRED.
- 2 FACTORY INSTALLED JUMPER.
- 3 WHEN USING BATTERIES, THE 24V COMMON CONNECTION IS OPTIONAL.

Fig. 13. Typical hookup of heat-only system.



- 1 POWER SUPPLY. PROVIDE DISCONNECT MEANS AND OVERLOAD PROTECTION AS REQUIRED.
- 2 FACTORY INSTALLED JUMPER.
- 3 WHEN USING BATTERIES, THE 24V COMMON CONNECTION IS OPTIONAL.

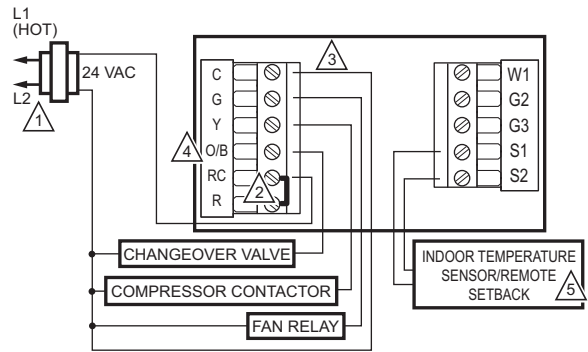
Fig. 14. Typical hookup of heat-only system with fan.



- 1 POWER SUPPLY. PROVIDE DISCONNECT MEANS AND OVERLOAD PROTECTION AS REQUIRED.
- 2 FACTORY INSTALLED JUMPER.
- 3 WHEN USING BATTERIES, THE 24V COMMON CONNECTION IS OPTIONAL.

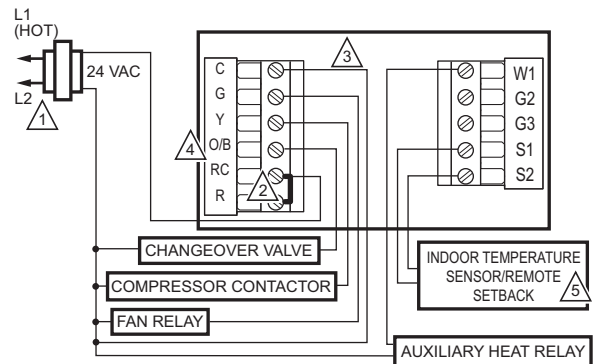
Fig. 15. Typical hookup of cool-only system.

Heat Pump System Wiring



- 1 POWER SUPPLY. PROVIDE DISCONNECT MEANS AND OVERLOAD PROTECTION AS REQUIRED.
- 2 FACTORY INSTALLED JUMPER.
- 3 WHEN USING BATTERIES, THE 24V COMMON CONNECTION IS OPTIONAL.
- 4 "O/B" TERMINAL SET TO CONTROL AS EITHER "O" OR "B" IN THE INSTALLER SETUP.
- 5 OPTIONAL INDOOR REMOTE SENSOR OR REMOTE SETBACK. WIRES MUST HAVE A CABLE SEPARATE FROM THE THERMOSTAT CABLE.

Fig. 16. Typical hookup of single-stage heat pump with no auxiliary heat (1H/1C).



- 1 POWER SUPPLY. PROVIDE DISCONNECT MEANS AND OVERLOAD PROTECTION AS REQUIRED.
- 2 FACTORY INSTALLED JUMPER.
- 3 WHEN USING BATTERIES, THE 24V COMMON CONNECTION IS OPTIONAL.
- 4 "O/B" TERMINAL SET TO CONTROL AS EITHER "O" OR "B" IN THE INSTALLER SETUP.
- 5 OPTIONAL INDOOR REMOTE SENSOR OR REMOTE SETBACK. WIRES MUST HAVE A CABLE SEPARATE FROM THE THERMOSTAT CABLE.

Fig. 17. Typical hookup of single-stage heat pump with auxiliary heat (2H/1C).

Fan Coil System Wiring

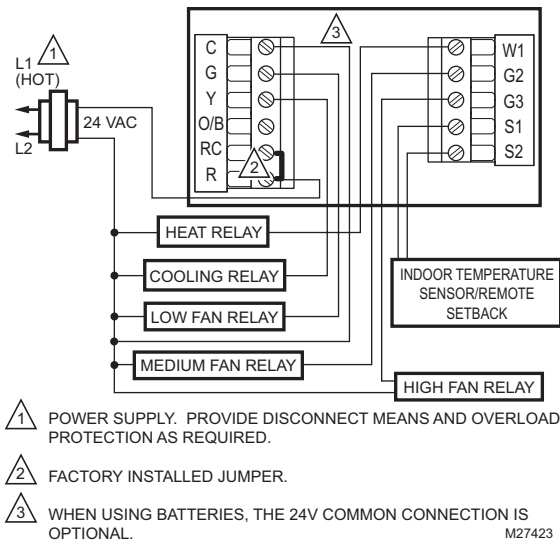


Fig. 18. Typical wiring of 4 pipe fan coil.

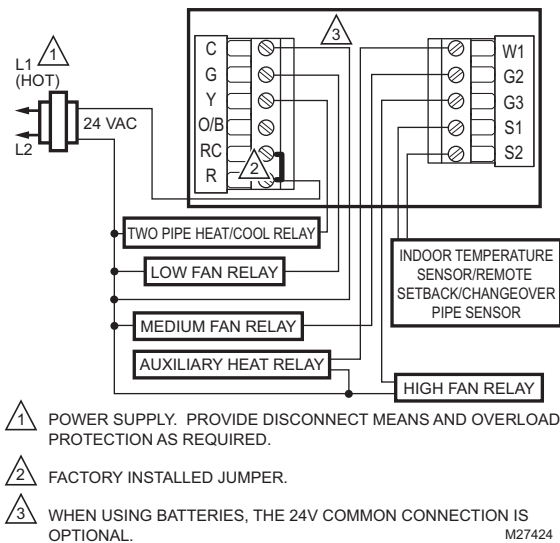


Fig. 19. Typical wiring of 2 pipe fan coil with reheat.

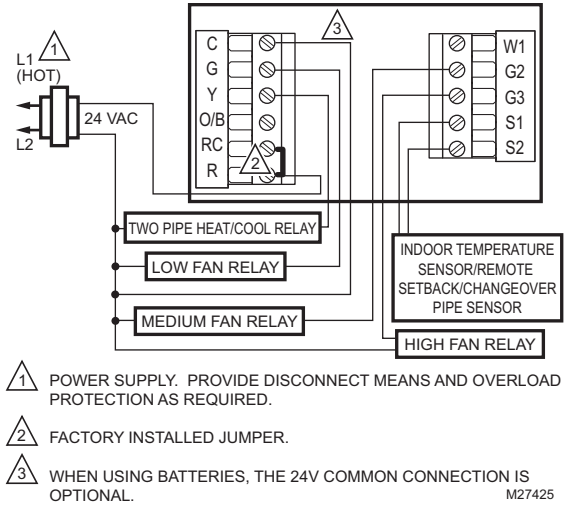


Fig. 20. Typical wiring of 2 pipe fan coil without reheat.

PTAC System Wiring

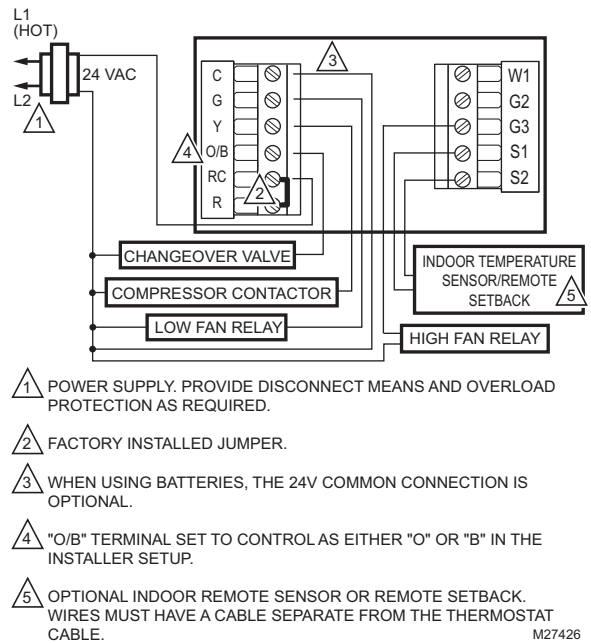


Fig. 21. Typical hookup of PTAC with HI and LO fan speeds (1H/1C).

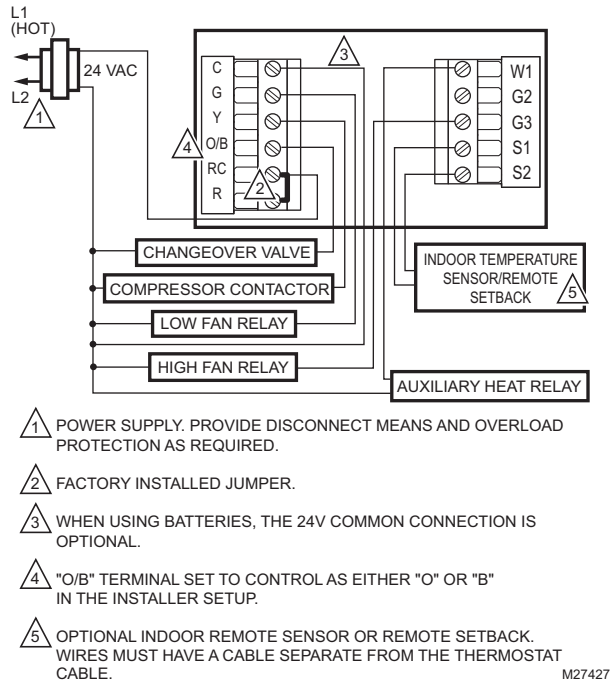


Fig. 22. Typical hookup of PTAC with HI and LO fan speeds (2H/1C).

POWER THE THERMOSTAT

- You can choose from three methods to power the thermostat:
- Batteries only (AAA alkaline).
 - 24 Vac direct connection only.
 - 24 Vac direct connection with battery backup (AAA alkaline).

Wiring 24 Vac Common

- Single-Transformer System—Connect the common side of the transformer to the C screw terminal of the thermostat wallplate. Leave the metal jumper wire in place between Rc and R.
- Two-Transformer System—Connect the common side of the cooling transformer to the C screw terminal of the thermostat wallplate. Remove the metal jumper wire between Rc and R.

Installing Batteries

1. Install two AA alkaline batteries on the back of the thermostat as marked. See Fig. 23.

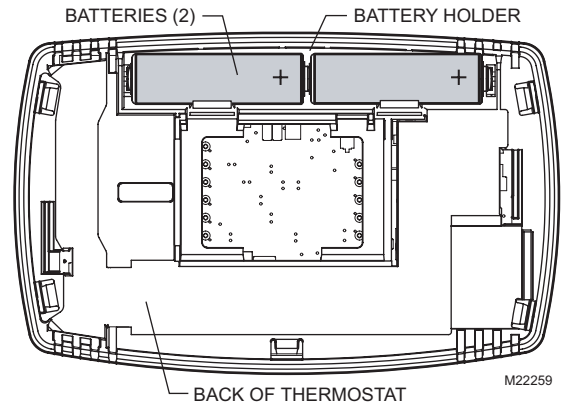


Fig. 23. Installing batteries.

2. Locate and remove tab labeled Remove. See Fig. 24.

IMPORTANT

This tab must be removed in order to set the real-time clock.

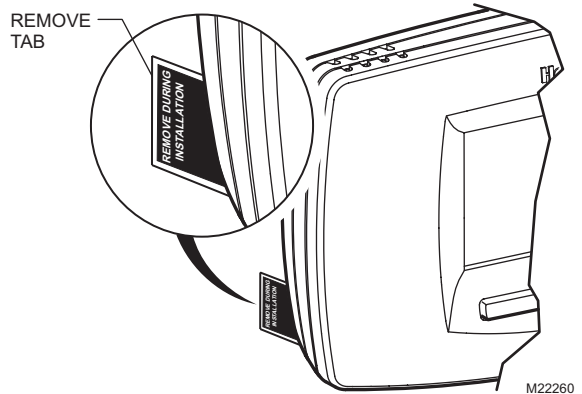


Fig. 24. Remove tab labeled REMOVE from thermostat back.

Locate and Mount TR21 or C7189U Remote Indoor Temperature Sensor (Optional)

Locate and mount the sensor in the same fashion as the thermostat. See the Select Thermostat Location section.

Consider the following as well:

1. Be sure wire distance between sensor and thermostat is less than 200 feet.
2. Mark the area on the wall selected for mounting the sensor or junction box.
3. Sensor wire must be separate from the thermostat cable.
4. Run wire cable to a hole at the selected wall location.
5. Pull approximately three inches of wire through the opening.

NOTE: Color-coded, 18-gauge wire is recommended.

Wire Indoor Sensor

CAUTION

Electrical Interference (Noise) Hazard.
Can cause erratic system operation.
 Keep wiring at least one foot away from large inductive loads such as motors, line starters, lighting ballasts and large power distribution panels.

1. Check Installer Setup Number (ISU) 340 to ensure it is set to the desired value. (See Table 6.)
2. Wire sensor to S1 and S2 thermostat terminals.
3. Push excess wire back into the hole. Plug the hole using nonhardening caulk, putty or insulation to prevent drafts from affecting performance.
4. Remove sensor cover.
5. Mount sensor to the wall or junction box using the screws and anchors provided.
6. Level the sensor for appearance only. Device functions correctly even when not level.
7. Install sensor cover.

Sensor Wiring for Temperature Averaging

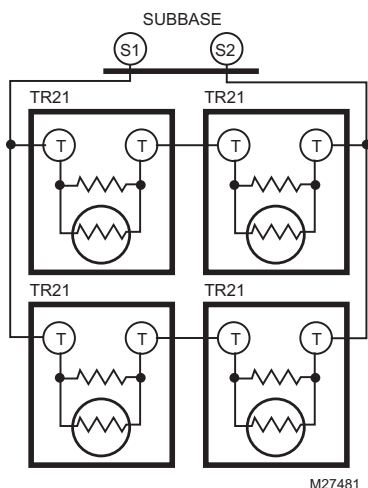


Fig. 25. Wiring four TR21 (20K ohm) Sensors.

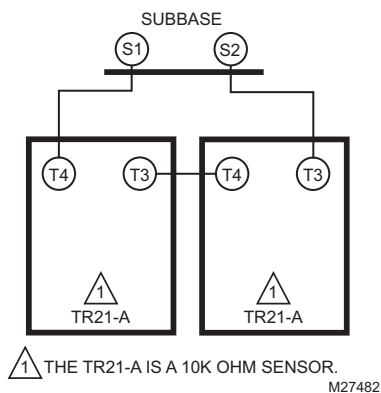


Fig. 26. Wiring two TR21-A (10K ohm) Sensors to provide a temperature averaging network.

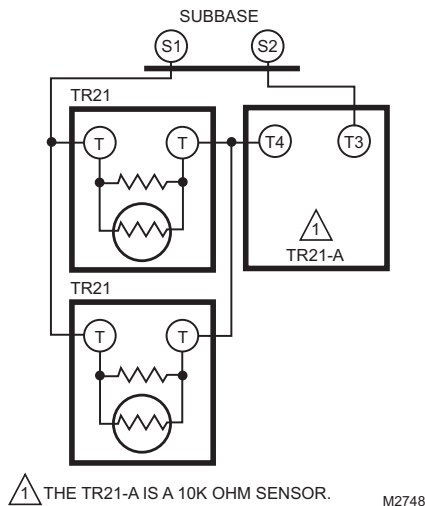


Fig. 27. Wiring two TR21 (20K ohm) Sensors and one TR21-A (10K ohm) sensor to provide a temperature averaging network

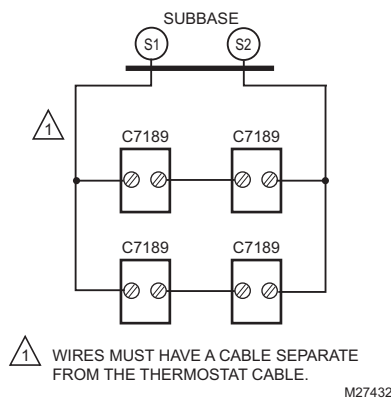


Fig. 28. Wiring four C7189U (10K ohm) Sensors to provide a temperature averaging network.

SET CALENDAR AND TIME

This thermostat is designed to, under normal use, automatically keep current time and day in memory for up to ten years once the calendar is set. There are two ways to set the calendar for this thermostat:

Setting Calendar Once Functioning

See steps 1 through 4, in the Advanced Settings section, to set year, month and day.

Setting Calendar When First Powered

When first powered, the thermostat proceeds through a sequence of screens to set the calendar.
 — When first powered, the thermostat proceeds through a sequence of screens to set the calendar. See Fig. 29.

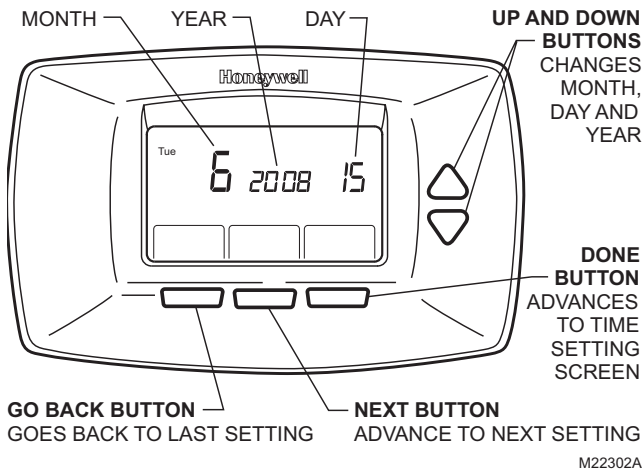


Fig. 29. Setting calendar when thermostat is first powered.

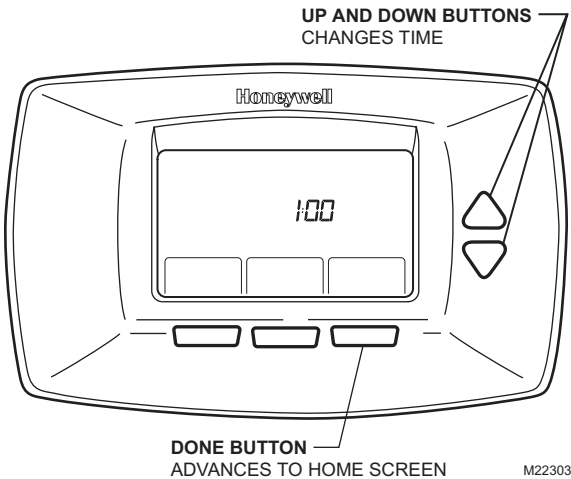


Fig. 30. Setting time when thermostat is first powered.

INSTALLER SETUP

Advanced Settings

The thermostat has advanced settings to match the HVAC system. These settings can be adjusted to match specific needs.

There are two different groups of settings:

- A complete set designed for the installation use.
- A simple set to limit accessibility for typical users.

Installer Settings (Complete Set)

Access to the installer settings is obtained as follows:

1. From the main screen, press SYSTEM.
2. Press and hold the two keys on either side of the center key for approximately five seconds. (See Fig. 31.)

3. The Setup Number displays to the center of the screen. It is a four-digit code beginning with zero. The current setting is displayed to the right.

NOTE: To cycle through the Setup Numbers, press the up or down arrow.

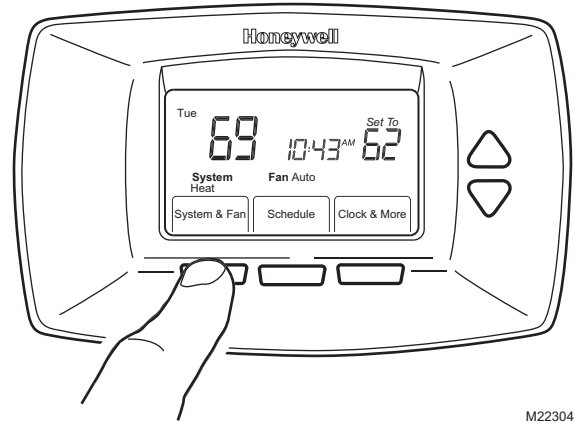


Fig. 31. Entering Installer Setup.

User Settings (Simple Set)

Access to the user settings is obtained as follows:

1. From the main screen, press SYSTEM.
2. Press and hold the center key approximately five seconds.
3. The Setup Number displays to the center of the screen. It is a four-digit code beginning with zero. The current setting is displayed to the right.

NOTE: To cycle through the Setup Numbers, press the up or down arrow.

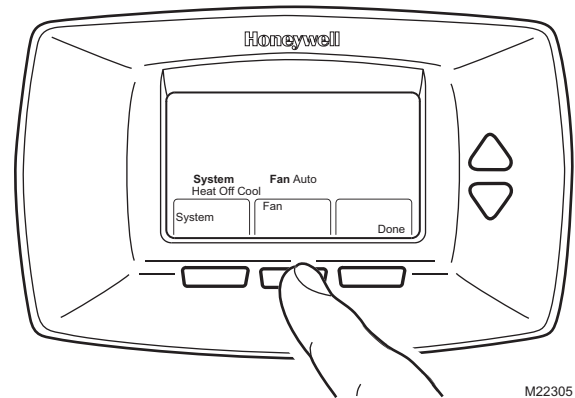


Fig. 32. Entering User Setup.

INSTALLER SETUP NUMBERS (ISU), SETTINGS, AND TESTS (TABLE 6)

Use the Installer System Test to test the heating, cooling and fan. Refer to the latter portion of Table 6.

IMPORTANT

Use Installer System Test to test heating, cooling and fan. The setting chosen for System Type (ISU 0170) can prevent some System Test Numbers from appearing.

CAUTION

Equipment Damage Hazard.
Minimum compressor off time is bypassed during Installer System Test
 Avoid cycling compressor quickly.

NOTE: Unless otherwise noted, setup items are accessible through only the Installer setup and not the User setup.

Table 6. Installer Setup Menu.

Installer Setup Number	Installer Setup Name	Default Setting	All Settings	Notes
0120	Date (Year Upper)	20	20—21	Available year range: 2001 - 2178
0130	Date (Year Lower)	08	00-99	Available year range: 2001 - 2178
0140	Date (Month)	6	1-12	
0150	Date (Day)	15	1-31 (Month Dependent)	
0160	Schedule Options	4	0—Non-Programmable 4—Programmable	
0170	System Selection	1—	1—1H/1C Conv 2—1H w/o fan 3—1H with fan 4—1C 5—1H/1C HP 6—2H/1C HP 7—4 pipe Fan Coil 8—2 pipe Fan Coil 9—2 pipe Fan Coil w/ Aux Heat 10—PTAC 1H/1C (Hi speed, Lo speed Fan) 11—PTAC 2H/1C (Hi speed, Lo speed Fan)	Relay Y is used for 2 pipe fan coil output relay.
0180	Heat Fan Operation	0	0—Fossil 1—Electric	Only shows up if conventional system with heat stages and fan capability is selected (ISU 0170). If heat pump is selected, fan defaults to electric. If fan coil or PTAC modes are selected, fan defaults to electric (does not show up).
0185	Pre-occupancy Purge Duration	0	0—no duration 1—one hour 2—two hours 3—three hours	Shown only if system has fan and schedule is programmable (ISU 0160). Pre-occupancy purge is enabled by a nonzero duration.
0190	Reversing Valve O/B	0	0—O (O/B On Cool) 1—B (O/B On Heat)	Only shown if heat pump or PTAC system is selected.
0220	Cycles Per Hour (CPH) for first stage cooling/compressor	3	1-6	Only shown if system has cool stages (ISU 0170). Shown for heat pump, fan coil, PTAC, and conventional cooling stages.
0240	CPH for first stage heat	5	1-12	Only shown if system is conventional with heat stages, 4 pipe fan coil, 2 pipe fan coil (ISU 0170).
0270	CPH for Em Heat	9	1-12	Only shown if HP with reheat, 2 pipe fan coil with reheat, and PTAC with reheat (ISU 0170).
0280	Continuous Backlight	0	0—No 1—Yes	Always shown; however, if AC power is not present, the option is overridden and normal backlight operation occurs.
0300	Changeover	0	0—Manual 1—Auto	Only shown if system has both heat and cool stages (ISU 0170). Shown for CNV, HP, PTAC and 4 pipe fan coil (ISU 0170). Not shown for 2 pipe fan coil modes.

Table 6. Installer Setup Menu. (Continued)

Installer Setup Number	Installer Setup Name	Default Setting	All Settings	Notes
0310	Deadband	3°F (2°C)	2 (1.5)—2°F (1.5°C) 3 (2.0)—3°F (2.0°C) 4 (2.5)—4°F (2.5°C) 5 (3.0)—5°F (3.0°C) 6 (3.5)—6°F (3.5°C) 7 (4.0)—7°F (4.0°C) 8 (4.5)—8°F (4.5°C) 9 (5.0)—9°F (5.0°C)	Only shown if Automatic Changeover selected (ISU 0300).
0320	Temperature Indication Scale	0	0—°F 1—°C	
0330	Daylight Saving	1	0—Disabled 1—Enabled (US)	
0340	Remote Temp Sensor/Remote Setback/Changeover Input	0	0—None 1—Remote 10K Indoor 2—Remote 20K Indoor 3—Changeover 2 pipe Fan Coil modes only 4—Changeover 2 pipe Fan Coil modes only	Only shown on models that offer remote sensing. NO input (default mode is Heat) NO input (default mode is Cool)
0340 (Non-programmable)	Remote Temp Sensor/Remote Setback/Changeover Input	0	0—None 1—Remote 10K Indoor 2—Remote 20K Indoor 3—Changeover 2 pipe Fan Coil modes only 4—Changeover 2 pipe Fan Coil modes only 5—Remote Setback 6—Remote Setback	Only shown on models that offer remote sensing. NO input (default mode is Heat) NO input (default mode is Cool) Hotel card NO, with 1 second software delay going from UnOcc to Occupied; 2 minute delay going from Occupied to UnOcc. Hotel Card NC, with 1 second software delay going from UnOcc to Occupied; 2 minute delay going from Occupied to UnOcc.
0342	Override Option (only available in non-programmable mode)	0	0—No Override 1—Override	This option is only available for non-programmable mode (ISU #160)
0343	Unoccupied Heating Setpoint (only when remote setback enabled)	60°F	50-65°F 10-18°C	
0346	Unoccupied Cooling Setpoint (only when remote setback is enabled)	80°F	75-90°F 24-30°C	
0347	Fan Ramping	1	0—Disabled (Lo, Med, Hi) 1—Enabled	To enable the fan ramping algorithm. Only available for fan coil or PTAC applications (ISU #170)
0348	Fan Mode	0	0—User can choose Cycle or Constant 3 speed: Low->Med->High->Auto-> Low 1—Cycle Only - Auto only	To select a particular fan mode: Auto is the fan ramp mode. If ramping is not selected, fan mode automatically defaults to Low Med High (Constant only) and ISU 0348 is unavailable. Only available for fan coil or PTAC applications (ISU #170)

Table 6. Installer Setup Menu. (Continued)

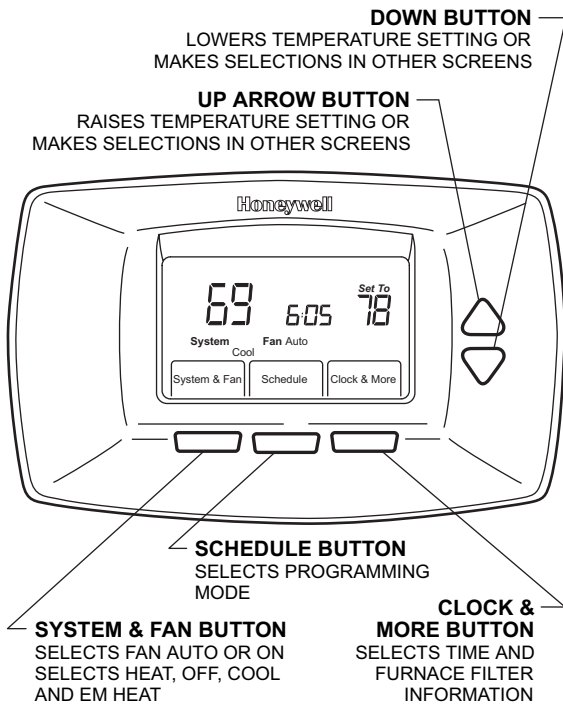
Installer Setup Number	Installer Setup Name	Default Setting	All Settings	Notes
0349	Auto Fan Reset		0—Inactive 1—Reset back to Auto after 2 hours 2—Reset back to Auto after 4 hours	The timer will be set after the user selects the constant fan speed. Fan will be set to Auto automatically when time out. The start time is calculated after initial call for heat/cool is satisfied, then 2 hour timing begins. The timer will be set after the user selects the constant fan speed. Fan will be set to Auto automatically when time out. The start time is calculated after initial call for heat/cool is satisfied, then 4 hour timing begins. Only available for fan coil or PTAC applications (ISU #170)
0535	Temporary Occupied Duration Limit	3	0–12 hours	0 means no limit.
0540	Number of Periods	4	2—2 Periods 4—4 Periods	Does not appear if Non-programmable is chosen (ISU 0160). Applies to all days of the week. If 2 is selected the Cancel Period option will not appear on the display.
0580	Minimum Compressor Off Time	5	0—Off 2—2 minutes 3—3 minutes 4—4 minutes 5—5 minutes	Only shown if system has cool stages in CNV, Heat Pump, PTAC (ISU 0170).
0600	Heat Temperature Range Stops	90	40 to 90°F (4 to 32°C)	Only shown if system has heat stages (ISU 0170).
0610	Cool Temperature Range Stops	50	50 to 99°F (10 to 37°C)	Only shown if system has cool stages (ISU 0170).
0640	Clock Format	12	12—12 Hour 24—24 Hour	
0650	Extended Fan-on time Heat	0	0—Off 90—90 seconds	Not displayed if fan set to fossil or cool only systems (ISU 0170)
0660	Extended Fan-on time Cool	0	0—Off 40—40 seconds	Only shown if system has cool stages. (ISU 0170)
0670	Keypad Lockout	0	0—Unlocked 1—Partial Lockout 1 2—Partial Lockout 2 3—Partial Lockout 3 4—Fully Locked	Unlocked: All functions accessible. Partial 1: Locks out schedule and system changes. Partial 2: Locks out schedule, system, and fan changes. Partial 3: Locks out schedule, system, fan, and up/down arrow changes. Full: Entire interface locked/non-functional.
0680	Temperature Control Heat	2	1—Less Aggressive 2—Standard 3—More Aggressive	Only shown if system has heat stages (ISU 0170). Only integral gains are affected by this setting. The setting affects control operation in all control regimes (not just recovery or setpoint change).
0685	Recovery Heat Ramp Rate	5	0–20°F/hour	Only shown if system has heat stages (ISU 0170). 0 disables the ramped recovery (step setpoint change at period start time).
0690	Temperature Control Cool	2	1—Less Aggressive 2—Standard 3—More Aggressive	Only shown if system has cool stages (ISU 0170). Only integral gains are affected by this setting. The setting affects control operation in all control regimes (not just recovery or setpoint change).
0695	Recovery Cool Ramp Rate	3	0–20°F/hour	Only shown if system has cool stages (ISU 0170). 0 disables the ramped recovery (step setpoint change at the period start time).

Table 6. Installer Setup Menu. (Continued)

Installer Setup Number	Installer Setup Name	Default Setting	All Settings	Notes
0700	Temperature Display Offset	0	-3 (-1.5)—-3°F (-1.5°C) -2 (-1.0)—-2°F (-1.0°C) -1 (-0.5)—-1°F (-0.5°C) 0 (0.0)—0°F (0.0°C) 1 (0.5)—1°F (0.5°C) 2 (1.0)—2°F (1.0°C) 3 (1.5)—3°F (1.5°C)	This offset applies to both the control temperature and to the display temperature for indoor sensor (and remote indoor sensor).
0710	Restore Factory Defaults	0	0—No 1—Yes	Resets all ISU parameters to default values and resets the schedule to default Energy Star. Retains only calendar settings and time.
0720	Screen Display	2	0—Display Room Temperature 1—Display Setpoint 2—Display Both	
INSTALLER TESTS				
Test 1	Installer Test Cool	0	0—Off 1—Cool Stage 1	Only shown if system has cool stages.
Test 2	Installer Test Fan	0	0—Off 1—Fan Stage 1 2—Fan Stage 2 3—Fan Stage 3	Only shown if system has fan.
Test 3	Installer Test Heat	0	0—Off 1—Heat Stage 1	Only shown if system has fan.
Test 4	Installer Test EM Heat	0	0—EM Heat Off 1—EM Heat On	Only shown if multi-stage HP is selected (heat pump with more heating than cooling stages).

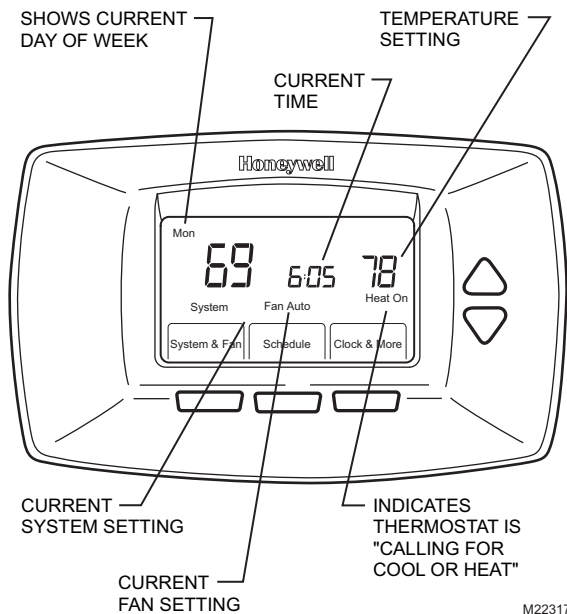
NOTE: Press the Done button to exit the Installer System Test.

MAIN SCREEN



M22316

Fig. 33. Main screen selections.



M22317

Fig. 34. Main screen display.

PROGRAMMING

Table 7 shows default program settings.

Table 7. Energy Star Default Program Settings.

Schedule Period	Time	Setpoints	
		Heat	Cool
Occ1	8:00am	70°F (21°C)	75°F (24°C)
Unocc1	10:00pm	55°F (10°C)	85°F (29.5°C)
Occ2	—	—	—
Unocc2	—	—	—

Fan Settings

Auto: Fan runs only when heating/cooling system is on.

See the Fan Schedule section for more information.

On: Fan runs continuously.

System Settings

Heat: Thermostat controls the heating system.

Off: Both heating and cooling systems are off. Fan is turned off.

Cool: Thermostat controls the cooling system.

Auto: Thermostat automatically changes between heat and cool operation, depending on indoor temperature.

Programming Heating and Cooling Schedule

The thermostat can control up to four different schedule periods per day:

OCC 1: Work arrival time. Period to keep space at a comfortable temperature.

UNOCC1: Work exit time. Period to keep space at an energy-saving temperature.

OCC 2: Second occupied period.

UNOCC2: Second unoccupied period.

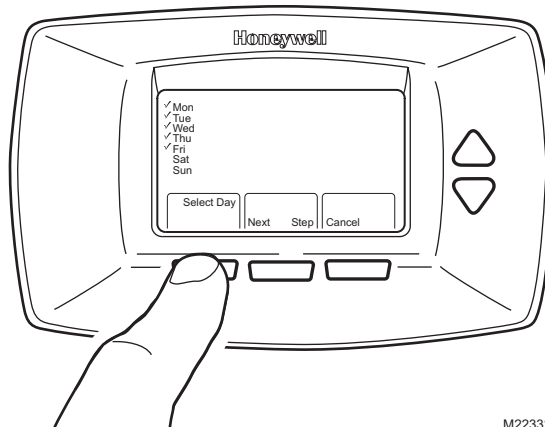
NOTE: Available schedule times are at 15-minute intervals.

Editing Schedule

1. Press MORE
2. Press SCHEDULE.
3. Press EDIT.
4. Press SELECT DAY to select the days you wish to schedule.
5. Press NEXT when finished selecting days

NOTES:

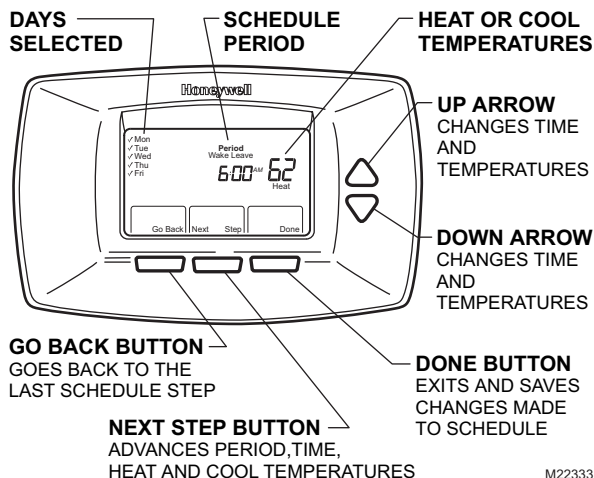
- Multiple days can be selected.
- To skip over a day, press the Up or Down arrow keys.
- Checkmarks appear next to selected days. These are scheduled with identical times and temperatures.



M22332

Fig. 35. Initial schedule edit screen.

6. OCCUPIED 1 flashes, denoting the period that is about to be edited.
7. Press NEXT, and the start time for that period flashes.
8. Change the start time by pressing the Up and Down arrow keys.
9. Press NEXT to edit the heating and cooling setpoints.
10. Continue to cycle through the remaining periods and make changes by pressing the NEXT key.



M22333

Fig. 36. Screen to edit existing settings.

11. When complete, press DONE. SAVING CHANGES appears on the screen to indicate changes are being saved to the day(s) modified.
12. To exit schedule without saving changes, press CANCEL any time.

Setting Time

1. Press CLOCK.
2. Use arrows to set current time.
3. Press DONE.

IMPORTANT

The current day of the week should already be set correctly. If not, see the Advanced Settings section to set the day.

OPERATION

Fan Sequence Operations (ISU 347, 348, 349)

If heat pump or conventional application modes are enabled in ISU 170, then ISU 347 is not available for fan ramp algorithm. The fan operates as a default ON/AUTO selection that works the same way as our CommercialPRO TB7220 thermostat. There is only one fan relay output that is activated.

If PTAC or fan coil thermostat application modes are enabled in ISU 170, then ISU 347 fan ramp algorithm is available for installer setup selection. The fan ramp algorithm will automatically calculate the appropriate fan speed that is needed to meet the proportional band requirements to speed up setpoint satisfaction. When the setpoint is satisfied it will revert to the lowest fan speed setting to conserve energy.

The thermostat comes factory default with the fan ramping algorithm enabled (ISU 347). This gives the user the ability to select Auto-Lo-Med-Hi option in ISU 348 or Auto only option in ISU 348. Auto sets the thermostat into the fan ramping algorithm mode and automatically sets the sufficient speed for PI control. Auto also automatically shuts the fan off when there is not a call for heating or cooling. If the user decides to disable ISU 347, then the fan will only have Lo-Med-Hi option available.

If ISU 347 is not enabled, then ISU 348 does not appear as a user selection choice.

If ISU 347 is enabled, then ISU 349 is available as a selection choice. The user can select either a 2 hour or 4 hour timer fan reset function. The fan will reset from a constant on speed to Auto mode after the time period expires. If ISU 347 is not enabled, then ISU 349 does not appear as a user selection choice.

Equipment Sequence Operations (ISU 170)

Heat Pump and Conventional

Heat Pump and conventional use a single fan speed. The single fan speed label is the G terminal relay output. Display on the thermostat for these modes will give the Fan On/Auto option. There is no fan ramping algorithm, ISU 347, 348, 349 are not available.

PTAC

PTAC modes 10 and 11 will have the same selection options available as the heat pump selection options. The only difference is that the PTAC options have a Lo and Hi speed fan output instead of single speed output and that it follows the fan sequencing described above with ISU 347, 348, 349.

4 Pipe

4 pipe is treated similar to 1H/1C conventional. It follows the fan sequencing described above with ISU 347, 348, 349.

2 Pipe

There are two different 2 pipe modes - **2 pipe only** and **2 pipe with reheat**.

2 pipe only - 2 pipe modes do not contain the ability to have automatic changeover. They are manual changeover only. The thermostat will have a priority when choosing a system mode (heat or cool). When ISU #340 has a 2 pipe changeover

sensor enabled, the thermostat screen system mode will lock on heat or cool (whatever the changeover sensor is communicating to the thermostat). If ISU #340 does not have a changeover sensor enabled, then the system mode from the thermostat screen can manually be adjusted between heat or cool. It follows the fan sequencing described above with ISU 347, 348, 349.

2 pipe with reheat - 2 pipe modes do not contain the ability to have automatic changeover. They are manual changeover only. The thermostat will have a priority when choosing a system mode (heat or cool). When ISU #340 has a 2 pipe changeover sensor enabled, the thermostat screen system mode will lock on heat only. When the 2 pipe changeover sensor is sensing cool mode, the user can adjust to heating mode which will bring on the auxiliary heat. If ISU #340 does not have a changeover sensor enabled, then the system mode from the thermostat screen can manually be adjusted between heat or cool. It follows the fan sequencing described above with ISU 347, 348, 349.

Operating Sequence

The thermostat energizes specific terminal(s), depending on the demand for heating, cooling or fan. The thermostat screen shows the time, inside temperature, system and fan selections. Additional indicators are shown when the heating, cooling or fan is energized. See Tables 8 and 9 for specification information.

Table 8. Sequence of Operation for Conventional Systems.

System Setting	Fan Setting	Call for Action	Energize Terminals	Screen Message
Off	Auto	—	—	—
Cool	Auto	—	—	—
Cool or Auto	Auto	Stage 1 Cooling	Y, G	Cool On
Heat	Auto	—	—	—
Heat or Auto	Auto	Stage 1 Heating	W, G ^b	Heat On

^a If Installer Setup System type is set to two stages of cooling.

^b G energizes only if Installer Setup 0180 is set to Electric.

Table 9. Sequence of Operation for Heat Pump Systems.

System Setting	Fan Setting	Call for Action	Energize Terminals	Screen Message
Off	Auto	—	O/B ^a	—
Cool	Auto	—	O/B ^a	—
Cool or Auto	Auto	Stage 1 Cooling	Y, G, O/B ^a	Cool On
Heat	Auto	—	O/B ^a	—
Heat or Auto	Auto	Stage 1 Heating	Y, G, O/B ^a	Heat On
		Stages 1 and 2 Heating	Y, W1 ^b , G, O/B ^a	Auxiliary Heat On

^a Configure O/B in Installer Setup. Based on last piece of equipment called (cooling = O; heating = B).

^b If Installer Setup System Type is set to 2Heat/1Cool Heat Pump with Auxiliary Heat.

Table 10. Sequence of Operations for Fan Coil Systems.

System Setting	Fan Setting	Call for Action	Energize Terminals	Screen Message
Off/Cool/Heat/Em Heat/Auto	Auto	--		--
Cool or Auto	Auto	4 Pipe Cooling	Y, G ^b , G2 ^b , G3 ^b	Cool On
Cool or Auto	LO	4 Pipe Cooling	Y, G	Cool On
Cool or Auto	MED	4 Pipe Cooling	Y, G2	Cool On
Cool or Auto	HIGH	4 Pipe Cooling	Y, G3	Cool On
Heat or Auto	Auto	4 Pipe Heating	W1 ^c , G ^b , G2 ^b , G3 ^b	Heat On
Heat or Auto	LO	4 Pipe Heating	W1 ^c , G	Heat On
Heat or Auto	MED	4 Pipe Heating	W1 ^c , G2	Heat On
Heat or Auto	HIGH	4 Pipe Heating	W1 ^c , G3	Heat On
Cool or Heat	Auto	2 Pipe Cooling/Heating ^a	Y ^a , G ^b , G2 ^b , G3 ^b	Cool On or Heat On
Cool or Heat	LO	2 Pipe Cooling/Heating ^a	Y ^a , G	Cool On or Heat On
Cool or Heat	MED	2 Pipe Cooling/Heating ^a	Y ^a , G2	Cool On or Heat On
Cool or Heat	HIGH	2 Pipe Cooling/Heating ^a	Y ^a , G3	Cool On or Heat On
Em Heat	Auto	2 Pipe Call for Auxiliary Heat	Y ^a , W1 ^c , G ^b , G2 ^b , G3 ^b	Heat On
Em Heat	LO	2 Pipe Call for Auxiliary Heat	Y ^a , W1 ^c , G	Heat On
Em Heat	MED	2 Pipe Call for Auxiliary Heat	Y ^a , W1 ^c , G2	Heat On
Em Heat	HIGH	2 Pipe Call for Auxiliary Heat	Y ^a , W1 ^c , G3	Heat On

^a If Installer Setup (0170) System Type is set to 2 pipe Fan Coil (8) or 2 pipe Fan Coil w/Aux Heat (9), the Y terminal will be used for cooling and heating. If Installer Setup (0170) System Type is set to 4 pipe Fan Coil (7), the Y terminal will be used for cooling only.

^b When fan is in AUTO, it automatically selects the fan speed based on how far away the temperature is from the setpoint.

^c If Installer Setup (0170) System Type is set to 2 pipe Fan Coil with Auxiliary Heat (9), the W1 terminal will be used for reheat. If Installer Setup (0170) System Type is set to 4 pipe Fan Coil (7), the W1 terminal will be used for heating.

Table 11. Sequence of Operations for PTAC Systems.

System Setting	Fan Setting	Call for Action	Energize Terminals	Screen Message
Off/Cool/Heat/Em Heat/Auto	Auto	--	O/B ^b	--
Cool or Auto	Auto	Stage 1 Cooling	Y, G ^a , G3 ^a , O/B ^b	Cool On
Cool or Auto	LO	Stage1 Cooling	Y, G, O/B ^b	Cool On
Cool or Auto	HIGH	Stage 1 Cooling	Y, G3, O/B ^b	Cool On
Heat or Auto	Auto	Stage 1 Heating	Y, G ^a , G3 ^a , O/B ^b	Heat On
Heat or Auto	LO	Stage 1 Heating	Y, G, O/B ^b	Heat On
Heat or Auto	HIGH	Stage 1 Heating	Y, G3, O/B ^b	Heat On
Em Heat	Auto	Stage 1 and 2 Heating	Y, W1 ^c , G ^a , G3 ^a , O/B ^b	Heat On
Em Heat	LO	Stage 1 and 2 Heating	Y, W1 ^c , G, O/B ^b	Heat On
Em Heat	HIGH	Stage 1 and 2 Heating	Y, W1 ^c , G3, O/B ^b	Heat On

^a When the fan is in AUTO, it automatically selects the fan speed based on how far away the temperature is from the setpoint.

^b Configure O/B in Installer Setup. Based on last piece of equipment called (cooling=O; heating=B).

^c If Installer Setup (1070) System Type is set to 2Heat/1 Cool PTAC.

Special Programmable Mode Functions

Installer Setup 160 allows the thermostat to be configured for either a mode with a programmable 7 day schedule or as a non-programmable thermostat.

Preoccupancy purge (ISU 185)

This feature is available only when the thermostat is configured as a programmable schedule and when a fan is used. The fan will run 1-3 hours before the occupied schedule starting time to circulate air.

Override Button, Temporary Override (Duration Limit ISU 535)

While in the programmable schedule mode, an override button is available to perform temporary override control. The default override time can be configured through ISU 535. Lockout configuration via ISU 670 can provide restrictions on access to setpoint changes, system changes, and schedule changes.

No remote setback

The remote setback feature only works in the non-programmable mode.

Special Non-Programmable Mode Functions

Override (Optional)

The override feature is optional in the non-programmable mode. The override can be configured through ISU 342. When the override is activated in the non-programmable mode it will temporarily override to a new setpoint until the end time expires.

Remote Setback

Remote Setback is available (ISU 340). Occupancy sensors, manual time clock inputs, and DDC night setback can be used to provide inputs to setback the thermostat. Unoccupied heating (ISU 343) and unoccupied cooling (ISU 346) setpoints are available to configure the setback setpoints.

Setting Temperature Overrides

There are three temperature override options:

- Hold Temperature Until
- Override, and
- Holiday.

HOLD TEMPERATURE UNTIL

Holds the temperature temporarily until the time set by the user, or the next scheduled period time.

1. Press the Up or Down arrow next to the temperature to adjust. The Hold Until time appears on the screen. The time defaults to the next scheduled period start time
2. Press NEXT to adjust the time for the thermostat to resume schedule.

NOTE: The installer setup can limit the length of time for an override to 1, 2, 3, or 4 hours beyond the current time.

3. Press DONE or wait 5 seconds.
4. Press CANCEL or SCHEDULE to cancel “Hold Temperature Until” and resume the schedule.

OVERRIDE

Changes temperature setting until the next period takes effect. For use during Unoccupied periods.

1. Press OVERRIDE. The settings change by default to the next Occupied period.

NOTE: Changes are limited to those allowed by the lockout level.

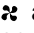
2. Press Up or Down arrow to change the override temperature, and NEXT to adjust override time.


HOLIDAY

Changes temperature setting for a designated number of days. Press MORE and then HOLIDAY. The screen shows “Hold Until 1 DAYS”.

1. Press Up or Down arrow to change the temperature desired for the thermostat to override the schedule.
2. Press NEXT to change the desired days for the duration of the holiday.
3. To cancel the Holiday Override early, press CANCEL.

Fan Status Displayed on Main Screen

When the thermostat is running the fan, the fan blade symbol  appears next to FAN to indicate the thermostat has the fan on.

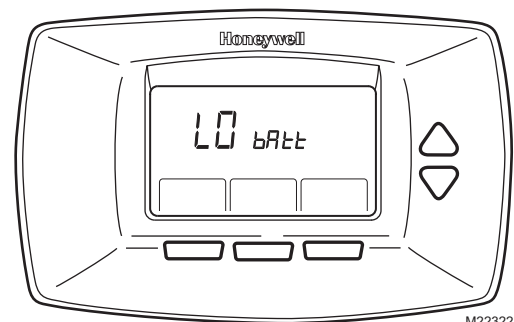
NOTE: If the thermostat is not controlling the fan—typical for many gas, forced-air heating systems—the fan blade symbol  will not appear even though the fan may be running.

Replacing Batteries

Not all thermostat models require batteries. If the thermostat has batteries, a low battery warning (see Fig. 38) flashes on the main screen for approximately 30 days.

NOTE:

- If batteries are not replaced when the Low Battery warning is flashing, the LO batt screen displays continuously and the thermostat stops operating until batteries are replaced.
- The thermostat has a low battery indicator. However, it is recommended that the batteries be replaced once each year. Do this to prevent leakage and prevent the thermostat and HVAC system from shutting down due to lack of thermostat battery power.



M22322

Fig. 37. Low battery signal.

Replace the batteries as follows:

1. Remove the thermostat from the base by pulling it straight out. (See Fig. 39.)
2. Install two new AA alkaline batteries with proper polarization.

NOTES:

- Always use AA alkaline batteries.
 - All programming (Schedule, Date and Time) information is retained during battery replacement.
3. Place thermostat back on subbase by aligning terminal screw blocks with the pins on the back of the thermostat. (See Fig. 40.)
 4. Push the thermostat straight onto the base.

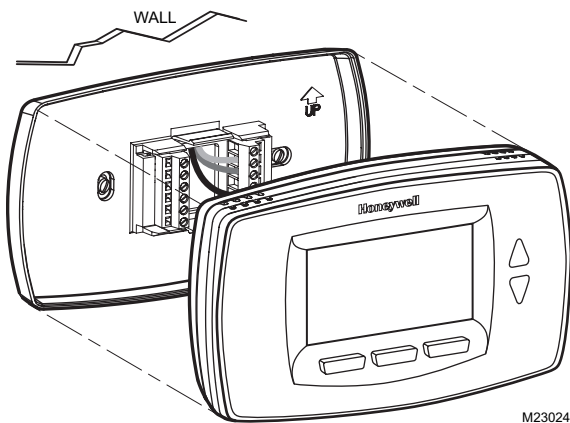


Fig. 38. Removing thermostat from subbase.

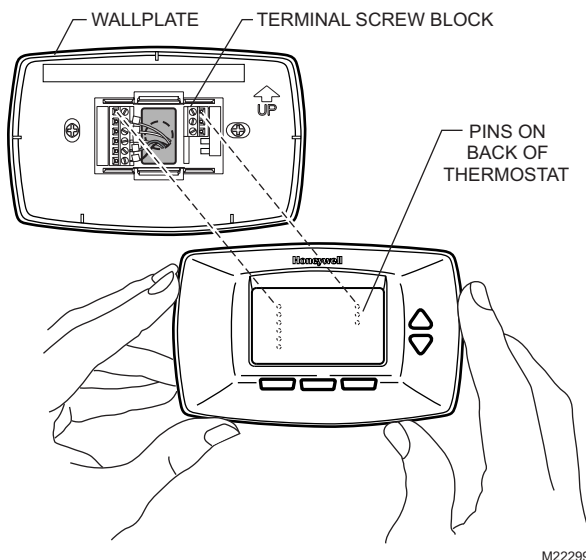


Fig. 39. Placing thermostat back onto subbase.

Reading Remote Indoor Temperature

If connected to an installed remote indoor temperature sensor, the thermostat displays the indoor temperature from the remote sensor(s).

NOTE: If connected to an installed remote indoor temperature sensor, the thermostat internal sensor is not used.

ONE REMOTE INDOOR SENSOR INSTALLED

If one remote indoor temperature sensor is used, the screen showing the *Inside* temperature reading displays the temperature at the indoor remote sensor location.

MULTIPLE REMOTE INDOOR SENSORS INSTALLED

If more than one remote indoor sensor is used, the screen showing the *Inside* temperature reading displays the average of all the remote indoor sensors.

Screen Locked

Portions of the touch screen interface can be fully or partially locked. See the Advanced Settings section for information to use these features. When the thermostat displays LOCKED, the buttons are either fully or partially locked.

Fully Locked Screen

In this mode, the entire interface is locked and not functional. To unlock screen, see the Advanced Settings section. The screen continuously displays SCREEN LOCKED.

Partially Locked Screen

When partially locked:

- Pressing a locked key prompts the screen to indicate LOCKED for five to seven seconds.
- Pressing an unlocked key with LOCKED shown removes LOCKED from the display.
- HOLIDAY and OVERRIDE options are available in all partial lockout levels.
- Pressing HOLIDAY sets the temperature to the Unoccupied setting for the selected period of time. The next Occupied period switches back to the program settings.
- Pressing OVERRIDE sets the temperature to the Occupied setting for the selected period of time. The next Unoccupied period switches back to the program settings.
- To cancel the temperature override and follow the programmed schedule, press CANCEL.

PARTIAL LOCKOUT 1

This mode locks out schedule and system changes.

- User can change the temperature setpoint and fan settings, but cannot change schedule or system settings.
- The temporary changes last until next scheduled period. The screen displays that time.
- To unlock the screen, see Advanced Settings section.

PARTIAL LOCKOUT 2

This mode locks out schedule, system and fan changes.

- User can change the temperature setpoint, but cannot change schedule, system, or fan settings.
- The temporary temperature change lasts until next scheduled period. The screen displays that time.
- To unlock the screen, see Advanced Settings section.

PARTIAL LOCKOUT 3

This mode locks out schedule, system, fan, and temperature setpoint settings.

- Users cannot make changes to the temperature setpoint or any schedule, system, or fan settings.
- The only features available are HOLIDAY and OVERRIDE.
- To unlock the screen, see Advanced Settings section.

Temperature Recovery

The thermostat is equipped with a feature to eliminate guesswork when setting a schedule. That is, the user need not know the amount of time for the HVAC system to bring the space to temperature (without overshoot) prior to the scheduled time. The thermostat manages that automatically.

Simply set the program schedule to the desired time to have the space at comfort temperature. In addition, program the temperature to this comfort temperature. The thermostat activates the heating or cooling at the proper time to reach the scheduled temperature at the scheduled time.

NOTE: The setpoint changes gradually to use economical stages and avoid overshoot.

For example—the space will be occupied at 8:00 AM and the desired temperature is 70°F. Set the OCC 1 period for 8:00 AM and 70°F. The thermostat turns on the heat prior to 8:00 AM to raise the temperature to 70°F by 8:00 AM.

The thermostat provides an alert that the heating or cooling system is coming on before a scheduled time by displaying “Recovery” on the screen.

Minimum-Off Timer Compressor Protection

The thermostat has an adjustable Minimum-Off Timer that can be set from zero to five minutes (Factory Setting—five minutes). The Minimum-Off Timer can be bypassed through the Installer System Test or it can be bypassed permanently by setting the Minimum-Off Timer to 0 minutes in the Installer Setup. The Minimum-Off Timer is activated after the compressor turns off:

- If the thermostat is system powered (common wire), the Minimum-Off Timer is also activated upon initial startup and after power interruptions.
- If there is a call for cooling or heating during the Minimum-Off Time, the thermostat displays “Wait.”
- When the Minimum Off Timer expires, “Cool On” or “Heat On” (heat pumps only) appears solidly in the display and the compressor and fan turn on.

Temperature Sensor Operation and Checkout

Allow outdoor or indoor temperature sensor to absorb the air for a minimum of five minutes before taking a reading. See the Sensor instructions for more information.

NOTE: The C7189U, TR21 and TR21-A Temperature Sensors are calibrated at the factory and cannot be recalibrated in the field.

C7189U Remote Indoor Temperature Sensor

Operation

When installed with Thermostat ISU 0340 set to 3, the remote inside temperature is displayed on the Thermostat Home Screen as Inside Temperature. The thermostat internal temperature sensor is not used.

The C7189U can be used to provide one remote sensor input or as a temperature averaging network with multiple TR21 Sensors connected, as shown in Fig. 28.

Checkout

For best results, allow C7189U Wall Mount Temperature Sensor to absorb the air moving through the room for a minimum of twenty minutes before taking a resistance measurement.

With an accurate thermometer ($\pm 1^\circ\text{F}$ [0.5°C]) measure the temperature at the sensor location, allowing time for the thermometer to stabilize before reading.

To verify sensor resistance, remove one wire from one of C7189U wiring terminals. Use an ohmmeter to measure the resistance across the sensor. Then compare sensor accuracy with the temperature/resistance curve in Fig. 40.

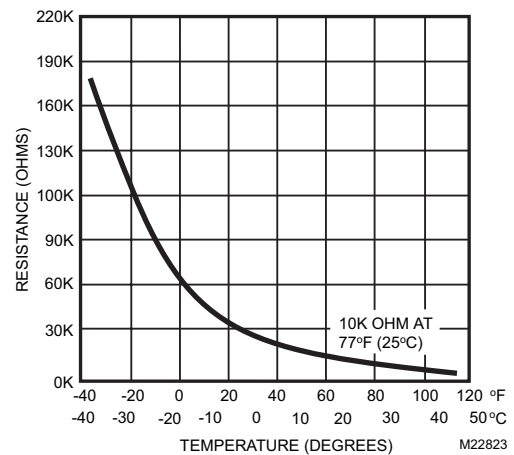


Fig. 40. 10K ohm sensor resistance versus temperature.

TR21 Remote Temperature Sensor

Operation

When installed with Thermostat ISU 0340 set to 3 or 4, the remote inside temperature is displayed on the Thermostat Home Screen as Inside Temperature. The thermostat internal temperature sensor is not used.

The TR21 can be used to provide one remote sensor input or as a temperature averaging network with multiple TR21 Sensors connected, as shown in Fig. 25 through 27.

Checkout

For best results, allow TR21 Wall Mount Temperature Sensor to absorb the air moving through the room for a minimum of twenty minutes before taking a resistance measurement.

With an accurate thermometer ($\pm 1^\circ\text{F}$ [0.5°C]) measure the temperature at the sensor location, allowing time for the thermometer to stabilize before reading.

To verify sensor resistance, remove one wire from one of the wiring terminals. Use an ohmmeter to measure the resistance across the sensor. Then verify the sensor accuracy with the temperature/resistance in Fig. 41.

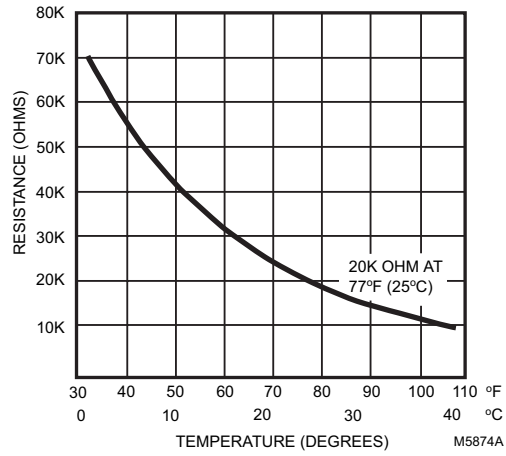


Fig. 41. 20K ohm sensor resistance versus temperature.

TROUBLESHOOTING (TABLE 12)

Table 12. Troubleshooting.

Symptom	Possible Cause	Action
Display does not come on.	Thermostat is not being powered.	Check for 24 Vac between C and Rc. Check that AAA batteries are installed correctly and are good.
Temperature settings do not change.	The upper or lower temperature limits were reached.	Check temperature setpoints. Check ISU 0600 and 0610; modify as needed.
	The keypad is fully locked.	Check ISU 0670 to change keypad locked options.
Heating or cooling does not come on.	Thermostat minimum off-time is activated.	Wait up to five minutes for the system to respond.
	System selection is not set to Heat or Cool.	Set system Selection to correct position.
	System type Selection is incorrect.	Check ISU 0170 and make sure correct System type is chosen.
Thermostat is calling for Heat (Heat on) or Cool (Cool on) but no heating or cooling is running.	Heating or cooling equipment is not operating.	Check wiring. Check ISU 0170 and make sure correct system type is chosen. Verify operation of equipment in System Test mode.
Heat does not turn on (Heat On is solid in the display).	Heating equipment failure.	Check for 24 Vac at the equipment on the secondary side of the transformer between power and common. If voltage is not present, check the heating equipment to find the cause of the problem. Check for 24 Vac between the heat terminal (W) and transformer common. If 24 Vac is present, the thermostat is functional. Check the heating equipment to find the cause of the problem.
	Loose or broken wire connection between thermostat and heating equipment.	Check for 24 Vac between the heat terminal (W) and transformer common. If voltage is not present, check wire connection (loose or broken) between the thermostat and the heating equipment.
Cooling does not turn on (Cool On is solid in the display).	Cooling equipment failure.	Check for 24 Vac at the equipment on the secondary side of the transformer between power and common. If voltage is not present, check the cooling equipment to find the cause of the problem. Check for 24 Vac between the cool terminal (Y) and transformer common. If 24 Vac is present, the thermostat is functional. Check the cooling equipment to find the cause of the problem.
	Loose or broken wire connection between thermostat and cooling equipment.	Check for 24 Vac between the cool terminal (Y) and transformer common. If voltage is not present, check the wire connection (loose or broken) between the thermostat and the cooling equipment.
Fan does not turn on in a call for heat (electric furnace).	Fan Control in Heating is set to System Controls Fan (Setting 0180).	Set Fan Control in Heating to Thermostat Controls Fan (Setting 0180).
Heat pump puts out cool air in the heat mode and warm air in the cool mode.	Changeover Valve (ISU 0190) is not configured to match the changeover required by the installed heat pump.	Set Changeover Valve (ISU 0190) to match the changeover required by the installed heat pump.
Both the heating and cooling equipment are running at the same time.	The heating equipment is not a heat pump but the System Type (ISU 0170) is set to Heat Pump.	Set System Type (ISU 0170) to match the installed heating and/or cooling equipment.
	Heating and cooling wires are shorted together.	Separate the shorted heating and cooling wires.

Table 12. Troubleshooting. (Continued)

Symptom	Possible Cause	Action
Heating equipment is running in the cool mode.	Heating equipment is not a heat pump but System Type (ISU 0170) is set to Heat Pump.	Set System Type (ISU 0170) to match the installed heating and/or cooling equipment.
Heating equipment does not turn off and heat temperature setting is set below room temperature (Heat On is not in the display).	Heating equipment is not a heat pump but System Type (ISU 0170) is set to Heat Pump.	Set System Type (ISU 0170) to match the installed heating and/or cooling equipment.
Cannot set the system setting to Heat.	System Type (ISU 0170) is set to Cool Only.	Set System Type (ISU 0170) to match the installed heating and/or cooling equipment.
Cannot set the system setting to Cool.	System Type (ISU 0170) is set to Heat Only or Heat Only with Fan.	Set System Type (ISU 0170) to match the installed heating and/or cooling equipment.
Heat On is not in the display.	System setting is not set to Heat and/or temperature setting is not set above room temperature.	Set the system setting to Heat and set the temperature setting above the room temperature.
Cool On is not in the display.	System setting is not set to Cool and/or the temperature setting is not set below room temperature.	Set the system setting to Cool and set the temperature setting below the room temperature.
Wait is in the display.	Compressor minimum off timer is active.	Wait up to five minutes for the cooling or heating (heat pump) equipment to turn on.
"Screen Locked" appears on the screen and all or some of the keys do not respond.	The keypad is fully or partially locked.	Check ISU 0670 to change keypad locked options.

Perchlorate Material

This thermostat contains a Lithium battery which may contain Perchlorate material.

The following statement is required:
 Perchlorate Material—special handling may apply.
 See www.dtsc.ca.gov/hazardouswaste/perchlorate

By using this Honeywell literature, you agree that Honeywell will have no liability for any damages arising out of your use or modification to, the literature. You will defend and indemnify Honeywell, its affiliates and subsidiaries, from and against any liability, cost, or damages, including attorneys' fees, arising out of, or resulting from, any modification to the literature by you.

Automation and Control Solutions

Honeywell International Inc.
 1985 Douglas Drive North
 Golden Valley, MN 55422
customer.honeywell.com

Honeywell Limited-Honeywell Limitée
 35 Dynamic Drive
 Toronto, Ontario M1V 4Z9

