

Motorized Zone Valves

V8043 Low Voltage Normally Closed Zone Valves



Flare Connection



NPT Connection



Sweat Connection



Sweat Connection with terminal block

Two-way on-off low voltage valves consist of an actuator and valve assembly for controlling the flow of hot water.

- Manual opener (on all models, except straight-through, normally open valves) for valve operation on power failure; valve returns to automatic position when power is restored.
- All models may be installed without disassembling the valve.
- Compact construction for easy installation.
- Complete powerhead may be removed or replaced without breaking plumbing line connections or draining the system.
- Actuator motor may be replaced without removing the valve body or draining the system.

Application: Hydronic Control

Type: Two position

Body Pattern: Two-way, Straight-through

Valve Action: Spring return to close

Voltage: 24 Vac

Frequency: 50 Hz; 60 Hz

Power Consumption: 7.7 VA

De-energized Position: Normally Closed

Fluid Temperature Range: 50 F to 200 F (10 C to 93 C)

Maximum Ambient Temperature: 125 F (52 C)

Comments: Use this valve in closed loop hydronic systems that do not contain dissolved oxygen in system water, such as fresh water from frequent source of makeup water.

Valve designed for cycling (not constantly powered on) applications.

Materials

(Body): Brass

(Stem): Stainless Steel

(Seat): Brass

(Packing O-Ring): EPDM rubber

(Ball Plug): Buna-N (NBR) Rubber Ball

Approvals

Underwriters Laboratories, Inc: UL Listed: File MH11826

Replacement Parts:

802360JA-24V, 50/60 Hz Replacement motor for V8043, V8044 Zone Valves

802360UA-24V, 50/60 Hz Replacement motor for steam and heating Zone Valves

Product Number	Capacity		Pipe Size		Connection Type	Auxiliary End Switch	Maximum Close-off Pressure		Current Draw (A)	Manual Opener	Electrical Connections
	(Cv)	(Kv)	inch	DN			(psi)	(kPa)			
V8043A1003/U	3.5 Cv	3 Kv	1/2 in.	DN15	Flare	—	20 psi	138 kPa	0.32A	Yes	18 in. (457 mm) leads
V8043A1011/U	3.5 Cv	3 Kv	1/2 in.	DN15	Sweat	—	20 psi	138 kPa	0.32A	Yes	18 in. (457 mm) leads
V8043A1029/U	3.5 Cv	3 Kv	3/4 in.	DN20	Sweat	—	20 psi	138 kPa	0.32A	Yes	18 in. (457 mm) leads
V8043A1037/U	3.5 Cv	3 Kv	1 in.	DN25	Sweat	—	20 psi	138 kPa	0.32A	Yes	18 in. (457 mm) leads
* V8043A1193/U	3.5 Cv	3 Kv	1/2 in.	DN15	Inverted Flare	—	20 psi	138 kPa	0.32A	Yes	18 in. (457 mm) leads
V8043A1227/U	3.5 Cv	3 Kv	1/2 in.	DN15	NPT	—	20 psi	138 kPa	0.32A	Yes	18 in. (457 mm) leads
* V8043E1004/U	3.5 Cv	3 Kv	1/2 in.	DN15	Sweat	N.O. SPST	20 psi	138 kPa	0.32A	Yes	18 in. (457 mm) leads
* V8043E1012/U	3.5 Cv	3 Kv	3/4 in.	DN20	Sweat	N.O. SPST	20 psi	138 kPa	0.32A	Yes	18 in. (457 mm) leads
* V8043E1020/U	3.5 Cv	3 Kv	1 in.	DN25	Sweat	N.O. SPST	20 psi	138 kPa	0.32A	Yes	18 in. (457 mm) leads
V8043E1061/U	8 Cv	6.9 Kv	3/4 in.	DN20	Sweat	N.O. SPST	8 psi	55 kPa	0.32A	Yes	18 in. (457 mm) leads
V8043E1079/U	8 Cv	6.9 Kv	1 in.	DN25	Sweat	N.O. SPST	8 psi	55 kPa	0.32A	Yes	18 in. (457 mm) leads
* V8043E1129/U	3.5 Cv	3 Kv	1/2 in.	DN15	Inverted Flare	N.O. SPST	20 psi	138 kPa	0.32A	Yes	18 in. (457 mm) leads
V8043E1137/U	10 Cv	8.6 Kv	1 in.	DN25	NPT	N.O. SPST	6.5 psi	45 kPa	0.32A	Yes	18 in. (457 mm) leads
V8043E1145/U	3.5 Cv	3 Kv	3/4 in.	DN20	NPT	N.O. SPST	20 psi	138 kPa	0.32A	Yes	18 in. (457 mm) leads
* V8043F1028/U	3.5 Cv	3 Kv	1/2 in.	DN15	Sweat	N.O. SPST	20 psi	138 kPa	0.32A	Yes	screw terminal block
* V8043F1036/U	3.5 Cv	3 Kv	3/4 in.	DN20	Sweat	N.O. SPST	20 psi	138 kPa	0.32A	Yes	screw terminal block
* V8043F1051/U	3.5 Cv	3 Kv	1 in.	DN25	Sweat	N.O. SPST	20 psi	138 kPa	0.32A	Yes	screw terminal block
V8043F1093/U	8 Cv	6.9 Kv	3/4 in.	DN20	Sweat	N.O. SPST	8 psi	55 kPa	0.32A	Yes	screw terminal block
V8043F1101/U	8 Cv	6.9 Kv	1 in.	DN25	Sweat	N.O. SPST	8 psi	55 kPa	0.32A	Yes	screw terminal block

* TRADELINE models • SUPER TRADELINE models

V8043 Low Voltage Normally Open Valves For Steam



Sweat Connection



NPT Connection

On-off and two way low voltage valves consist of an actuator and valve assembly for controlling the flow of low pressure steam.

- All models may be installed without disassembling the valve.
- Compact construction for easy installation.
- Complete powerhead may be removed or replaced without breaking plumbing line connections or draining the system.
- Actuator motor may be replaced without removing the valve body or draining the system.
- Suitable for use 15 psi low pressure steam application.

Application: Steam (low pressure) Control

Type: Two position

Body Pattern: Two-way, Straight-through

Valve Action: Spring return to open

Voltage: 24 Vac

Frequency: 50 Hz; 60 Hz

Power Consumption: 7.7 VA

Nominal Timing (sec, min): De-energized Position: Normally Open

Electrical Connections: 18 in. leads (457 mm leads)

Fluid Temperature Range: 50 F to 240 F (10 C to 116 C)

Maximum Ambient Temperature: 125 F (52 C)

Materials

(Body): Brass

(Stem): Stainless Steel

(Seat): Brass

(Packing O-Ring): EPDM rubber

(Ball Plug): EPDM Rubber Ball

Comments: For low pressure (15 psi) steam application

Approvals

Underwriters Laboratories, Inc: UL Listed: File MH11826

Replacement Parts:

802360UA-24V, 50/60 Hz Replacement motor for steam and heating Zone Valves

Product Number	Capacity		Pipe Size		Connection Type	Maximum Close-off Pressure		De-energized Position	Current Draw (A)	Manual Opener
	(Cv)	(Kv)	inch	DN		(psi)	(kPa)			
V8043J1003/U	3.5 Cv	3 Kv	1/2 in.	DN15	Sweat	20 psi	138 kPa	Normally Open	0.42A	No
V8043J1029/U	3.5 Cv	3 Kv	1/2 in.	DN15	NPT	20 psi	138 kPa	Normally Open	0.42A	No
V8043J1037/U	3.5 Cv	3 Kv	3/4 in.	DN20	NPT	20 psi	138 kPa	Normally Open	0.42A	No

Motorized Zone Valves

V8043 Low Voltage Normally Open Zone Valves



Sweat Connection



NPT Connection

Application

Hydronic Control

Type: Two position

Body Pattern: Two-way, Straight-through

Valve Action: Spring return to open

Voltage: 24 Vac

Power Consumption: 7.7 VA

Nominal Timing (sec, min): De-energized Position: Normally Open

Electrical Connections: 18 in. leads (457 mm leads)

Fluid Temperature Range: 40 F to 200 F (5 C to 93 C)

Maximum Ambient Temperature: 125 F (52 C)

Comments: Use this valve in closed loop hydronic systems that do not contain dissolved oxygen in system water, such as fresh water from frequent source of makeup water.

Valve designed for cycling (not constantly powered on) applications.

On-off and two-way low voltage valves consist of an actuator and valve assembly for controlling the flow of hot water.

- All models may be installed without disassembling the valve.
- Compact construction for easy installation.
- Complete powerhead may be removed or replaced without breaking plumbing line connections or draining the system.
- Actuator motor may be replaced without removing the valve body or draining the system.
- No Manual opener

Materials

(Body): Brass

(Stem): Stainless Steel

(Seat): Brass

(Packing O-Ring): EPDM rubber

(Ball Plug): Buna-N (NBR) Rubber Ball

Approvals

Underwriters Laboratories, Inc: UL Listed: File MH11826

Replacement Parts:

802360JA-24V, 50/60 Hz Replacement motor for V8043, V8044 Zone Valves

802360UA-24V, 50/60 Hz Replacement motor for steam and heating Zone Valves

Product Number	Capacity		Pipe Size		Connection Type	Maximum Close-off Pressure		De-energized Position	Frequency	Current Draw (A)	Manual Opener
	(Cv)	(Kv)	inch	DN		(psi)	(kPa)				
V8043B1019/U	3.5 Cv	3 Kv	1/2 in.	DN15	Sweat	20 psi	138 kPa	Normally Open	60 Hz	0.32A	No
V8043B1027/U	3.5 Cv	3 Kv	3/4 in.	DN20	Sweat	20 psi	138 kPa	Normally Open	60 Hz	0.32A	No
V8043B1076/U	3.5 Cv	3 Kv	3/4 in.	DN20	NPT	20 psi	138 kPa	Normally Open	50 Hz; 60 Hz	0.32A	No

V8043 Low Voltage Series 5000 QuickFit® Zone Valves

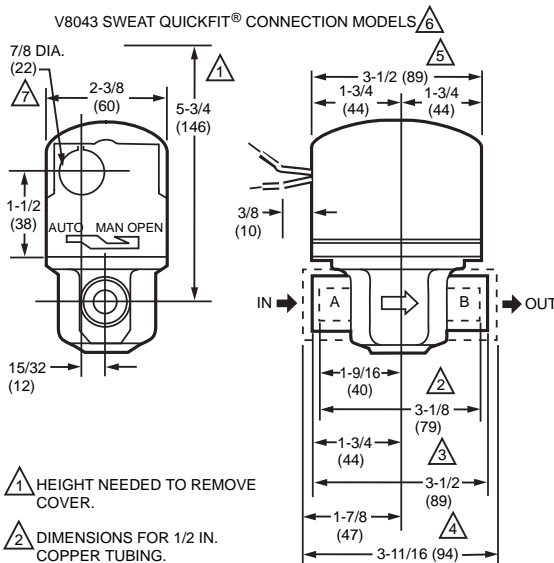


Sweat Connection

Two-way on-off low voltage valves consist of an actuator and valve assembly for controlling the flow of hot water.

- All models may be installed without disassembling the valve.
- Compact construction for easy installation.
- Manual opener (on all models, except straight-through, normally open valves) for valve operation on power failure; valve returns to automatic position when power is restored.
- Complete powerhead may be removed or replaced without breaking plumbing line connections or draining the system.
- “Quick Fit” pushbutton powerhead makes it easy to remove for service.
- Series 5000 replacement powerhead is backward compatible with series 1000 zone valves.
- Innovative motor technology offers silent operation, water hammer resist and longer life.

Dimensions in inches (millimeters)



- 1 HEIGHT NEEDED TO REMOVE COVER.
- 2 DIMENSIONS FOR 1/2 IN. COPPER TUBING.
- 3 DIMENSIONS FOR 3/4 IN COPPER TUBING.
- 4 DIMENSIONS FOR 1 IN. COPPER TUBING.
- 5 4-7/8 IN. (124) MAX ON V8034F WITH TERMINAL BOARD ENCLOSURE.
- 6 V8043B VALVES THAT ARE NORMALLY OPEN IN THE DE-ENERGIZED POSITION HAVE NO MANUAL LEVER. THE VALVES ALSO HAVE A REVERSED POWERHEAD WHERE THE LEADWIRES EXIT THE POWERHEAD ABOVE THE B (OUTLET) PORT RATHER THAN ABOVE THE A (INLET) PORT.
- 7 OPENING FOR 1/2 IN. CONDUIT ON MANUAL LEVER SIDE FOR V8043

Application: Hydronic Control

Type: Two position

Body Pattern: Two-way, Straight-through

Valve Action: Spring return to close

Voltage: 24 Vac

Frequency: 60 Hz

Power Consumption: 7.2 VA

De-energized Position: Normally Closed

Fluid Temperature Range: 50 F to 200 F (10 C to 93 C)

Maximum Ambient Temperature: 125 F (52 C)

Materials

(Body): Brass

(Stem): Stainless Steel

(Seat): Brass

(Packing O-Ring): EPDM rubber

(Ball Plug): Buna-N (NBR) Rubber Ball

Comments: Use this valve in closed loop hydronic systems that do not contain dissolved oxygen in system water, such as fresh water from frequent source of makeup water.

Valve designed for cycling (not constantly powered on) applications.

Approvals

Underwriters Laboratories, Inc: CSA C/US: File 1322

Hydronic Controls

Product Number	Capacity		Pipe Size		Connection Type	Auxiliary End Switch	Maximum Close-off Pressure		Current Draw (A)	Manual Opener	Electrical Connections
	(Cv)	(Kv)	inch	DN			(psi)	(kPa)			
V8043A5011/U	3.5 Cv	3 Kv	1/2 in.	DN15	Sweat	—	20 psi	138 kPa	0.32A	Yes	18 in. (457 mm) leads
V8043A5029/U	3.5 Cv	3 Kv	3/4 in.	DN20	Sweat	—	20 psi	138 kPa	0.32A	Yes	18 in. (457 mm) leads
V8043E5004/U	3.5 Cv	3 Kv	1/2 in.	DN15	Sweat	N.O. SPST	20 psi	138 kPa	0.32A	Yes	18 in. (457 mm) leads
V8043E5012/U	3.5 Cv	3 Kv	3/4 in.	DN20	Sweat	N.O. SPST	20 psi	138 kPa	0.32A	Yes	18 in. (457 mm) leads
V8043E5020/U	3.5 Cv	3 Kv	1 in.	DN25	Sweat	N.O. SPST	20 psi	138 kPa	0.32A	Yes	18 in. (457 mm) leads
V8043E5061/U	8 Cv	6.9 Kv	3/4 in.	DN20	Sweat	N.O. SPST	8 psi	55 kPa	0.32A	Yes	18 in. (457 mm) leads
V8043E5079/U	8 Cv	6.9 Kv	1 in.	DN25	Sweat	N.O. SPST	8 psi	55 kPa	0.32A	Yes	18 in. (457 mm) leads
V8043F5036/U	3.5 Cv	3 Kv	3/4 in.	DN20	Sweat	N.O. SPST	20 psi	138 kPa	0.32A	Yes	screw terminal block
V8043F5051/U	3.5 Cv	3 Kv	1 in.	DN25	Sweat	N.O. SPST	20 psi	138 kPa	0.32A	Yes	screw terminal block
V8043F5093/U	8 Cv	6.9 Kv	3/4 in.	DN20	Sweat	N.O. SPST	8 psi	55 kPa	0.32A	Yes	screw terminal block