

VNT5070H1000

Ventilation System

SPECIFICATION DATA

VNT5070 Capacities and Performance

Part Number:	VNT5070H1000
Product Weight:	33 lbs (15.0 Kg)
Input Voltage:	120 VAC; 60 Hz.
Input Current:	.85 A
Output Power to Terminals:	5 VDC, 1.0 A
Operating Ranges:	
Temp:	34–135 °F (1.1–57.2 °C)
Humidity:	0–99% RH
CFM:	30–160
Type of Heat Exchanger:	Cross-flow (Polypropylene)
Exchange Surface:	85 sq. ft.
Energy Core Dimensions:	
Width:	10 in. (254 mm)
Height:	10 in. (254 mm)
Length:	9 in. (229 mm)
Filter Dimensions:	
Height:	9 in. (229 mm)
Width:	9.75 in. (248 mm)
Shipping Specs:	
Length:	23.5 in. (597 mm)
Height:	21.5 in. (546 mm)
Width:	16.25 in. (413 mm)
Weight:	40 lbs (18.14 Kg)
Defrost Type:	Evacuation
Drain Tubing	
Diameter:	1/2 in. (12.7 mm)
Flexible Duct (2):	
5 in. oval for inlet and outlet. Flexible vinyl, compatible for connection to flexible ducting with sheet metal screws and/or tape.	
Cabinet:	20 gauge galvanized steel powder-coat painted.
Certification:	HVI, QPS, SGSUSTC, ARI 1060, CSA 22.2 N° 113
Conforms to UL Std. 1812.	
Install the unit according to National Electric Codes.	
For more information call 1-800-468-1502 or visit our website at customer.honeywell.com.	



Dimensions and Clearances

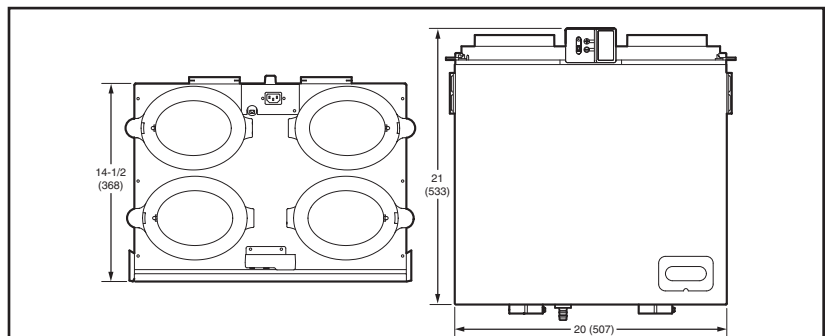


Fig. 1. Dimensions in in. (mm) and clearances.

The Honeywell Ventilation System provides improved indoor air quality through its high performance and efficiency.

Features

- 2 operating modes (Intermittent and Continuous Ventilation)
- Variable speed
- Compact installation
- Sloped drain pan
- Backward inclined motor blades
- Permanent lubrication of PSC motors
- Door opens downward
- No obstruction around the drain pan
- Simple electronic control
- Easy access to the control connection box
- Detachable 5 inch (dia.) collar system
- Proportional defrost
- Speed control balancing system
- Simplified mounting system
- Washable HRV core
- 10-year limited warranty on ventilation motors
- 5-year warranty



Removable Duct Collars

Spend less time on the ladder by easily connecting the ductwork to the collars away from the unit before it's hung, and then sliding the collars back into place once ducted.

Intuitive Balancing

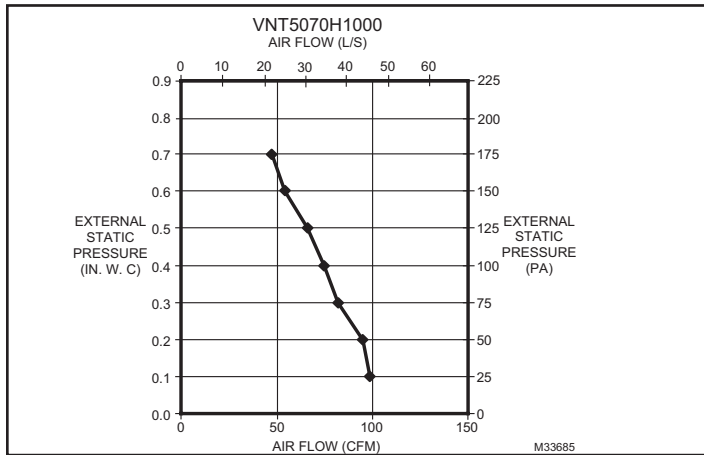
Two variable-speed motors — one for each air stream — work with the integrated speed control so installers can adjust the speed of each motor up and down to easily balance the system. This eliminates the need for adjusting dampers.

Wall Mounting Bracket

Hangs easily to wall studs with included bracket and with top ported ducts it can fit into narrow places.

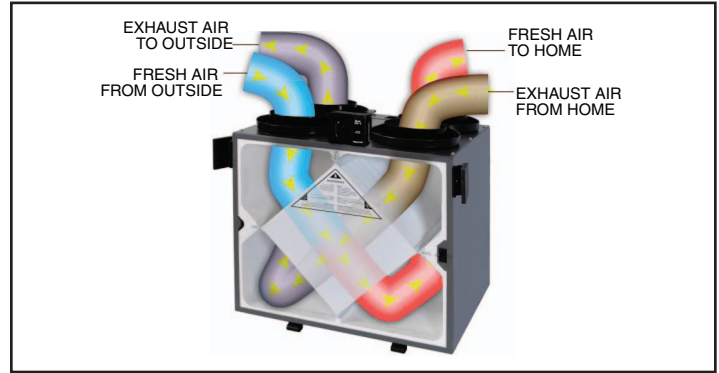
Ventilation Performance VNT5070H1000

External Static Pressure		Net Supply Air Flow	
Pa	in w.c.	L/s	CFM
25	0.1	47	99
50	0.2	44	93
75	0.3	39	83
100	0.4	35	75
125	0.5	30	65
150	0.6	27	56
175	0.7	22	46



Push Through—Operation System

Outside air is pushed through the heat exchanger, which acts as a noise reducer. This process is very silent and provides you with better home comfort.



Proportional Defrost—Operation System

The defrost energy is controlled by the outdoor air temperature. The motor speed essentially increases as outdoor temperature drops to provide increased defrost capability.

2 in 1 Ventilation

The 2 in 1 ventilation, Matrix Hood (50063805-009) allows supply exhaust from a single part to exterior wall. Designed for optimum air flow and low cross-contamination at flow rates under 100 CFM.



WARNING: Installation must be performed by a qualified service technician and must comply with local codes. Remove power to the device before installing or servicing the device. Failure to connect the device according to these instructions may result in damage to the device or the controls.

Energy Performance VNT5150H

	Supply Temperature		Net Supply Air Flow		Average Power	Sensible Recovery	Apparent Sensible
	°C	°F	L/s	CFM	Watts	Efficiency (%)	Effectiveness (%)
Heating	0	32	19	40	28	64	72
	0	32	30	65	40	59	66
	-25	-13	18	37	30	55	73

Automation and Control Solutions

Honeywell International Inc.
1985 Douglas Drive North
Golden Valley, MN 55422

<http://customer.honeywell.com>

Honeywell

© U.S. Registered Trademark.
© 2013 Honeywell International Inc.
68-3100—01 M.S. 10-13
Printed in U.S.A.