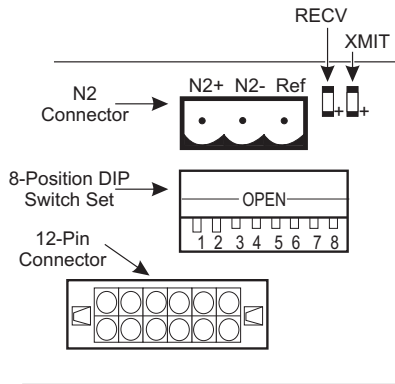


AS-COM1100-0

COM1100 N2 Communication Module



COM1100 N2 Communication Module

Description

The COM1100 N2 Communication Module is an add-on module for small controllers requiring N2 networking to systems, such as the Unitary (UNT) controller to the Metasys® system. The module provides networking capabilities for FX10, UNT400 Series, and UNT10XX Series controllers that are specific to the needs of Original Equipment Manufacturers (OEMs). The COM1100 plugs in to the controller using a 12-pin connector (2 x 6-pin connector header) and four holes for standoff placement. An 8-position DIP switch provides N2 Addressing. The module has transmit and receive data optocouplers that provide isolation from noise and transients.

For more information on the COM1100 including mounting and wiring instructions, refer to the *COM1100 N2 Communication Module Product/Technical Bulletin (LIT-1201681)*.

Repair Parts

Replace unit.

To Order

Specify the code number from the following selection chart.

Selection Chart

Code Number	Description
AS-COM1100-0	COM1100 N2 Communication Module

Specifications

AS-COM1100-0 COM1100 N2 Communication Module	
Power Requirements	+5 VDC, ±10% (Supplied by the controller)
Ambient Operating Conditions	-40 to 70°C; (-40 to 158°F), 5 to 99% RH
Ambient Storage Conditions	-40 to 85°C; (-40 to 185°F), 5 to 99% RH
Fault Tolerance	The unit can withstand a short circuit of any of the three communication lines to ground, to each other, or to 24 VAC.
Terminations	Three-position 90° screw terminals
Communications Bus	N2 Bus; Refer to the <i>N2 Communications Bus Technical Bulletin (LIT-636018)</i> for details.
N2 Controller Addressing	Eight-position DIP switch set (1-254) Addresses 0 and 255 are invalid for this application.
Dimensions (L x W x H)	118 x 107 x 56 mm (4.6 x 4.2 x 2.2 in.)
Mounting	Plugs onto 12-pin header and four standoffs.
Agency Listings	UL Listed, CSA Certified, and CE Mark FCC: CFR 47 Part 15 Class B UL: UL 864, UL 916, UL 873 CSA: C22.2 No. 205 IEEE 587 Category A