

**NEW
MULTI-RANGE
LCD COMBO**

Model DPT 260

Very Low Differential Multi-Configurable Pressure Transducer

Unidirectional Ranges: 0.1 - 10 in. W.C.

Bidirectional Ranges: ± 0.1 - 10 in. W.C.

Air or Non-Conducting Gas



Setra Systems 260 pressure transducers sense differential or gauge (static) pressure and convert this pressure difference to a proportional electrical output for either field selectable unidirectional or bidirectional pressure ranges. The 260 Series is offered with field selectable high level analog outputs of 1 to 5, 0 to 5, and 0 to 10 VDC, or 4 to 20 mA.

Used in Building Energy Management Systems, these transducers are capable of measuring pressures and flows with the performance necessary for proper building pressurization and air flow control.

The 260 Series transducers can be configured for air pressure ranges as low as 0.1 in. W.C. full scale. Static standard accuracy is $\pm 1.0\%$ full scale in normal ambient temperature environments. The units are temperature compensated to within $\pm 0.02\%FS/^\circ F$ ($0.036\%FS/^\circ C$) for zero and span.

The Model 260 utilizes an all stainless steel micro-tig welded sensor. The tensioned stainless steel diaphragm and insulated stainless steel electrode, positioned close to the diaphragm, form a variable capacitor. Positive pressure moves the diaphragm toward the electrode, increasing the capacitance. A decrease in pressure moves the diaphragm away from the electrode, decreasing the capacitance. The change in capacitance is detected and converted to a linear DC electrical signal by Setra's custom ASIC technology.

Optional Static Probe Designed with a Gasket to Seal Against the Duct.


Ranges

Model	Unidirectional	Bidirectional
MS1	0.1, 0.25, 0.5, 1.0 in. WC FS	$\pm 0.1, 0.25, 0.5, 1.0$ in. WC FS
MS2	1.0, 2.5, 5.0, 10 in. WC FS	$\pm 1.0, 2.5, 5.0, 10$ in. WC FS

Target Users

- Service/Retrofit Friendly
- Small Users - Inventory & Installation Savings
- Sub-Contractors - Quick Installation
- Flexible for Building Specification Changes
- Service Technicians - Quick and Accurate Reconfigurations

Features

- Standard 3 1/2 Digit LCD
- Field Selectable Multi-Range
- Field Selectable Multi-Output
- Fast Response Time
- Simple 5-Step Setup - All Slide Switch Operation
- Field Accessible Push Button Zero
- Hinged Cover
- External Mounting Tabs
- Unregulated AC/DC Operation
- Microprocessor Based Electronics - Guarantees Range to Range Performance
- NIST Traceable
- Fire Retardant Case (UL 94 V-0 Approved)
- Meets  Conformance Standards



Visit Setra Online:
<http://www.setra.com>

setra

800-257-3872

Model 260 Specifications

Performance Data

Thru All Field Selectable Ranges

	Standard
Accuracy* RSS(at constant temp)	±1.0% FS
Non-Linearity, BFSL	±0.96% FS
Hysteresis	0.10% FS
Non-Repeatability	0.05% FS
Thermal Effects**	
Compensated Range °F (°C)	32 to 122 (0 to 50)
Zero/Span Shift %FS/°F(°C)	0.02 (0.036)
Maximum Line Pressure	10 psi
Long Term Stability (max)	0.5% FS/1 YR MS2 & MS4 1.0% FS/1 YR MS1 & MS3

Position Effect

Zero Offset (%FS/G)	0.2%
---------------------	------

(Unit is factory calibrated at 0g effect in the vertical position.)

* RSS of Non-Linearity, Hysteresis, and Non-Repeatability.

**Units calibrated at nominal 70 °F. Maximum thermal error computed from this datum.

NOTE: Setra quality standards are based on ANSI-Z540-1. The calibration of this product is NIST traceable.

Environmental Data

Temperature	
Operating* °F (°C)	32 to 122 (0 to 50)

Physical Description

Case	Fire-Retardant Glass Filled Polyester (UL 94 V-0 Approved) Hinged Lid
Mounting	Two External Screw Holes Vertical Position
Electrical Connection	Removable Screw Terminal Block
Pressure Fittings	3/16" O.D. Barbed Brass Pressure Fitting
Zero	Push Button
Weight (approx.)	8 ounces

Pressure Media

Typically air or similar non-conducting gases.

Specifications subject to change without notice.

U.S. Patent nos. 4093915; 4358814; 4434203; 6019002; 6014800.
Other Patents Pending.

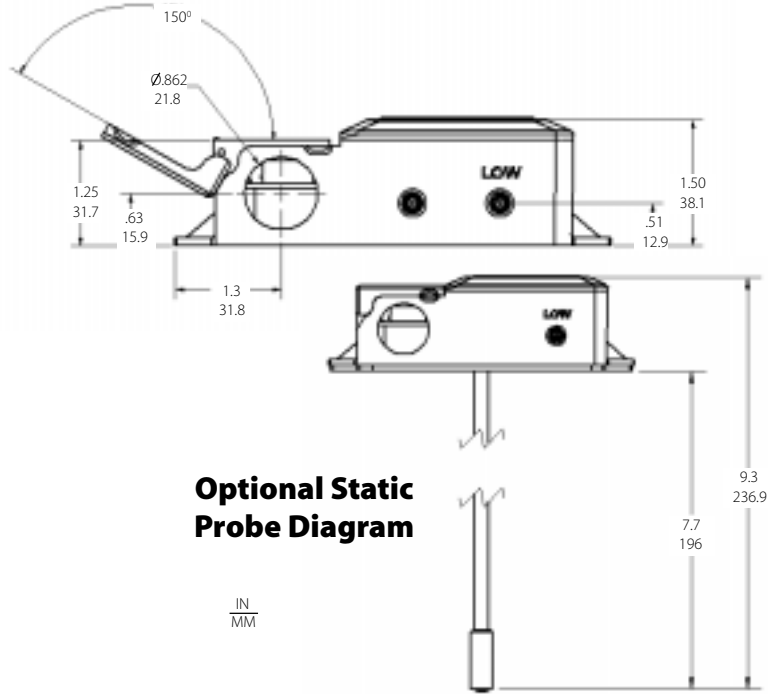
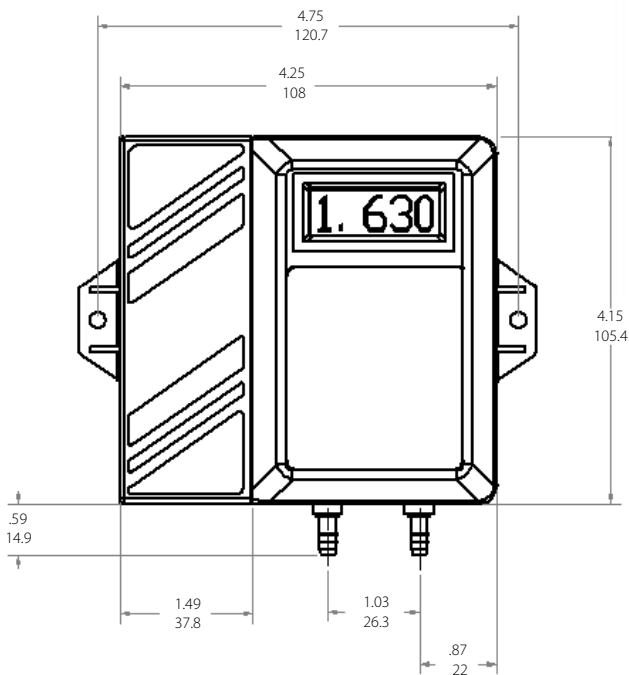
Electrical Data (Voltage)

Circuit	3-Wire (Com, Exc, Out) Protected from Miswiring
Excitation	13 - 30 VDC/VAC
Field Selectable Output*	1 to 5, 0 to 5 or 0 to 10 VDC**
Bidirectional Output at Zero	
Pressure:	1 to 5 VDC = 3 VDC 0 to 5 VDC = 2.5 VDC 0 to 10 VDC = 5 VDC
Output Impedance	500 ohms
*Calibrated into a 50K ohm load, operable into a 10K ohm load or greater. **Span (Full Scale) output factory set to within 1%.	

Electrical Data (Current)

Circuit	2-Wire Protected from Miswiring
Excitation	24V (DC Only)
Field Selectable Output*	4 to 20mA**
Bidirectional Output at Zero	
Pressure:	12mA**
External Load	0 to 800 ohms
Minimum supply voltage (VDC) = 13 Volts (at terminal)	
Maximum supply voltage (VDC) = 30 Volts (at terminal)	
*Calibrated at factory with a 24 VDC loop supply voltage and a 250 ohm load. **Span (Full Scale) output factory set to within ±0.16mA.	

Outline Drawings



Optional Static Probe Diagram

IN
MM

JCI260 Rev. A 12/05

ORDERING INFORMATION

Part Number	Description
DPT260-MS1	0.1, 0.25, 0.5, 1.0 in. WC FS / ±0.1, 0.25, 0.5, 1.0 in. WC FS
DPT260-MS2	1.0, 2.5, 5.0, 10 in. WC FS / ±1.0, 2.5, 5.0, 10 in. WC FS
DPT260-MS1-SP	0.1, 0.25, 0.5, 1.0 in. WC FS / ±0.1, 0.25, 0.5, 1.0 in. WC FS with Static Probe
DPT260-MS2-SP	1.0, 2.5, 5.0, 10 in. WC FS / ±1.0, 2.5, 5.0, 10 in. WC FS with Static Probe