

M9000 Damper Accessory Kits

Technical Bulletin

M9000-150, M9000-151, M9000-152,
M9000-153, M9000-154

Code No. LIT-2681105
Issued September 2017

Refer to the [QuickLIT website](#) for the most up-to-date version of this document.

M9000-150 Damper Mount Linkage Kit with M9000-152 Reinforcement Plate

The M9000-150 Damper Mount Linkage Kit with M9000-152 Reinforcement Plate provides remote inside duct mounting for Johnson Controls® M9000 Series Electric Actuators. This kit is designed for use on a three-blade or larger damper. The maximum spring return torque is 100 lb-in (11.3 N-m) at the damper pin.

Figure 1: Damper Mount Linkage Kit,
Dimension in./mm

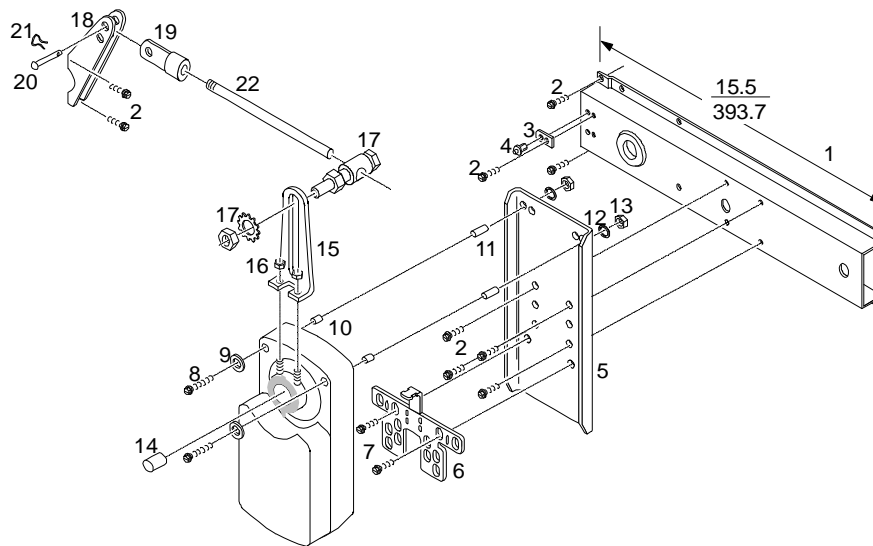


Table 1: Contents of the M9000-150 Damper Mount Linkage Kit (Part 1 of 2)

Item	Description	Quantity
1	Universal mounting bracket	1
2	No. 12-24 x 1/2 in. (13 mm) hex-head, thread-forming screws	9
3	Bracket reinforcement link	1
4	1/4 in. (6 mm) x 11/32 in. (9 mm) drive rivet	1
5	M9000-152 Reinforcement Plate	1
6	Anti-rotation bracket ¹	1
7	Anti-rotation bracket screws ¹	2
8	Long screws	2
9	Washers (M9100 Series Electric Actuators)	2
10	Inserts (M9100 Series Electric Actuators)	2
11	Spacers	2
12	Lock washers	2
13	Nuts	2

Table 1: Contents of the M9000-150 Damper Mount Linkage Kit (Part 2 of 2)

Item	Description	Quantity
14	Shaft clamp plug (from the M9000-153 Crankarm Kit)	1
15	Crankarm (from the M9000-153 Crankarm Kit)	1
16	Nuts ¹	2
17	Swivel ball joint	1
	Lock washer	1
	Nut	1
18	Blade arm bracket	1
19	Rod connection head	1
20	Connection head pin	1
21	Connection head clip	1
22	Rod	1

1. Included with the electric actuator.

M9000-151 Base Mount Linkage Kit

The M9000-151 Base Mount Linkage Kit provides remote inside duct mounting for Johnson Controls M9000 Series Electric Actuators. This kit is designed for use on a three-blade or larger damper. The maximum spring return torque is 100 lb-in (11.3 N-m) at the damper pin.

Figure 2: M9000-151 Base Mount Linkage Kit, Dimensions in./mm

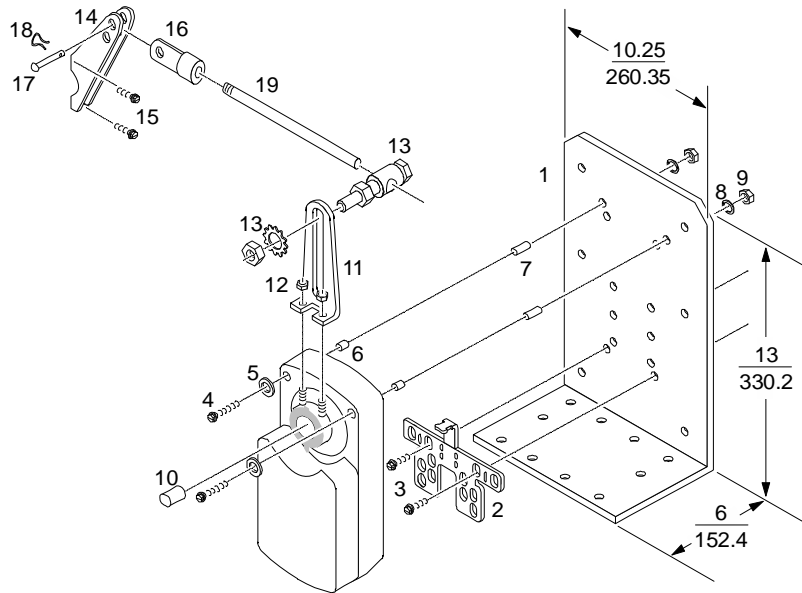


Table 2: Contents of the M9000-151 Base Mount Linkage Kit (Part 1 of 2)

Item	Description	Quantity
1	Upright mounting bracket	1
2	Anti-rotation bracket ¹	1
3	Anti-rotation bracket screws ¹	2
4	Long screws	2

Table 2: Contents of the M9000-151 Base Mount Linkage Kit (Part 2 of 2)

Item	Description	Quantity
5	Washers (M9100 Series Electric Actuators)	2
6	Inserts (M9100 Series Electric Actuators)	2
7	Spacers	2
8	Lock washers	2
9	Nuts	2
10	Shaft clamp plug (from the M9000-153 Crankarm Kit)	1
11	Crankarm (from the M9000-153 Crankarm Kit)	1
12	Nuts ¹	2
13	Swivel ball joint	1
	Lock washer	1
	Nut	1
14	Blade arm bracket	1
15	No. 12-24 x 1/2 in. (13 mm) hex-head, thread-forming screws	2
16	Rod connection head	1
17	Connection head pin	1
18	Connection head clip	1
19	Rod	1

1. Included with the electric actuator.

M9000-153 Crankarm Kit

The M9000-153 Crankarm Kit provides the crankarm and shaft plug for remote mounting of Johnson Controls M9000 Series Electric Actuators.

Figure 3: M9000-153 Crankarm Kit, Dimension in./mm

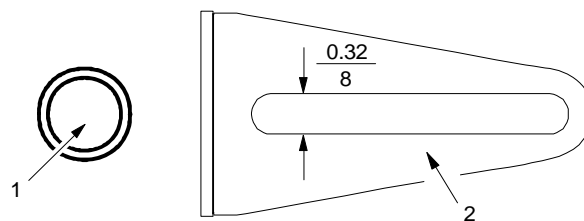


Table 3: Contents of the M9000-153 Crankarm Kit

Item	Description	Quantity
1	Shaft clamp plug	1
2	Crankarm	1

M9000-154 Jackshaft Coupler Kit, 1 in. (25 mm) Maximum Diameter

The M9000-154 Jackshaft Coupler Kit is designed for use with Johnson Controls M9108, M9116, and M9124 Series Electric Actuators.

**Figure 4: M9000-154 Jackshaft Coupler Kit,
1 in. (25 mm) Maximum Diameter**

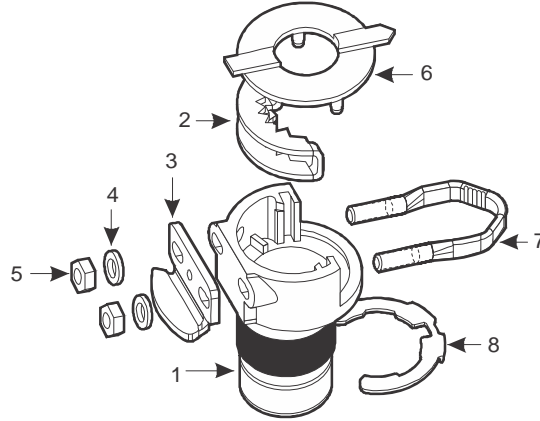


Table 4: Contents of the M9000-154 Jackshaft Coupler Kit

Item	Description	Quantity
1	Coupler	1
2	1.05 in. (27 mm) clamp	1
3	Limit stop	1
4	Washers	2
5	M6x1 hex nuts	2
6	Position indicator	1
7	1.05 in. (27 mm) U-bolt	1
8	Locking clip	1



Building Technologies & Solutions
507 E. Michigan Street, Milwaukee, WI 53202

*Metasys® and Johnson Controls® are registered trademarks of Johnson Controls.
All other marks herein are the marks of their respective owners. © 2017 Johnson Controls.*