

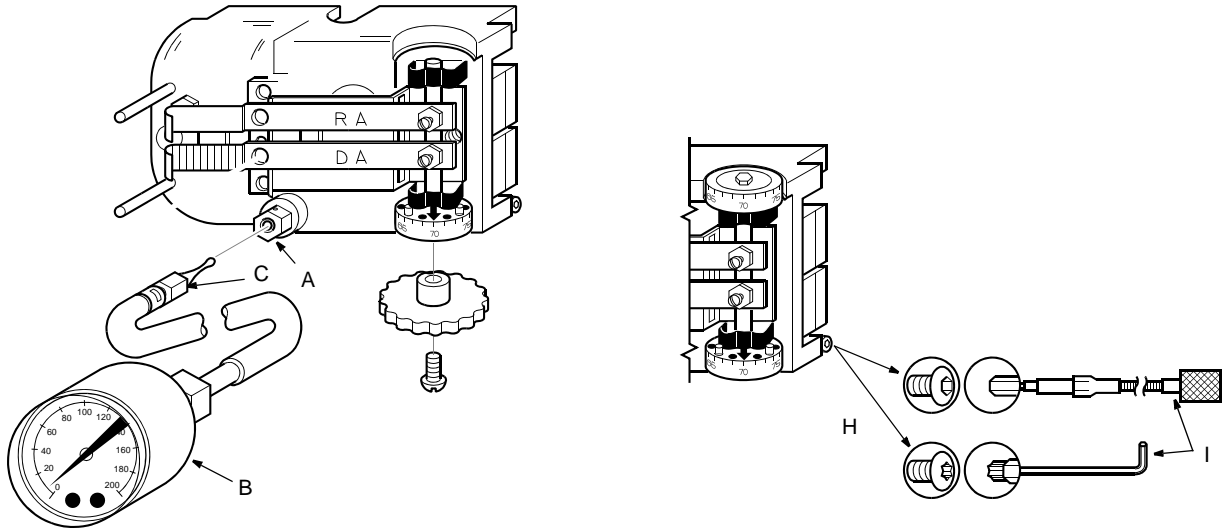
T-4000 Series

Test Equipment and Repair Parts

Description

The multi-part selection chart below lists the available repair parts and test equipment to maintain all T-4000 Series Pneumatic Thermostats.

Refer to *T-4000-619 Repair Parts Manual for H-4000, H-5000, T-4000 and T-5000 Series Instruments Installation Data (LIT-7171088X)* for important additional product information.

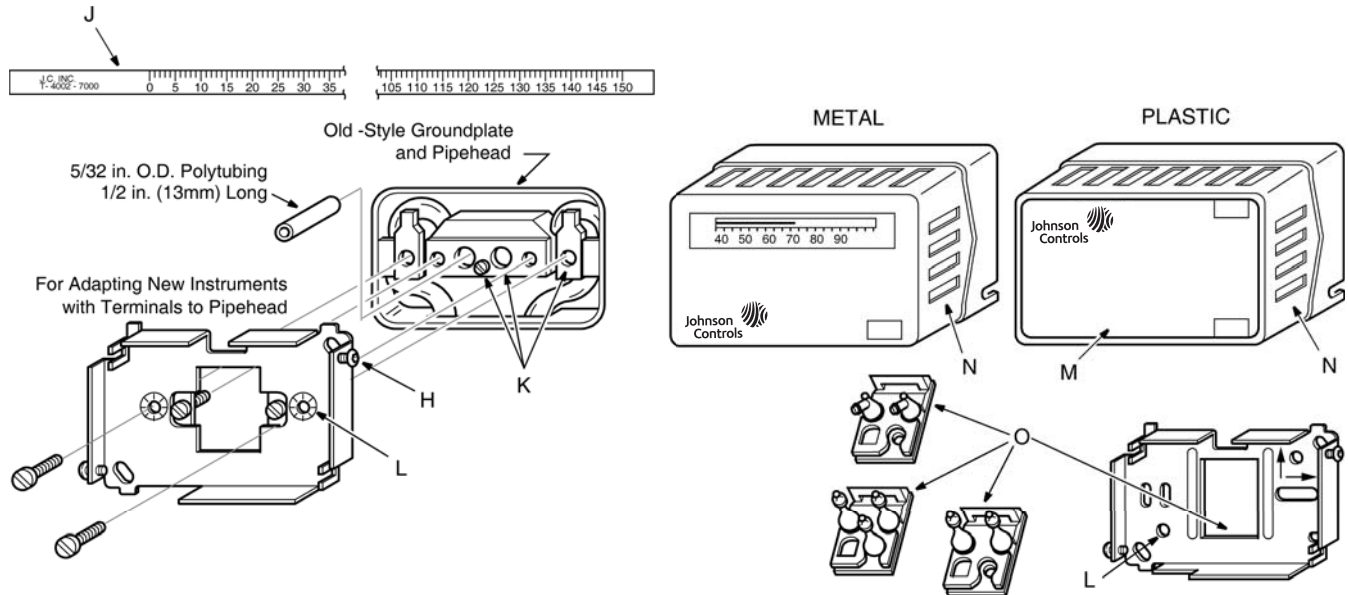


Selection Chart

T-4000 Test Equipment (Part 1 of 4)

| Code Number | Callout | Description | Where Used |
|-------------|---------|---|--|
| T-4000-615 | A | Test Port Fitting, Plug-In (Order in Multiples of Ten) | All Instruments |
| JC 5310 | B | Test Gages | 0 to 30 psig (0 to 210 kPa) |
| JC 5386 | | | 50 to 100°F, 40 to 240°F, 40 to 65°F, 60 to 85°F |
| JC 5361 | C | Hypodermic Test Probe with Two Needles | All Instruments Using the T-4000-615 Test Port Fitting |
| JC 5384 | | Replacement Needles (Order in Multiples of 12) | All Instruments |
| T-4002-617 | H | Screws for Cover and Bracket | #4-40 x 1/4 in. Hex Screws (Order in Multiples of 100) |
| T-4000-627 | | | #4-40 x 1/4 in. Torx Tamper Proof Screws with Driver (Order in Multiples of 50) |
| T-4000-628 | | | #4-40 x 1/4 in. Torx Tamper Proof Screws (Order in Multiples of 100) |
| JC 5309 | I | Cover and Bracket Screwdrivers | Allen Head Flex Driver (Order in Multiples of One) |
| T-4000-629 | | | Torx Tamper Proof Driver (Order in Multiples of Five) |

Test Equipment and Repair Parts (Continued)



T-4000 Test Equipment (Part 2 of 4)

| Code Number | Callout | Description | Where Used | | |
|-------------|----------------------|---|---|---|---|
| T-4506-100 | J | Stick-On Dial Strips: (Order in Multiples of Five) | Upper | 0 to 150°F | Dual Dial Thermostats Only (Upper Dial) |
| T-4506-102 | | | | -20 to 80°C | |
| T-4000-115 | | Horizontal Thermostats | Lower | 0 to 150°F | Single or Dual Dial Thermostats (Lower Dial) |
| T-4000-117 | | | | -20 to 80°C | |
| T-4000-116 | | Stick-On Dial Strips: (Order in Multiples of Five) | Right | 0 to 150°F | Single or Dual Dial Thermostats (Right Dial) |
| T-4506-101 | | | Left | 0 to 150°F | Dual Dial Thermostats Only (Left Dial) |
| T-4506-103 | Vertical Thermostats | | -20 to 80°C | | |
| T-4002-625 | K | Pipehead Gasket and Holding Screw For Two-Pipe and Three-Pipe Instruments (Order in Multiples of Ten) | | All Instruments with Pipeheads or Aspirator Wallboxes | |
| M-4002-600 | | Cover and/or Bracket Holding Nut (Order in Multiples of 50) | | | |
| T-4002-6049 | L | Mounting Brackets | For Old-Style Pipeheads | | |
| T-4002-124 | | Mounting Brackets; Kit Includes Drywall Clips, Spacers, and Mounting Templates | For Terminal Connectors (Order in Multiples of Ten) | | |
| T-4000-6140 | M | Faceplates for Plastic Covers (Order in Multiples of Ten) | Horizontal, Thermometer, No Windows | All 4000 Series Instruments with 1-3/4 in. High Plastic Covers | |
| T-4000-6142 | | | Horizontal, Thermometer, Single Window | | |
| T-4000-6146 | | | Vertical, Thermometer, Single Window | Note: Faceplates with Thermometer and Dual Window Cutouts Cannot be Used on Old-Style, 1-5/8 in. High Plastic Covers | |
| T-4000-6147 | | | Vertical, Thermometer, No Windows | | |
| T-4756-6739 | | | Vertical, Thermometer, Dual Windows | Horizontal, No Thermometer, Dual Windows | |
| T-4756-6738 | | | Horizontal, Thermometer, Dual Windows | | |
| T-4756-6141 | | | | These Faceplates can also be used on Old-Style Covers. | |
| T-4756-6145 | | | Vertical, No Thermometer, Dual Windows | | |
| T-4000-6139 | | | Horizontal Johnson Controls Logo Only | | |
| T-4000-6144 | | | Vertical, Johnson Controls Logo Only | | |
| T-4000-6145 | | | Vertical, No Thermometer Single Window | | |
| T-4000-6141 | | | Horizontal, No Thermometer Single Window | | |
| T-4000-6138 | | | Blank | | |
| T-4100-101 | | | Horizontal Johnson Controls Logo Only | All T-4100 and T-4600 Series Thermostats | |
| T-4100-102 | | | Horizontal Thermometer Johnson Controls Logo Only | | |
| T-4100-100 | | | Blank | | |

Test Equipment and Repair Parts (Continued)

T-4000 Test Equipment (Part 3 of 4)

| Code Number | Callout | Description | Where Used | | | | |
|--------------|---|--------------------------------------|---|--|---|---|--------------------------|
| T-4000-2138 | N | Beige Plastic Covers with Faceplates | All Instruments Except T-4100 and T-4600 Series Thermostats | | | | |
| T-4000-2139 | | | | Horizontal, Blank | | | |
| T-4000-2140 | | | | Horizontal, No Thermometer, No Windows | | | |
| T-4000-2141 | | | | Horizontal, Thermometer, No Windows | | | |
| T-4000-2142 | | | | Horizontal, No Thermometer, Single Window | | | |
| T-4000-2144 | | | | Horizontal, Thermometer, Single Window | | | |
| T-4000-2145 | | | | Vertical, No Thermometer, No Windows | | | |
| T-4000-2145 | | | | Vertical, No Thermometer, Single Window | | | |
| T-4000-2151 | | | | Vertical, Thermometer, No Windows | | | |
| T-4000-2146 | | | | Vertical, Thermometer, Single Window | | | |
| T-4756-1738 | | | | Horizontal, Thermometer, Dual Windows | | | |
| T-4756-1739 | | | | Vertical, Thermometer, Dual Windows | | | |
| T-4756-2141 | | | | Horizontal, No Thermometer, Dual Windows | | | |
| T-4100-600 | | | | Vertical, Thermometer, Single Window (Also Includes a Blank Faceplate) | T-4100 and T-4600 Series Thermostats | | |
| T-4000-3140 | | | | White Plastic Covers with Faceplates | Horizontal, Thermometer | All Instruments Except T-4100 and T-4600 Series Thermostats | |
| T-4000-3142 | Horizontal, Thermometer, Single Window | | | | | | |
| T-4000-3139 | Horizontal, No Thermometer, No Windows | | | | | | |
| T-4000-3141 | Horizontal, No Thermometer, Single Window | | | | | | |
| T-4000-3144 | Vertical, No Thermometer, No Windows | | | | | | |
| T-4000-3145 | Vertical, No Thermometer, Single Window | | | | | | |
| T-4000-3139B | Horizontal, No Thermometer, No Windows (Order in Multiples of 50) | | | | | | |
| T-4002-2137 | Metal Covers | Horizontal, Blank, Nickel | All Instruments Except T-4100 and T-4600 Series Thermostats. Note: Covers with Thermometers Cannot Be Used with Dual Dial Thermostats. | | | | |
| T-4002-2126 | | | | Horizontal, No Thermometer, No Windows, Nickel | | | |
| T-4002-2127 | | | | Horizontal, No Thermometer, No Windows, Brass | | | |
| T-4002-2123 | | | | Horizontal, Thermometer, Single Window, Nickel | | | |
| T-4002-2124 | | | | Horizontal, Thermometer, Single Window, Brass | | | |
| T-4506-2000 | | | | Horizontal, No Thermometer, Dual Windows, Nickel | | | |
| T-4506-2001 | | | | Horizontal, No Thermometer, Dual Windows, Brass | | | |
| T-4502-1736 | | | | Horizontal, No Thermometer, Slot for Indexing Switch, No Windows, Nickel | | | |
| T-4506-2004 | | | | Horizontal, No Thermometer, Slot for Indexing Switch, Dual Windows, Nickel | | | |
| T-4002-2132 | | | | Vertical, No Thermometer, No Windows, Nickel | | | |
| T-4002-2133 | | | | Vertical, No Thermometer, No Windows, Brass | | | |
| T-4002-2129 | | | | Vertical, Thermometer, Single Window, Nickel | | | |
| T-4002-2130 | | | | Vertical, Thermometer, Single Window, Brass | | | |
| T-4506-2002 | | | | Vertical, No Thermometer, Dual Windows, Nickel | | | |
| T-4506-2003 | | | | Vertical, No Thermometer, Dual Windows, Brass | | | |
| T-4000-616 | | | | O | Terminal Connectors (Order in Multiples of Ten) | For T-4000-110 Aspirator Wallbox | |
| T-4002-122 | | | | | | Three-Pipe Angle Fitting | |
| T-4002-123 | | | | | | Two-Pipe Straight Fitting | All Two-Pipe Instruments |
| T-4512-100 | | | | | | Two-Pipe Angle Fitting | |
| | | | | | Three-Pipe Straight Fitting | All Three-Pipe Instruments | |

Test Equipment and Repair Parts (Continued)

T-4000 Test Equipment (Part 4 of 4)

| Code Number | Callout | Description | Where Used |
|-------------|---------|--|---|
| T-4000-111 | P | Aspirator Wallbox Covers | Beige |
| T-4000-112 | | | Stainless Steel |
| R-3710-1005 | Q | Restrictors (Order in Multiples of Ten) | 0.005 in., Red |
| R-3710-2005 | | | 0.005 in., Red, 1/4 x 1/4 in., Straight Barbed Fitting |
| R-3710-2007 | | | 0.007 in., Aqua, 1/4 x 1/4 in., Straight Barbed Fitting |
| R-3710-3005 | | | 0.005 in., Red, 1/4 x 1/4 x 1/4 in., Barbed Tee |
| R-3710-3007 | | | 0.007 in., Aqua, 1/4 x 1/4 x 1/4 in., Barbed Tee |
| R-3710-3105 | | | 0.005 in., Red, 1/4 x 1/4 x 1/8 in., NPT Barbed Tee |
| R-3710-3107 | | | 0.007 in., Aqua, 1/4 x 1/4 x 1/8 in., NPT Barbed Tee |
| R-3710-3205 | | | 0.005 in., Red, 1/4 x 5/32 x 5/32 in., Barbed Tee |
| R-3710-3207 | | | 0.007 in., Aqua, 1/4 x 5/32 x 5/32 in., Barbed Tee |
| T-4000-622 | | | R |
| T-4000-623 | S | Aspirator Wallbox Retrofit Kit, Includes Instrument Mounting Bracket, Aspirator Subassembly, Terminal Connector, and Set Point Adjustment Wrench | Used in Conjunction with T-4000-111 or -112 Wallplate Cover to Upgrade T-4000-105 and T-4000-106 Aspirator Wallbox Kits to T-4000-110 Aspirator Wallbox Kit |

Note: When replacing a single-dial, dual-dial, dual-element thermostat with a dual-dial, dual-element, a new 1-3/4 in. high cover must be ordered to avoid possible interference between the old cover and the second dial on the new thermostat.

Test Equipment and Repair Parts (Continued)

