



PNEUMATICS & FITTINGS

THREE-WAY SOLENOID AIR VALVE V11 SERIES

DESCRIPTION

The **Johnson Controls V11 Series three-way solenoid air valves** have a capacity of 2592 scfm and have three connections: a normally open (N.O.) port with 1/8" FNPT connection, and normally closed (N.C.) and common (COM) ports with barbed fittings for 1/4" OD tubing. The posts in the die cast aluminum valve body have No. 60 mesh (217 micron openings) monel screens to prevent foreign material from entering the valve ports.



APPLICATION

The **V11 Series** is used in applications where the operation of a pneumatic device is dependent upon an electrical circuit. The valves direct supply air to the pneumatic device when the coil is energized or de-energized, depending on the supply and exhaust air connections.

All **V11 Series** valves are designed for use only as HVAC control system devices. Where system closure, improper flow, or loss of pressure due to valve failure can result in personal injury and/or loss of property, it is recommended that additional devices be added to accommodate proper system operation, such as using a whisker switch to monitor the blade position on smoke dampers.

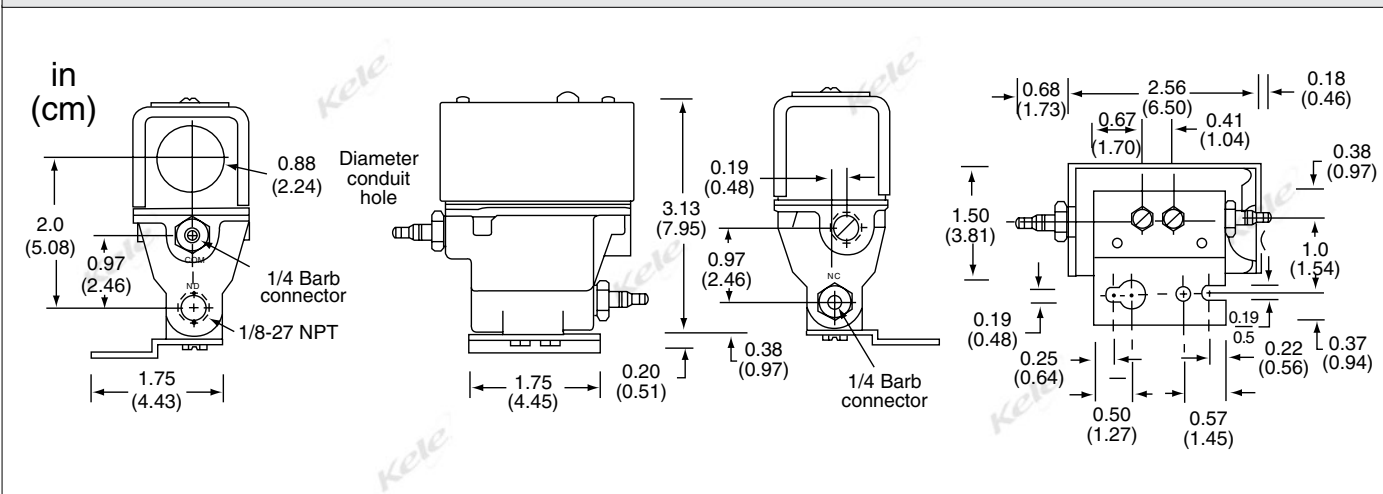
FEATURES

- **Three-port connection C, N.O., N.C.**
- **Two-position operation**
- **Positive air seal**
- **Manual operation for testing and checkout of some models**
- **Compact and lightweight**
- **Mounts in any position**
- **High capacity**

SPECIFICATIONS

Supply Voltage	See ordering information	Operating Temperature	
Supply Watts		AC models	32° to 140°F (0° to 60°C)
AC models	6W	DC models	32° to 104°F (0° to 40°C)
DC model	9W	Pressure Range	0 to 20 psig (0 to 138 kPa)
Connections	1/8" NPT normally open port; barbs for 1/4" OD tubing on common and normally closed port	Wiring	18" leads, 18 AWG, 7/8" knockout for 1/2" conduit connector
Override	Separately ordered key, Y99AA-4	Approvals	UL Listed, CSA
Air Capacity	2592 scfm, 1.5 scfm (42 lpm) @ 15 psig (105 kPa) supply	Warranty	1 year

DIMENSIONS

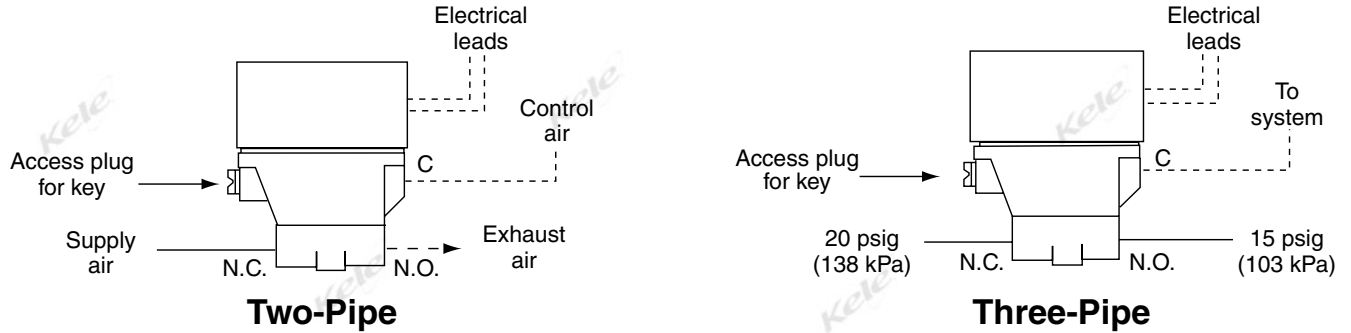


PNEUMATICS & FITTINGS

THREE-WAY SOLENOID AIR VALVE V11 SERIES



APPLICATION DIAGRAM



OPERATION

In a typical application, supply air is connected to the normally closed port, and the control device is connected to the common port. When the solenoid is energized, a magnetic field activates a plunger-type valve stem, and supply air is directed to the control device. When the solenoid is de-energized, the supply air connection is closed, and the normally open port exhausts air from the control device. Reverse action may be obtained by connecting the supply air to the normally open port, using the normally closed port for exhaust (see Application Diagram). For day/night or summer/winter two-pressure switching, see the example Three-pipe Application Diagram. To manually operate, remove the access plug, and insert the **Y99AA-4** key. The manual opener key is ordered separately.

ORDERING INFORMATION

MODEL	DESCRIPTION
V11PNA-105	24 VDC three-way air valve
V11HGA-100	24 VAC, 50/60 Hz three-way air valve
V11HAA-100	110/120 VAC, 50/60 Hz three-way air valve
V11HCA-100	208 VAC, 50/60 Hz three-way air valve
V11HBA-100	220/240 VAC, 50/60 Hz three-way air valve
V11HFA-100	277 VAC, 50/60 Hz three-way air valve
V11HDA-100	440/480 VAC, 50/60 Hz three-way air valve

ACCESSORIES	
Y99AA-4	Manual opener key