

Description

This economical two-part steel enclosure can contain a variety of control or other devices.

Features

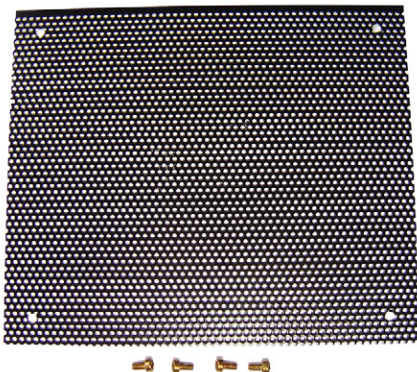
- ◆ Made of 18-gauge (base) and 22-gauge (cover) steel
- ◆ Black electrocoated finish
- ◆ 10.1 x 2.4 x 7.1 inches (257 x 62 x 181 mm)
- ◆ Screw bosses provided for mounting one of any of the KMD-5801/5802 controllers, KMD-7300/7400 series controllers, BAC-5801/5802 controllers, BAC-7300/7400 series controllers, or KMD-5540 series CommTalk protocol interfaces*
- ◆ Optional HMO-1102 perforated sub-panel mounts on screw bosses and allows devices with different mounting holes to be installed in the enclosure (using #6 sheet metal screws extending no more than 1/4-inch below the sub-panel)

*NOTE: For Conquest BAC-5900 and BAC-9300 series controllers, see the **HCO-1103** with integrated DIN rail for more convenient mounting.

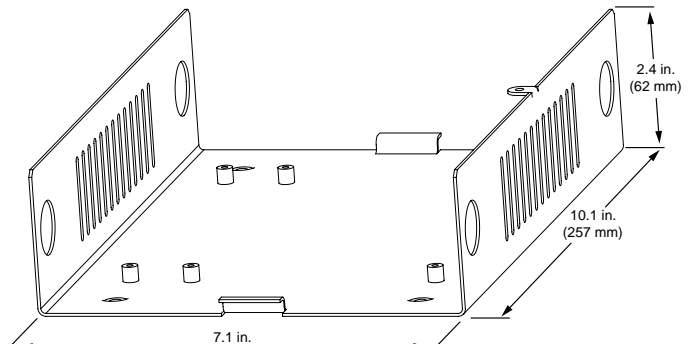
Accessories

HMO-1102

5-7/8 x 7 inches (149 x 178 mm) perforated sub-panel, 18-gauge steel, black electrocoated finish



(Shown with a KMD-7401 controller mounted inside)



KMC Controls, Inc.

19476 Industrial Drive
New Paris, IN 46553
574.831.5250

www.kmccontrols.com
info@kmccontrols.com