

Description

The KMC REE-5017 relay module is designed primarily for use with fan-powered induction units requiring time-proportional control of electric hot water valves on VAV terminal units in HVAC systems. Both fan and valve outputs are controlled by the thermostat's heating setpoint.

Adjustment of the fan starting point allows optimum use of warm air in the return air plenum before opening the hot water valve. The start point may be adjusted from on requirement for heat prior to the valve opening or when the valve begins to open. The fan output circuit is capable of handling contactors of up to 10 VA @ 24 VAC.

The valve output circuit provides a 24 VAC control signal output for **time-proportional** control of Normally Open valves with a PTC (Positive Temperature Coefficient) **thermal element actuator**. The percent on-time of the (discontinued) VEP-12/22/34/37 series valves varies in direct proportion to the thermostat's signal. Therefore, as the thermostat signal increases, the percent on-time of the valve increases. The REE-5017 can control up to three valves. (MEP-3001/3006 replacement thermal actuators for existing valves are still available.)

The REE-5017 is intended for use with the following:

Associated Controllers/Actuators:

CSP-5001/5002

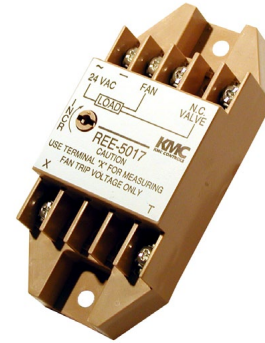
Associated Thermostats:

CTE-5104

CTE-5202

NOTE: See the [CSP-5001/5002 Applications Guide](#) and the [CTE-5202 Applications Guide](#) for additional information on applications.

NOTE: For Normally Closed valves, see the [REE-5024 Data Sheet](#).



Still... Made in the U.S.A.

Features

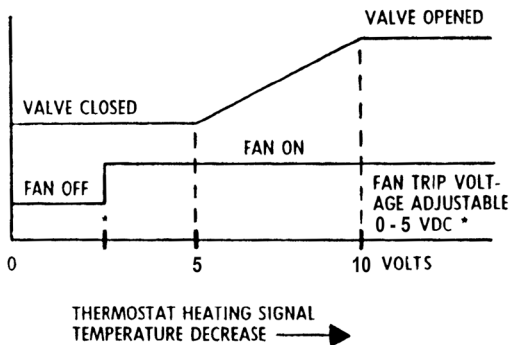
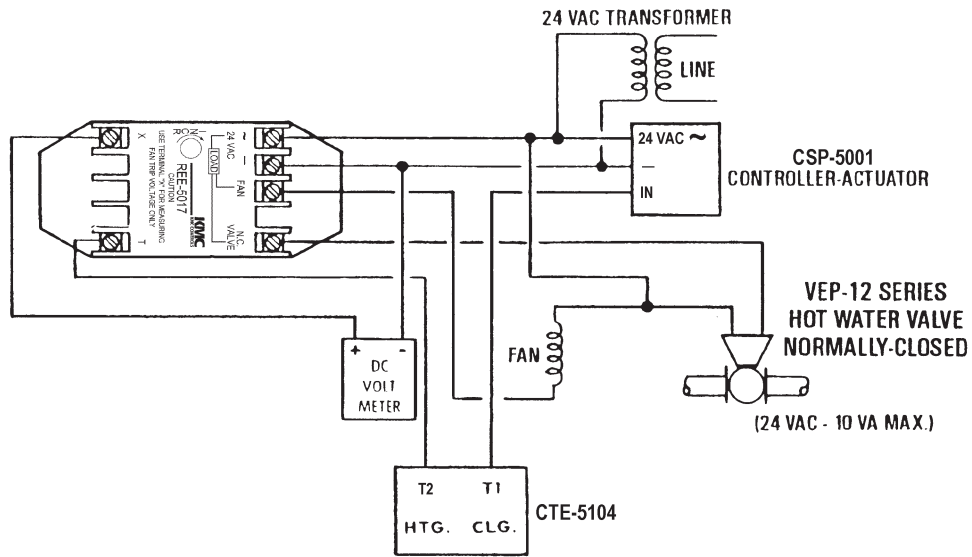
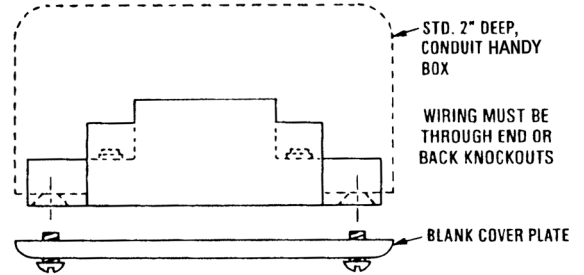
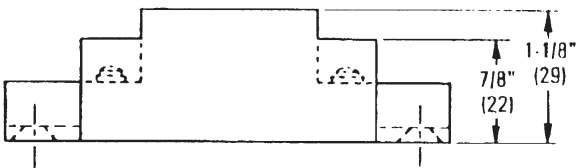
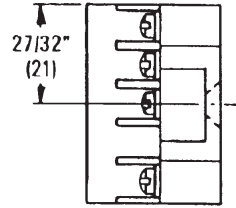
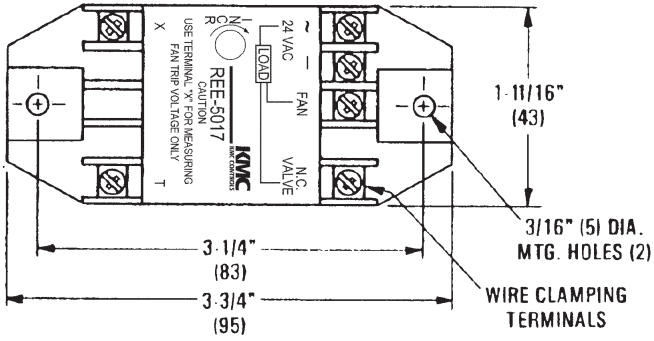
- ◆ Fan output is capable of handling contactors up to 10 VA @ 24 VAC; adjustable to start the unit fan on requirement for heat prior to the valve opening
- ◆ Valve output provides a 24 VAC output for time-proportional control of NC VEP series valves, with percent on-time in direct proportion to the thermostat signal
- ◆ Provides full adjustment of the unit fan starting point to optimize use of warm plenum air

Specifications

Supply Voltage	24 VAC, +20%/-15% @ 1 VA, plus output loads
Input Signal	0 to 10 VDC
Output Capacity	10 VA max. @ 24 VAC
Fan Setpoint	0 to 5 VDC, adjustable
Associated Valves	
VEP-12/22	2-way
VEP-34/37	3-way
Connections	Plated screw terminals
Wire Size	14 to 22 AWG, stranded
Material	Beige flame-retardant plastic
Weight	2 oz. (57 grams)
Approvals	SASO PCP Registration KSA R-103263
Temperature Limits	
Operating	40 to 120° F (4 to 49° C)
Shipping	-40 to 140° F (-40 to 60° C)

Details

All dimension are in inches (mm)



KMC Controls, Inc.
 19476 Industrial Drive, New Paris, IN 46553
 574.831.5250
www.kmcccontrols.com; info@kmcccontrols.com