

# TZ100-LX

TZ Room Sensor

Installation Guide



## Description

- Backlight LCD display
- Icon driven information
- Local occupancy override
- Mini USB for access to the BACnet MS/TP network
- Communicates via TZ Comm Bus and a maximum of three can be wired together



## Technical specifications

<b>Power supply</b>	24 Vac/Vdc $\pm 15\%$ ; Class 2
<b>Power consumption</b>	1 VA
<b>Setpoint range</b>	59°F to 82°F [15°C to 27.7°C]
<b>Control accuracy</b>	Temperature: $\pm 0.4^\circ\text{F}$ [ $\pm 0.2^\circ\text{C}$ ]
<b>Electrical connection</b>	0.8 mm <sup>2</sup> [18-24 AWG accepted; 18 AWG recommended]
<b>Operating temperature</b>	32°F to 122°F [0°C to 50°C]
<b>Storage temperature</b>	-22°F to 122°F [-30°C to 50°C]
<b>Relative humidity</b>	10 to 90 RH% non-condensing
<b>Housing protection level</b>	IP 30 pour [EN 60529]
<b>Weight</b>	0.24lb

## Dimensions

	Dimensions	Inches	Metric (mm)
	<b>A</b>	2.85	73
<b>B</b>	4.85	123	
<b>C</b>	1.00	24	
<b>D</b>	2.36	60	
<b>E</b>	3.27	83	

## Presentation

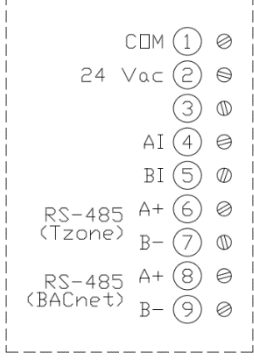
**Symbols on display**

	<b>Cooling ON</b> 33, 66, 100% output A: Automatic		<b>Communication Status</b>		<b>Morning</b>
	<b>Heating</b> 33, 66, 100% output A: Automatic		<b>Menu set-up Lock</b>		<b>Day</b>
	<b>Humidify/Dehumidify</b> 33, 66, 100% output A: Automatic		<b>Programming mode (Technician setting)</b>		<b>Evening</b>
	<b>Fan ON</b> 3 speed activated A: Automatic		<b>Alarm Status</b>		<b>Night</b>
<b>°C or °F</b>	<b>°C: Celsius scale</b> <b>°F: Fahrenheit scale</b>	<b>%RH</b>	<b>Percentage of humidity</b>	<b>AM PM</b>	<b>Morning</b> <b>Afternoon</b>
			<b>MO TU WE TH FR SA SU</b>		<b>Day of the week</b>

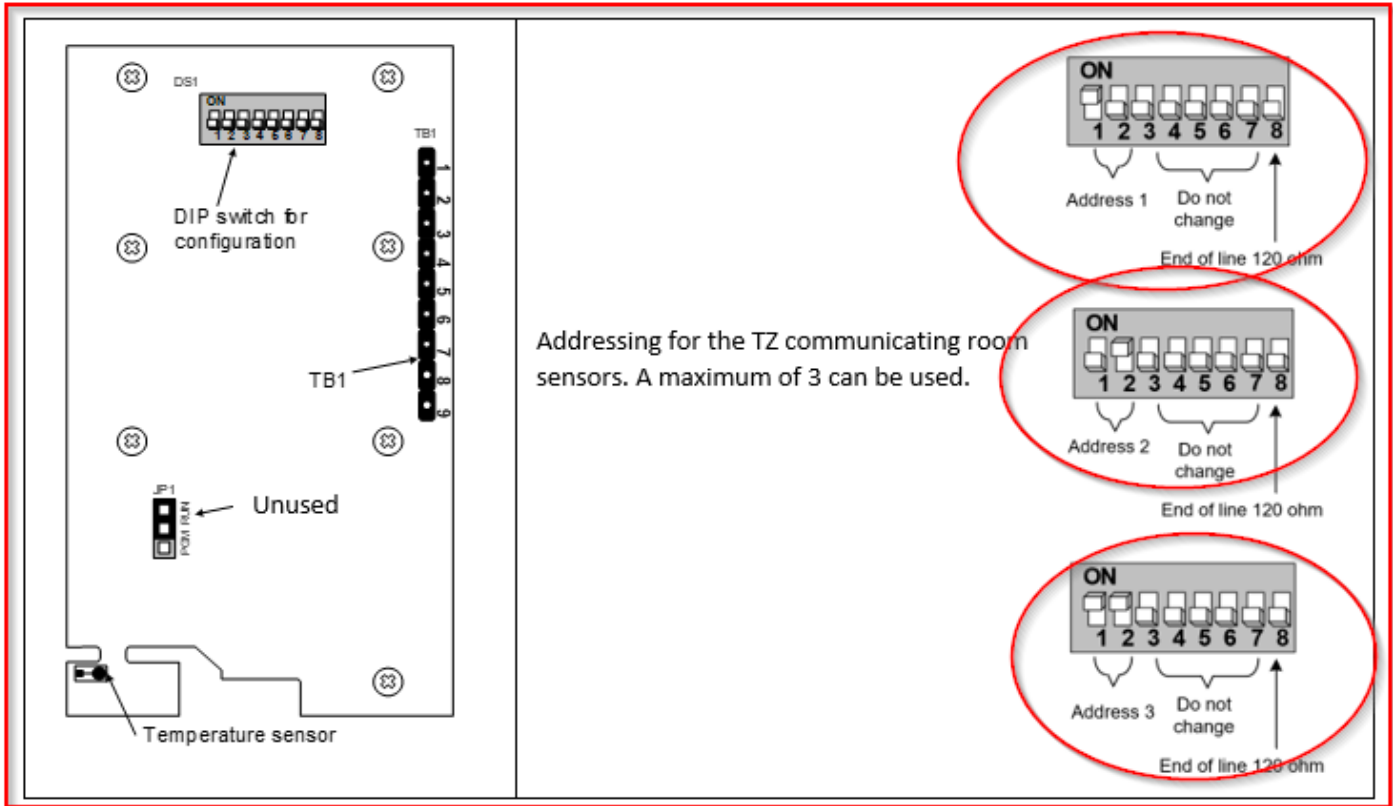
## Mounting Instructions

- Remove the screw (captive) holding the base and the front cover of the sensor.
- Lift the front cover of the sensor to separate it from the base.
- Pull wire through the base hole.
- Secure the base to the wall using wall anchors and screws (supplied). Make the appropriate connections.
- Mount the control module on the base and secure using the screw.

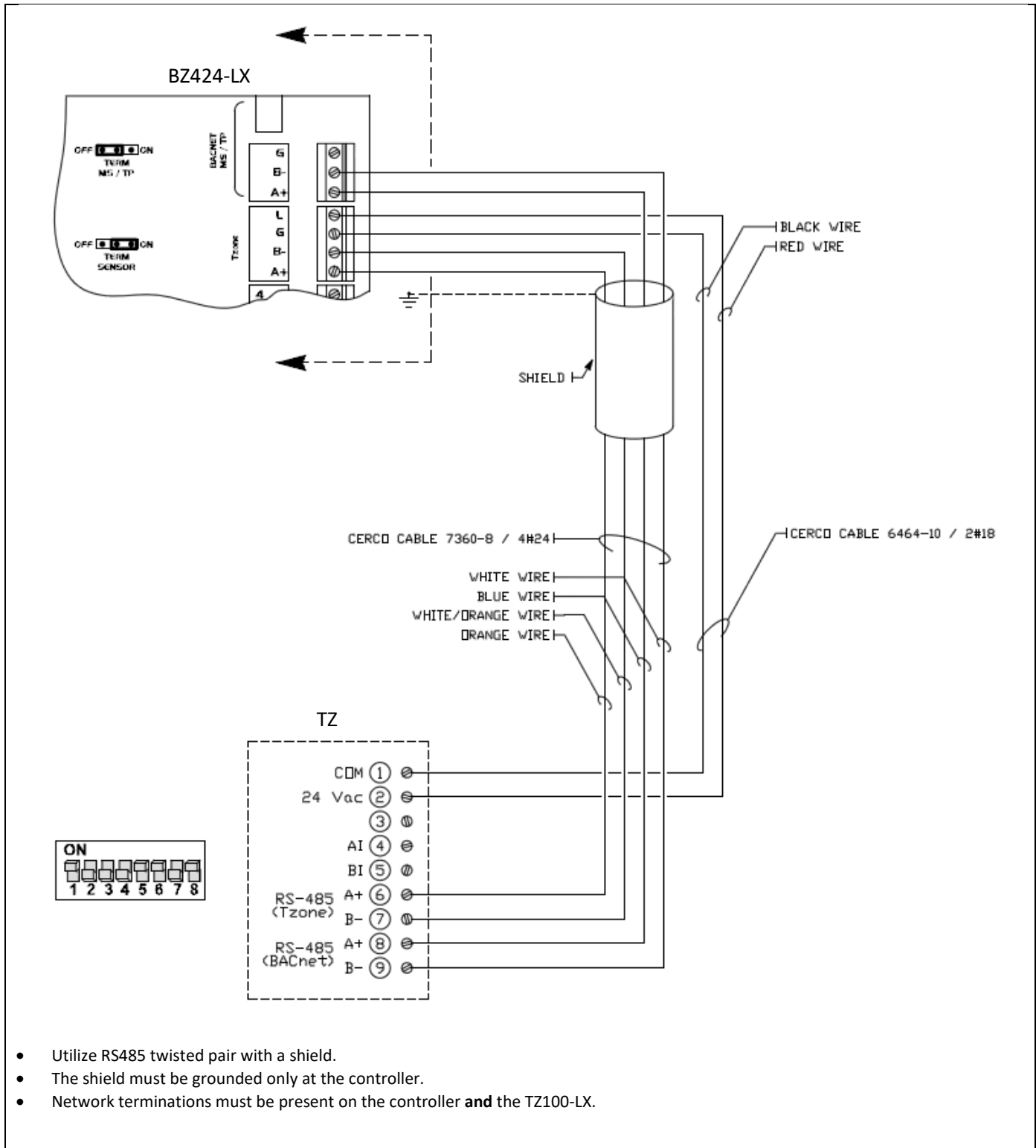
## Terminal Description

	Terminal		TZ100-LX	
	TB1	1	Common	
		2	24 Vac	
		3	Unused	
		4	Unused	
		5	Unused	
		6	A+	Communication RS-485 (TZ BUS)
		7	B-	
		8	MS/TP+	Communication port (BACnet MS/TP)
		9	MS/TP-	

## Settings on PC Board



TZ100-LX and BZ VAV network diagram (1 TZ100-LX)



- Utilize RS485 twisted pair with a shield.
- The shield must be grounded only at the controller.
- Network terminations must be present on the controller **and** the TZ100-LX.

