

TAC

**Maintenance
Parts**

MAINTENANCE PARTS

SECTION INDEX

The following index contains two columns of part numbers. Locate the part number requiring maintenance in the first column. The second indicates the current kit or assembly part number which should be used to maintain those items requiring maintenance.

Part Number Requiring Maintenance	Part Number Containing Required Maintenance Parts	Description	Page
AD-8802-101	AD-8802-101	Econostat Heating Controls, Electronic	447
AD-8802-102	AD-8802-102	Econostat Heating Controls, Electronic	447
AD8969-203	AD-8969-203	Resistor Kit	447
AE-629	AE-629	Cabinet, Control.....	448
AE-630	AE-630	Cabinet, Control.....	448
AE-631	AE-631	Cabinet, Control.....	448
AE-632	AE-632	Cabinet, Control.....	448
AE-622-501	AE-622-501	Cabinet Control.....	448
AE-662-502	AE-662-502	Cabinet, Control.....	448
AE-662-503	AE-662-503	Cabinet, Control.....	448
AL-99	AL-99	Valve, Solenoid Air.....	448
AL-100	AL-100	Valve, Solenoid Air.....	448
AL-109	AL-109	Valve, Solenoid Air.....	448
AL-110	AL-110	Valve, Solenoid Air.....	448
AL-120	AL-120	Valve, Solenoid Air.....	448
AL-125	AL-125	Valve, Solenoid Air.....	448
AL-130	AL-130	Valve, Solenoid Air.....	448
AL-140	AL-140	Valve, Solenoid Air.....	448
AL-161-4	AL-161-4	Valve, Three-Way Air Switching.....	448
AL-170	AL-170	Valve, Solenoid Air.....	448
AL-171	AL-171	Valve, Solenoid Air.....	448
AL-180	AL-180	Valve, Solenoid Air.....	448
AL-181	AL-181	Valve, Solenoid Air.....	448
AL-182	AL-182	Valve, Solenoid Air.....	448
AL-183	AL-183	Valve, Solenoid Air.....	448
AL-185	AL-185	Valve, Solenoid Air.....	448
AM-363	AM-363	Gasket, Weather Resistant.....	449
AM-602	AM-602	Linkage Adapter, Hydraulic Actuator	449
AM-603	AM-603	Linkage Adapter, Hydraulic Actuator	449
AV-21	AV-21	Linkage, Electric Gear Train Actuator	450
AV-27	AV-27	Linkage, Electric Gear Train Actuator.....	450
AV-29	AV-29	Linkage, Electric Gear Train Actuator.....	450
AV-30	AV-30	Linkage, Electric Gear Train Actuator.....	450
AV-91	AV-91	Linkage, Electric Gear Train Actuator.....	450
AV-92	AV-92	Linkage, Electric Gear Train Actuator.....	450
AV-93	AV-93	Linkage, Electric Gear Train Actuator.....	450
AV-94	AV-94	Linkage, Electric Gear Train Actuator.....	450
AV-300	AV-300	Linkage, Electric Gear Train Actuator.....	450
AV-329	AV-329	Linkage, Electric Gear Train Actuator.....	450
AV-330	AV-330	Linkage, Electric Gear Train Actuator.....	450
AV-352	AV-352	Linkage, Electric Gear Train Actuator.....	450
AV-390	AV-390	Linkage, Electric Gear Train Actuator.....	450
AV-391	AV-391	Linkage, Electric Gear Train Actuator.....	450
AV-392	AV-392	Linkage, Electric Gear Train Actuator.....	450
AV-393	AV-393	Linkage, Electric Gear Train Actuator.....	450
AV-394	AV-394	Linkage, Electric Gear Train Actuator.....	450
AV-395	AV-395	Linkage, Electric Gear Train Actuator.....	450
AV-396	AV-396	Linkage, Electric Gear Train Actuator.....	450
AV-400	AV-400	Linkage, Pneumatic Actuator Valve	450

Continued on next page

The following index contains two columns of part numbers. Locate the part number requiring maintenance in the first column. The second indicates the current kit or assembly part number which should be used to maintain those items requiring maintenance.

Part Number Requiring Maintenance	Part Number Containing Required Maintenance Parts	Description	Page
AV-401	AV-401	Linkage, Pneumatic Actuator Valve	450
AV-420	AV-420	Linkage, Pneumatic Actuator Valve	451
AV-430-0-0-1	AV-430-0-0-1	Linkage, Pneu. & Hydraulic Actuator Valve	451
AV-600	AV-600	Linkage, Round Hydraulic Actuator Valve.....	451
AV-601	AV-601	Linkage, Round Hydraulic Actuator Valve.....	451
AV-650	AV-650	Linkage, Electric Gear Train Actuator.....	451
CP-8161-333	CP-8161-333	Controller, Six-Stage Electronic Programmable	452
CYBC-372	VB-202 Series	Valves, Two-Way	490
CYBC-374	VB-202 Series	Valves, Two-Way	490
CYBC-375	VB-202 Series	Valves, Two-Way	490
CYBC-406	VB-202Series	Valves, Two-Way	490
CYBC-408	VB-202Series	Valves, Two-Way	490
CYBC-409	VB-202Series	Valves, Two-Way	490
DYBB-121	VB-804 Series	Valves, Mixing 1/2" thru 6" Bodies	495
DYBB-123	VB-804 Series	Valves, Mixing 1/2" thru 6" Bodies	495
DYBB-140	VB-804 Series	Valves, Mixing 1/2" thru 6" Bodies	495
DYBB-142	VB-804 Series	Valves, Mixing 1/2" thru 6" Bodies	495
DYBB-208	VB-131-1-4-X	Valves, Inverted Flared	489
DYBB-209	VB-131-1-4-X	Valves, Inverted Flared	489
DYBB-268	VB-131-1-4-X	Valves, Inverted Flared	489
DYBB-275	VB-252 Series	Valves, Two-Way N.C. 3/4" thru 4".....	491
DYBB-282	VB-131-1-4-X	Valves, Inverted Flared	489
DYBB-293	VB-334 Series	Valves, SAE Flared Sequencing.....	494
DYBB-294	VB-324 Series	Valves, SAE Flared Mixing.....	493
DYBB-295	VB-324 Series	Valves, SAE Flared Mixing.....	493
DYBB-296	VB-334 Series	Valves, SAE Flared Sequencing	494
DYBB-297	VB-324 Series	Valves, SAE Flared Mixing.....	493
DYBB-298	VB-324 Series	Valves, SAE Flared Mixing.....	493
DYBB-299	VB-324 Series	Valves, SAE Flared Mixing.....	493
DYBB-300	VB-324 Series	Valves, SAE Flared Mixing.....	493
DYBB-301	VB-324 Series	Valves, SAE Flared Mixing.....	493
DYBB-302	VB-314 Series	Valves, Globe Screwed Mixing	493
DYBB-303	VB-314 Series	Valves, Globe Screwed Mixing	493
DYBB-304	VB-354 Series	Valves, Inverted Flared Mixing.....	494
DYBB-305	VB-354 Series	Valves, Inverted Flared Mixing.....	494
DYBB-306	VB-131-2-3	Valves, Inverted Flared	489
DYBB-307	VB-131-2-3	Valves, Inverted Flared	489
DYBB-308	VB-131-1-3	Valves, Inverted Flared	489
DYBB-309	VB-131-1-3	Valves, Inverted Flared	489
DYBB-310	VB-131-2-4	Valves, Inverted Flared	489
DYBB-311	VB-131-2-4	Valves, Inverted Flared	489
DYBB-313	VB-354 Series	Valves, Inverted Flared Mixing.....	494
DYBB-314	VB-354 Series	Valves, Inverted Flared Mixing.....	494
DYBB-315	VB-354 Series	Valves, Inverted Flared Mixing.....	494
DYBB-316	VB-314 Series	Valves, Globe Screwed Mixing	493
DYBB-317	VB-314 Series	Valves, Globe Screwed Mixing	493
DYBB-318	VB-314 Series	Valves, Globe Screwed Mixing	493
H18	H18	Cover, Humidistat Replacement	452
H53	H53	Cover, Humidity Transmitter Replacement	452
M556 Series	M556 Series	Actuator, Pneumatic Damper.....	453
M573 Series	M573 Series	Actuator, Pneumatic Damper.....	453

Continued on next page

The following index contains two columns of part numbers. Locate the part number requiring maintenance in the first column. The second indicates the current kit or assembly part number which should be used to maintain those items requiring maintenance.

Part Number Requiring Maintenance	Part Number Containing Required Maintenance Parts	Description	Page
M574 Series	M574 Series	Actuator, Pneumatic Damper	453
M693 Series	M693 Series	Actuator, Pneumatic Damper	454
MA-305	MA-305	Actuator, Two-Position Oil Submerged	455
MA-305-0-0-1	MA-305-0-0-1	Actuator, Two-Position Oil Submerged	455
MA-305-0-0-2	MA-305-0-0-2	Actuator, Two-Position Oil Submerged	455
MA-308	MA-308	Actuator, Two-Position Oil Submerged	455
MA-308-0-0-1	MA-308-0-0-1	Actuator, Two-Position Oil Submerged	455
MA-308-0-0-2	MA-308-0-0-2	Actuator, Two-Position Oil Submerged	455
MA-318	MA-318	Actuator, Two-Position Oil Submerged	455
MA-318-0-0-2	MA-318-0-0-2	Actuator, Two-Position Oil Submerged	455
MA-405	MA-405	Actuator, Two-Position Oil Submerged	455
MA-405-0-0-1	MA-405-0-0-1	Actuator, Two-Position Oil Submerged	455
MA-405-0-0-2	MA-405-0-0-2	Actuator, Two-Position Oil Submerged	455
MA-406	MA-406	Actuator, Two-Position Oil Submerged	455
MA-406-0-0-1	MA-406-0-0-1	Actuator, Two-Position Oil Submerged	455
MA-406-0-0-2	MA-406-0-0-2	Actuator, Two-Position Oil Submerged	455
MA-407	MA-407	Actuator, Two-Position Oil Submerged	455
MA-407-0-0-1	MA-407-0-0-1	Actuator, Two-Position Oil Submerged	455
MA-407-0-0-2	MA-407-0-0-2	Actuator, Two-Position Oil Submerged	455
MA-408	MA-408	Actuator, Two-Position Oil Submerged	455
MA-408-0-0-2	MA-408-0-0-2	Actuator, Two-Position Oil Submerged	455
MA-409	MA-409	Actuator, Two-Position Oil Submerged	455
MA-409-0-0-2	MA-409-0-0-2	Actuator, Two-Position Oil Submerged	455
MA-418	MA-418	Actuator, Two-Position Oil Submerged	455
MA-418-0-0-2	MA-418-0-0-2	Actuator, Two-Position Oil Submerged	455
MA-419	MA-419	Actuator, Two-Position Oil Submerged	455
MA-419-0-0-2	MA-419-0-0-2	Actuator, Two-Position Oil Submerged	455
MA-5210 Series	MA-5210 Series	Actuator, Two-Position	456
MA-5330 Series	MA-5330 Series	Actuator, Two-Position	456
MA-12323-102	MA-12323-102	Wiring Harness	456
MC-300 Series	MC-300 Series	Actuator, Three-Wire Two-Position	456
MC-400 Series	MC-400 Series	Actuator, Three-Wire Two-Position	456
MC-4000 Series	MC-4000 Series	Actuator, Three-Wire Two-Position	456
MC-9610	MC-9610	Actuator, High Torque Oil Submerged	457
MC-9810	MC-9810	Actuator, High Torque Oil Submerged	457
ME-12323-102	ME-12323-102	Wiring Harness	457
MK-2400	MK-2400	Actuator, Pneumatic Damper	457
MK-2410	MK-2410	Actuator, Pneumatic Damper	457
MK-2420	MK-2420	Actuator, Pneumatic Damper	457
MK-2690	MK-2690	Actuator, Pneumatic Valve	457
MK-3100 Series	MK-3100 Series	Actuator, Pneumatic Damper	458
MK-3200 Series	MK-3200 Series	Actuator, Pneumatic Damper	458
MK-3300 Series	MK-3300 Series	Actuator, Pneumatic Damper	458
MK-3800 Series	MK-3800 Series	Actuator, Pneumatic Damper	458
MK-4400 Series	MK-4400 Series	Actuator, Pneumatic Damper	459
MK-4600 Series	MK-4600 Series	Actuator, Pneumatic Valve	460
MK-4700 Series	MK-4700 Series	Actuator, Pneumatic Valve	460
MK-4800 Series	MK-4800 Series	Actuator, Pneumatic Valve	460
MK-6000 Series	MK-6000 Series	Actuator, Pneumatic Valve	461
MK-7000 Series	MK-7000 Series	Actuator, Pneumatic Damper	462
MK-8800 Series	MK-8800 Series	Actuator, Pneumatic Valve	462

Continued on next page

The following index contains two columns of part numbers. Locate the part number requiring maintenance in the first column. The second indicates the current kit or assembly part number which should be used to maintain those items requiring maintenance.

Part Number Requiring Maintenance	Part Number Containing Required Maintenance Parts	Description	Page
MK-8900 Series	MK-8900 Series	Actuator, Pneumatic Valve	462
MP-300 Series	MP-300 Series	Actuator, Proportional Electric	463
MP-400 Series	MP-400 Series	Actuator, Proportional Electric	463
MP-500	MP-500	Actuator, Proportional Hydraulic for Dampers	464
MP-2XXX-0-0-1	MP-2XXX-0-0-1	Actuator, Electric.....	465
MP-2XXX-0-2-1	MP-2XXX-0-2-1	Actuator, Electric.....	465
MP-2XXX-500-0-1	MP-2XXX-500-0-1	Actuator, Electric.....	465
MP-2XXX-500-2-1	MP-2XXX-500-2-1	Actuator, Electric.....	465
MP-2XXX-60X-0-1	MP-2XXX-60X-0-1	Actuator, Electric.....	465
MP-4000 Series	MP-4000 Series	Actuator, Reversible Electric	463
MP-5210 Series	MP-5210 Series	Actuator, Proportional	456
MP-5230 Series	MP-5230 Series	Actuator, Proportional	456
MP-5410 Series	MP-5410 Series	Actuator, Proportional	456
MP-5430 Series	MP-5430 Series	Actuator, Proportional	456
MP-9700	MP-9700	Actuator, High Torque Oil Submerged	457
MP-9710	MP-9710	Actuator, High Torque Oil Submerged	457
MP-9713	MP-9713	Actuator, High Torque Oil Submerged	457
MP-9730	MP-9730	Actuator, High Torque Oil Submerged	457
MP-9750	MP-9750	Actuator, High Torque Oil Submerged	457
MP-9810	MP-9810	Actuator, High Torque Oil Submerged	457
MP-9830	MP-9830	Actuator, High Torque Oil Submerged	457
MPR-5XXX Series	MPR-5XXX Series	Actuator, Proportional	456
MU-477-XXX	MU-477-XXX	Actuator, Proportional Combination	466
MU-478-XXX	MU-478-XXX	Actuator, Proportional Combination	466
MU-479-XXX	MU-479-XXX	Actuator, Proportional Combination	466
MU-500	MU-500	Actuator, Electronic Unit Ventilator Valve	464
MU-2270	MU-2270	Actuator, Damper Proportional Electronic.....	467
MU-2271	MU-2271	Actuator, Damper Proportional Electronic.....	467
MU-2273	MU-2273	Actuator, Damper Proportional Electronic.....	467
MU-5000	MU-5000	Actuator, Rectangular Hydraulic	464
MU-21302	MU-21302	Actuator, Combination Prop. Temperature.....	468
MU-4080X-208-6-XX	MU-4080X-208-6-XX	Actuator, Electronic Unit Ventilator	469
MU-46104	MU-46104	Actuator, Combination Prop. Temperature.....	468
MU-46105	MU-46105	Actuator, Combination Prop. Temperature.....	468
MU-47102	MU-47102	Actuator, Combination Prop. Temperature.....	468
MU-47302	MU-47302	Actuator, Combination Prop. Temperature.....	468
MU-47312	MU-47312	Actuator, Combination Prop. Temperature.....	468
MU-4770X-000-6-XX	MU-4770X-000-6-XX	Actuator, Electronic Unit Ventilator	469
MU-4770X-213-6-XX	MU-4770X-213-6-XX	Actuator, Electronic Unit Ventilator	469
MU-477XX-XXX-3-XX	MU-477XX-XXX-3-XX	Actuator, Proportional Combination	466
MU-477XX-XXX-4-XX	MU-477XX-XXX-4-XX	Actuator, Proportional Combination	466
MU-4790X-XXX-6-XX	MU-4790X-XXX-6-XX	Actuator, Electronic Unit Ventilator	469
MU-479XX-XXX-3-XX	MU-479XX-XXX-3-XX	Actuator, Proportional Combination	466
MU-479XX-XXX-4-XX	MU-479XX-XXX-4-XX	Actuator, Proportional Combination	466
MU-4X8XX-XXX-3-XX	MU-4X8XX-XXX-3-XX	Actuator, Proportional Combination	466
MU-4X8XX-XXX-4-XX	MU-4X8XX-XXX-4-XX	Actuator, Proportional Combination	466
MU-48102	MU-48102	Actuator, Combination Prop. Temperature.....	468
MU-48103	MU-48103	Actuator, Combination Prop. Temperature.....	468
MU-48104	MU-48104	Actuator, Combination Prop. Temperature.....	468
MU-48105	MU-48105	Actuator, Combination Prop. Temperature.....	468
MU-48302	MU-48302	Actuator, Combination Prop. Temperature.....	468

MAINTENANCE PARTS

Continued on next page

The following index contains two columns of part numbers. Locate the part number requiring maintenance in the first column. The second indicates the current kit or assembly part number which should be used to maintain those items requiring maintenance.

Part Number Requiring Maintenance	Part Number Containing Required Maintenance Parts	Description	Page
MUP-48101	MUP-48101	Actuator, Combination Pressure Control	470
MUP-48102	MUP-48102	Actuator, Combination Pressure Control	470
MUP-48103	MUP-48103	Actuator, Combination Pressure Control	470
MUP-48104	MUP-48104	Actuator, Combination Pressure Control	470
MUP-48105	MUP-48105	Actuator, Combination Pressure Control	470
MUP-48106	MUP-48106	Actuator, Combination Pressure Control	470
MUP-48202	MUP-48202	Actuator, Combination Pressure Control	470
MUP-48203	MUP-48203	Actuator, Combination Pressure Control	470
MUP-48204	MUP-48204	Actuator, Combination Pressure Control	470
OYBB-109	VB-202 Series	Valves, Two-Way	490
OYBB-110	VB-202 Series	Valves, Two-Way	490
OYBB-113	VB-212 Series	Valves, Two-Way S/S Trim.....	491
OYBB-114	VB-212 Series	Valves, Two-Way S/S Trim.....	491
OYBB-115	VB-202 Series	Valves, Two-Way	490
OYBB-116	VB-202 Series	Valves, Two-Way	490
OYBB-119	VB-212 Series	Valves, Two-Way S/S Trim.....	491
OYBB-120	VB-212 Series	Valves, Two-Way S/S Trim.....	491
OYBB-223	OYBB-233 Series	Valves, N.C. Globe Screwed.....	472
OYBB-242	OYBB-233 Series	Valves, N.C. Globe Screwed.....	472
OYBB-257	OYBB-233 Series	Valves, N.C. Globe Screwed.....	472
OYBB-258	OYBB-233 Series	Valves, N.C. Globe Screwed.....	472
OYBB-259	OYBB-233 Series	Valves, N.C. Globe Screwed.....	472
OYBB-276	VB-260-0-1-X	Valves, N.O. Screwed End Two-Way S/S Trim	492
OYBB-309	VB-262-1-X	Valves, N.O. Screwed End Two-Way S/S Trim	492
R527 Series	R527 Series	Relay, E-P Diverting.....	472
RKS-1001	RKS-1001	Receiver-Controller, Pneumatic	473
RKS-2001	RKS-2001	Receiver-Controller, Pneumatic	473
RKS-3002	RKS-3002	Receiver-Controller, Pneumatic	473
RKS-4002	RKS-4002	Receiver-Controller, Pneumatic	473
RKS-5001-0-1	RKS-5001-0-1	Receiver-Controller, Pneumatic	474
RKSR-4000	RKSR-4000	Receiver-Controller, Pneumatic	473
S510	S510	Selector Switch, Pneumatic	475
S511	S511	Selector Switch, Pneumatic	475
S520	S520	Selector Switch, Pneumatic	475
S530	S530	Selector Switch, Pneumatic	475
S540	S540	Selector Switch, Pneumatic	475
SP-4	SP-4	Program Switch, Less Actuator and Linkage	475
SP-6	SP-6	Program Switch, Less Actuator and Linkage	475
SP-10	SP-10	Program Switch, Less Actuator and Linkage	475
SP-20	SP-20	Program Switch, Less Actuator and Linkage	475
SP-30	SP-30	Program Switch, Less Actuator and Linkage	475
SP-40	SP-40	Program Switch, Less Actuator and Linkage	475
SP-10000 Series	SP-10000 Series	Program Switch Assembly, Electric Actuated	475
SP-20000 Series	SP-20000 Series	Program Switch Assembly, Hydraulic Actuated	475
SP-30000 Series	SP-30000 Series	Program Switch Assembly, Pneumatic Actuated	475
SP-40000 Series	SP-40000 Series	Program Switch Assembly, Hydraulic Actuated	475
T1X	T1X	Thermostat.....	476
T2X	T1X	Thermostat.....	476
T3X	T1X	Thermostat.....	476
T460	T460	Unit Temperature Controller.....	476
T461	T461	Unit Temperature Controller.....	476

The following index contains two columns of part numbers. Locate the part number requiring maintenance in the first column. The second indicates the current kit or assembly part number which should be used to maintain those items requiring maintenance.

Part Number Requiring Maintenance	Part Number Containing Required Maintenance Parts	Description	Page
T462	T462	Unit Temperature Controller.....	476
T463	T463	Unit Temperature Controller.....	476
TA-101	TA-101	Contact Covers.....	476
TA-1101	TA-1101	Contact Covers.....	476
TC-1XX	TC-1XX	Contact Covers.....	476
TC-115X	TC-115X	Contact Covers.....	476
TC-116X	TC-116X	Contact Covers.....	476
TK-100X	TK-100X	Thermostat, Pneumatic Room.....	477
TK-1X7X	TK-1X7X	Thermostat, Submaster Room.....	478
TK-110X	TK-110X	Thermostat, Pneumatic Room.....	477
TK-12X1	TK-12X1	Thermostat, Pneumatic Room.....	477
TK-13XX	TK-13XX	Thermostat, Pneumatic Room.....	497
TK-16XX	TK-16XX	Thermostat, Pneumatic Room.....	479
TK-17XX	TK-17XX	Thermostat, Pneumatic Dual Setpoint Room.....	480
TK-18XX	TK-18XX	Thermostat, Pneumatic Zero Energy Band Room.....	480
TK-2XXX	TK-2XXX	Thermostat, Pneumatic Bulb.....	483
TK-3XXX	TK-3XXX	Thermostat, Pneumatic Bulb.....	483
TK-4XXX	TK-4XXX	Thermostat, Pneumatic Bulb.....	483
TK-6024	TK-6024	Thermostat, Pneumatic Bulb.....	484
TK-6124	TK-6124	Thermostat, Pneumatic Bulb.....	484
TK-8024	TK-8024	Thermostat, Pneumatic Bulb.....	484
TK-8124	TK-8124	Thermostat, Pneumatic Bulb.....	484
TK-9X01-0-0-1	TK-9X01-0-0-1	Thermostat, Pneumatic Room, Mullion.....	487
TK-1XXXX	TK-1XXXX	Thermostat Covers.....	487
TK-5XXXX	TK-5XXXX	Thermostat Covers.....	487
TKR-1001	TKR-1001	Thermostat, Pneumatic Room.....	477
TKR-1101	TKR-1101	Thermostat, Pneumatic Room.....	477
TP-1XX	TP-1XX	Contact Covers.....	476
TP-10XX	TP-10XX	Contact Covers.....	476
TP-101XX	TP-101XX	Contact Covers.....	476
TPC-1XXXX	TPC-1XXXX	Contact Covers.....	476
VA-11	VB-111 Series	Valves, Union End.....	488
VA-12	VB-121 Series	Valves, SAE Flared.....	489
VA-20	VB-202Series	Valves, Two-Way.....	490
VA-100	VB-804 Series	Valves, Mixing 1/2" thru 6" Bodies.....	495
VA-101	VB-314 Series	Valves, Globe Screwed Mixing.....	493
VA-1100	VB-111 Series	Valves, Union End.....	488
VA-1102	VB-111 Series	Valves, Union End.....	488
VA-1112	VB-111 Series	Valves, Union End.....	488
VA-1203	VA-1203	Valve, Electric Zone.....	488
VA-1210	VB-121 Series	Valves, SAE Flared.....	489
VA-1212	VB-121 Series	Valves, SAE Flared.....	489
VA-1300	VB-131 Series	Valves, Inverted Flared.....	489
VA-1302	VB-131 Series	Valves, Inverted Flared.....	489
VA-1312	VB-131 Series	Valves, Inverted Flared.....	489
VA-1403	VA-1403	Valve, Electric Zone.....	488
VA-1512	VB-151 Series	Valves, N.C. Globe Screwed.....	490
VA-2001	VB-202 Series	Valves, Two-Way.....	490
VA-2021	VB-202 Series	Valves, Two-Way.....	490
VA-2101	VB-212 Series	Valves, Two-Way S/S Trim.....	491
VA-2121	VB-212 Series	Valves, Two-Way S/S Trim.....	491

Continued on next page

The following index contains two columns of part numbers. Locate the part number requiring maintenance in the first column. The second indicates the current kit or assembly part number which should be used to maintain those items requiring maintenance.

Part Number Requiring Maintenance	Part Number Containing Required Maintenance Parts	Description	Page
VA-2402	OYBB-233 Series	Valves, N.C. Globe Screwed.....	472
VA-3041	VB-804 Series	Valves, Mixing 1/2" thru 6" Bodies	495
VA-3140	VB-314 Series	Valves, Globe Screwed Mixing	493
VA-3142	VB-314 Series	Valves, Globe Screwed Mixing	493
VA-3203	VA-3203	Valve, Electric Zone	488
VA-3240	VB-324 Series	Valves, SAE Flared Mixing.....	493
VA-3242	VB-324 Series	Valves, SAE Flared Mixing.....	493
VA-3403	VA-3403	Valve, Electric Zone	488
VA-3500	VB-354 Series	Valves, Inverted Flared Mixing.....	494
VA-3502	VB-354 Series	Valves, Inverted Flared Mixing.....	494
VA-3542	VB-354 Series	Valves, Inverted Flared Mixing.....	494
VA-8041	VB-804 Series	Valves, Mixing 1/2" thru 6" Bodies	495
VA-8171	VB-817-0-X-X	Valves, 1/2" thru 2" Screwed End Diverting	496
VA-9211	VB-9211 Series	Valves, N.O. Union End	497
VA-9212	VB-9212 Series	Valves, N.O. Flared End	497
VA-9213	VB-9213 Series	Valves, N.O. Screwed or Flanged End	498-499
VA-9214	VB-9214	Valves, N.O. Union Sweat End	500
VA-9221	VB-9221 Series	Valves, N.C. Union End	501
VA-9222	VB-9222 Series	Valves, N.C. Flared End.....	501
VA-9223	VB-9223 Series	Valves, N.C. Screwed or Flanged End.....	502-503
VA-9224	VB-9224	Valves, N.C. Union Sweat End	504
VA-9253	VB-9253 Series	Valves, N.O. Screwed End Two-Way S/S Trim	505
VA-9263	VB-9263 Series	Valves, N.C. Screwed End Two-Way S/S Trim	506
VA-9273	VB-9273 Series	Valves, N.O. Screwed End Two-Way S/S Trim	507
VA-9283	VB-9283 Series	Valves, N.C. Screwed End Two-Way S/S Trim	508
VA-9312	VB-9312 Series	Valves, Flared End Mixing	509
VA-9313	VB-9313 Series	Valves, Screwed or Flanged End Mixing	509-510
VA-9314	VB-9314	Valves, Mixing 1/2" thru 2" Union Sweat End.....	511
VA-9323	VB-9323 Series	Valves, Screwed or Flanged End Diverting.....	512-513
VB-111 Series	VB-111 Series	Valves, Union End.....	488
VB-121 Series	VB-121 Series	Valves, SAE Flared	489
VB-131 Series	VB-131 Series	Valves, Inverted Flared	489
VB-151 Series	VB-151 Series	Valves, N.C. Globe Screwed.....	490
VB-202 Series	VB-202 Series	Valves, Two-Way	490
VB-212 Series	VB-212 Series	Valves, Two-Way S/S Trim.....	491
VB-252 Series	VB-252 Series	Valves, Two-Way N.C. 3/4" thru 4".....	491
VB-260-0-1-X	VB-260-0-1-X	Valves, N.O. Screwed End Two-Way S/S Trim	492
VB-262-0-1-X	VB-262-0-1-X	Valves, N.O. Screwed End Two-Way S/S Trim	492
VB-314 Series	VB-314 Series	Valves, Globe Screwed Mixing	493
VB-324 Series	VB-324 Series	Valves, SAE Flared Mixing.....	493
VB-334 Series	VB-334 Series	Valves, SAE Flared Sequencing	494
VB-354 Series	VB-354 Series	Valves, Inverted Flared Mixing.....	494
VB-804 Series	VB-804 Series	Valves, Mixing 1/2" thru 6" Bodies	495
VB-817-0-X-X	VB-817-0-X-X	Valves, 1/2" thru 2" Screwed End Diverting	496
VB-9211 Series	VB-9211 Series	Valves, N.O. Union End	497
VB-9212 Series	VB-9212 Series	Valves, N.O. Flared End	497
VB-9213 Series	VB-9213 Series	Valves, N.O. 1/2" thru 2" Screwed End	498
VB-9213 Series	VB-9213 Series	Valves, N.O. 2-1/2" thru 6" Flanged End.....	499
VB-9214 Series	VB-9214 Series	Valves, Mixing 1/2" thru 2" Union Sweat End.....	500
VB-9221 Series	VB-9221 Series	Valves, N.C. Union End	501
VB-9222 Series	VB-9222 Series	Valves, N.C. Flared End.....	501

Continued on next page

The following index contains two columns of part numbers. Locate the part number requiring maintenance in the first column. The second indicates the current kit or assembly part number which should be used to maintain those items requiring maintenance.

Part Number Requiring Maintenance	Part Number Containing Required Maintenance Parts	Description	Page
VB-9223 Series	VB-9223 Series	Valves, N.C. 1/2" thru 2" Screwed End	502
VB-9223 Series	VB-9223 Series	Valves, N.C. 2-1/2" thru 6" Flanged End	503
VB-9224 Series	VB-9224 Series	Valves, Mixing 1/2" thru 2" Union Sweat End	504
VB-9253 Series	VB-9253 Series	Valves, N.O. Screwed End Two-Way S/S Trim	505
VB-9263 Series	VB-9263 Series	Valves, N.C. Screwed End Two-Way S/S Trim	506
VB-9273 Series	VB-9273 Series	Valves, N.O. Screwed End Two-Way S/S Trim	507
VB-9283 Series	VB-9283 Series	Valves, N.C. Screwed End Two-Way S/S Trim	508
VB-9312 Series	VB-9312 Series	Valves, Flared End Mixing	509
VB-9313 Series	VB-9313 Series	Valves, 1/2" thru 2" Screwed End Mixing	509
VB-9313 Series	VB-9313 Series	Valves, 2-1/2" thru 6" Flanged End Mixing	510
VB-9314 Series	VB-9314 Series	Valves, Mixing 1/2" thru 2" Union Sweat End	511
VB-9323 Series	VB-9323 Series	Valves, Screwed End Diverting	512
VB-9323-0-5-X Series	VB-9323-0-5-X Series	Valves, Diverting 2-1/2" thru 6" Globe Flanged	513
VB-9332 Series	VB-9332 Series	Valves, Flared End Sequencing	513
VC-20 Series	VB-202 Series	Valves, Two-Way	490
VC-21 Series	VB-212 Series	Valves, Two-Way S/S Trim	491
VC-100	VB-804 Series	Valves, Mixing 1/2" thru 6" Bodies	495
VC-2004	VB-202 Series	Valves, Two-Way	490
VC-2005	VB-202 Series	Valves, Two-Way	490
VC-2006	VB-202 Series	Valves, Two-Way	490
VC-2007	VB-202 Series	Valves, Two-Way	490
VC-2024	VB-202 Series	Valves, Two-Way	490
VC-2104	VB-212 Series	Valves, Two-Way S/S Trim	491
VC-2106	VB-212 Series	Valves, Two-Way S/S Trim	491
VC-2107	VB-212 Series	Valves, Two-Way S/S Trim	491
VC-2124	VB-212 Series	Valves, Two-Way S/S Trim	491
VC-2304	VB-260-0-1-X	Valves, N.O. Screwed End Two-Way S/S Trim	492
VC-2307	VB-260-0-1-X	Valves, N.O. Screwed End Two-Way S/S Trim	492
VC-2604	VB-260-0-1-X	Valves, N.O. Screwed End Two-Way S/S Trim	492
VC-3044	VB-804 Series	Valves, Mixing 1/2" thru 6" Bodies	495
VC-3047	VB-804 Series	Valves, Mixing 1/2" thru 6" Bodies	495
VC-8044	VB-804 Series	Valves, Mixing 1/2" thru 6" Bodies	495
VC-8174	VB-817-0-X-X	Valves, 1/2" thru 2" Screwed End Diverting	496
VC-9213	VB-9213 Series	Valves, N.O. Screwed or Flanged End	498-499
VC-9214	VB-9214	Valves, N.O. Union Sweat End	500
VC-9223	VB-9223 Series	Valves, N.C. Screwed or Flanged End	502-503
VC-9253	VB-9253 Series	Valves, N.O. Screwed End Two-Way S/S Trim	505
VC-9273	VB-9273 Series	Valves, N.O. Screwed End Two-Way S/S Trim	507
VC-9313	VB-9313 Series	Valves, Screwed or Flanged End Mixing	509-510
VC-9314	VB-9314	Valves, Mixing 1/2" thru 2" Union Sweat End	511
VC-9323	VB-9323 Series	Valves, Screwed or Flanged End Diverting	512-513
VK-1114	VB-111 Series	Valves, Union End	488
VK-1115	VB-111 Series	Valves, Union End	488
VK-1214	VB-121 Series	Valves, SAE Flared	489
VK-1215	VB-121 Series	Valves, SAE Flared	489
VK-1314	VB-131 Series	Valves, Inverted Flared	489
VK-1315	VB-131 Series	Valves, Inverted Flared	489
VK-1514	VB-151 Series	Valves, N.C. Globe Screwed	490
VK-1515	VB-151 Series	Valves, N.C. Globe Screwed	490
VK-2025	VB-202 Series	Valves, Two-Way	490
VK-2027	VB-202 Series	Valves, Two-Way	490

MAINTENANCE PARTS

Continued on next page

The following index contains two columns of part numbers. Locate the part number requiring maintenance in the first column. The second indicates the current kit or assembly part number which should be used to maintain those items requiring maintenance.

Part Number Requiring Maintenance	Part Number Containing Required Maintenance Parts	Description	Page
VK-2125	VB-212 Series	Valves, Two-Way S/S Trim.....	491
VK-2127	VB-212 Series	Valves, Two-Way S/S Trim.....	491
VK-2454	OYBB-233 Series	Valves, N.C. Globe Screwed.....	472
VK-2455	OYBB-233 Series	Valves, N.C. Globe Screwed.....	472
VK-2525	VB-252 Series	Valves, Two-Way N.C. 3/4" thru 4".....	491
VK-2527	VB-252 Series	Valves, Two-Way N.C. 3/4" thru 4".....	491
VK-3045	VB-804 Series	Valves, Mixing 1/2" thru 6" Bodies.....	495
VK-3047	VB-804 Series	Valves, Mixing 1/2" thru 6" Bodies.....	495
VK-3144	VB-314 Series	Valves, Globe Screwed Mixing.....	493
VK-3145	VB-314 Series	Valves, Globe Screwed Mixing.....	493
VK-3244	VB-324 Series	Valves, SAE Flared Mixing.....	493
VK-3245	VB-324 Series	Valves, SAE Flared Mixing.....	493
VK-3344	VB-334 Series	Valves, SAE Flared Sequencing.....	494
VK-3345	VB-334 Series	Valves, SAE Flared Sequencing.....	494
VK-3544	VB-354 Series	Valves, Inverted Flared Mixing.....	494
VK-3545	VB-354 Series	Valves, Inverted Flared Mixing.....	494
VK-8045	VB-804 Series	Valves, Mixing 1/2" thru 6" Bodies.....	495
VK-8047	VB-804 Series	Valves, Mixing 1/2" thru 6" Bodies.....	495
VK-8177	VB-817-0-X-X	Valves, 1/2" thru 2" Screwed End Diverting.....	496
VK-9211	VB-9211 Series	Valves, N.O. Union End.....	497
VK-9212	VB-9212 Series	Valves, N.O. Flared End.....	497
VK-9213	VB-9213 Series	Valves, N.O. Screwed or Flanged End.....	498-499
VK-9214	VB-9214	Valves, N.O. Union Sweat End.....	500
VK-9221	VB-9221 Series	Valves, N.C. Union End.....	501
VK-9222	VB-9222 Series	Valves, N.C. Flared End.....	501
VK-9223	VB-9223 Series	Valves, N.C. Screwed or Flanged End.....	502-503
VK-9224	VB-9224	Valves, N.C. Union Sweat End.....	504
VK-9253	VB-9253 Series	Valves, N.O. Screwed End Two-Way S/S Trim.....	505
VK-9263	VB-9263 Series	Valves, N.C. Screwed End Two-Way S/S Trim.....	506
VK-9273	VB-9273 Series	Valves, N.O. Screwed End Two-Way S/S Trim.....	507
VK-9283	VB-9283 Series	Valves, N.C. Screwed End Two-Way S/S Trim.....	508
VK-9312	VB-9312 Series	Valves, Flared End Mixing.....	509
VK-9313	VB-9313 Series	Valves, Screwed or Flanged End Mixing.....	509-510
VK-9314	VB-9314	Valves, Mixing 1/2" thru 2" Union Sweat End.....	511
VK-9323	VB-9323 Series	Valves, Screwed or Flanged End Diverting.....	512-513
VK-9332	VB-9332 Series	Valves, Flared End Sequencing.....	513
VM-9214	VB-9213	Valves, N.O. Screwed End.....	498-499
VM-9214	VB-9214	Valves, N.O. Union Sweat End.....	500
VM-9252	VB-9253	Valves, N.O. Screwed End Two-Way S/S Trim.....	505
VM-9273	VB-9273	Valves, N.O. Screwed End Two-Way S/S Trim.....	507
VM-9313	VB-9313	Valves, Mixing 1/2" thru 2" Screwed End.....	509-510
VM-9314	VB-9314	Valves, Mixing 1/2" thru 2" Union Sweat End.....	511
VM-9323	VB-9323	Valves, Diverting Screwed End.....	512-513
VP-82 Series	VB-202 Series	Valves, Two-Way.....	490
VP-83	VB-212 Series	Valves, Two-Way S/S Trim.....	491
VP-100 Series	VB-804 Series	Valves, Mixing 1/2" thru 6" Bodies.....	495
VP-1112	VB-111 Series	Valves, Union End.....	488
VP-1212	VB-121 Series	Valves, SAE Flared.....	489
VP-1312	VB-131 Series	Valves, Inverted Flared.....	489
VP-1512	VB-151 Series	Valves, N.C. Globe Screwed.....	490
VP-2024	VB-202 Series	Valves, Two-Way.....	490

Continued on next page

The following index contains two columns of part numbers. Locate the part number requiring maintenance in the first column. The second indicates the current kit or assembly part number which should be used to maintain those items requiring maintenance.

Part Number Requiring Maintenance	Part Number Containing Required Maintenance Parts	Description	Page
VP-2025	VB-202 Series	Valves, Two-Way	490
VP-2026	VB-202 Series	Valves, Two-Way	490
VP-2124	VB-212 Series	Valves, Two-Way S/S Trim	491
VP-2452	OYBB-233 Series	Valves, N.C. Globe Screwed	472
VP-2624	VB-262-0-1-X	Valves, N.O. Screwed End Two-Way S/S Trim	492
VP-3044	VB-804 Series	Valves, Mixing 1/2" thru 6" Bodies	495
VP-3045	VB-804 Series	Valves, Mixing 1/2" thru 6" Bodies	495
VP-3046	VB-804 Series	Valves, Mixing 1/2" thru 6" Bodies	495
VP-3142	VB-314 Series	Valves, Globe Screwed Mixing	493
VP-3242	VB-324 Series	Valves, SAE Flared Mixing	493
VP-3342	VB-334 Series	Valves, SAE Flared Sequencing	494
VP-3542	VB-354 Series	Valves, Inverted Flared Mixing	494
VP-8044	VB-804 Series	Valves, Mixing 1/2" thru 6" Bodies	495
VP-8045	VB-804 Series	Valves, Mixing 1/2" thru 6" Bodies	495
VP-8174	VB-817-0-X-X	Valves, 1/2" thru 2" Screwed End Diverting	496
VP-9213	VB-9213 Series	Valves, N.O. Screwed or Flanged End	498-499
VP-9214	VB-9214	Valves, N.O. Union Sweat End	500
VP-9223	VB-9223 Series	Valves, N.C. Screwed or Flanged End	502-503
VP-9253	VB-9253 Series	Valves, N.O. Screwed End Two-Way S/S Trim	505
VP-9273	VB-9273 Series	Valves, N.O. Screwed End Two-Way S/S Trim	507
VP-9283	VB-9283 Series	Valves, N.C. Screwed End Two-Way S/S Trim	508
VP-9313	VB-9313 Series	Valves, Screwed or Flanged End Mixing	509-510
VP-9314	VB-9314	Valves, Mixing Union Sweat End	511
VP-9323	VB-9323 Series	Valves, Screwed or Flanged End Diverting	512-513
VS-9211	VB-9211 Series	Valves, N.O. Union End	497
VS-9212	VB-9212 Series	Valves, N.O. Flared End	497
VS-9213	VB-9213 Series	Valves, N.O. Screwed or Flanged End	498
VS-9221	VB-9221 Series	Valves, N.C. Union End	501
VS-9222	VB-9222 Series	Valves, N.C. Flared End	501
VS-9223	VB-9223 Series	Valves, N.C. Screwed or Flanged End	502-503
VS-9224	VB-9224	Valves, N.C. Union Sweat End	504
VS-9253	VB-9253 Series	Valves, N.O. Screwed End Two-Way S/S Trim	505
VS-9263	VB-9263 Series	Valves, N.C. Screwed End Two-Way S/S Trim	506
VS-9273	VB-9273 Series	Valves, N.O. Screwed End Two-Way S/S Trim	507
VS-9283	VB-9283 Series	Valves, N.C. Screwed End Two-Way S/S Trim	508
VS-9312	VB-9312 Series	Valves, Flared End Mixing	509
VS-9313	VB-9313 Series	Valves, Screwed or Flanged End Mixing	509-510
VS-9314	VB-9314	Valves, Mixing Union Sweat End	511
VS-9323	VB-9323 Series	Valves, Screwed or Flanged End Diverting	512-513
VS-9332	VB-9332 Series	Valves, Flared End Sequencing	513
VU-82	VB-202 Series	Valves, Two-Way	490
VU-84	VB-111 Series	Valves, Union End	488
VU-85	OYBB-233 Series	Valves, N.C. Globe Screwed	472
VU-86	VB-121 Series	Valves, SAE Flared	489
VU-101	VB-314 Series	Valves, Globe Screwed Mixing	493
VU-1112	VB-111 Series	Valves, Union End	488
VU-1212	VB-121 Series	Valves, SAE Flared	489
VU-1312	VB-131 Series	Valves, Inverted Flared	489
VU-2024	VB-202 Series	Valves, Two-Way	490
VU-2124	VB-212 Series	Valves, Two-Way S/S Trim	491
VU-2452	OYBB-233 Series	Valves, N.C. Globe Screwed	472

MAINTENANCE PARTS

Continued on next page

The following index contains two columns of part numbers. Locate the part number requiring maintenance in the first column. The second indicates the current kit or assembly part number which should be used to maintain those items requiring maintenance.

Part Number Requiring Maintenance	Part Number Containing Required Maintenance Parts	Description	Page
VU-3044	VB-804 Series	Valves, Mixing 1/2" thru 6" Bodies	495
VU-3142	VB-314 Series	Valves, Globe Screwed Mixing	493
VU-3242	VB-324 Series	Valves, SAE Flared Mixing	493
VU-3342	VB-334 Series	Valves, SAE Flared Sequencing	494
VU-3542	VB-354 Series	Valves, Inverted Flared Mixing	494
VU-8044	VB-804 Series	Valves, Mixing 1/2" thru 6" Bodies	495
VU-8174	VB-817-0-X-X	Valves, 1/2" thru 2" Screwed End Diverting	496
VU-9213	VB-9213 Series	Valves, N.O. Screwed or Flanged End	498-499
VU-9223	VB-9223 Series	Valves, N.C. Screwed or Flanged End	502-503
VU-9253	VB-9253 Series	Valves, N.O. Screwed End Two-Way S/S Trim	505
VU-9273	VB-9273 Series	Valves, N.O. Screwed End Two-Way S/S Trim	507
VU-9313	VB-9313 Series	Valves, Screwed or Flanged End Mixing	509-510
YBA-530	VB-111-0-4	Valves, Union End	488
YBA-531	VB-111-0-3	Valves, Union End	488
YBA-532	VB-111-0-4	Valves, Union End	488
YBA-533	VB-111-0-3	Valves, Union End	488
YBA-541	VB-111-0-3	Valves, Union End	488
YBA-542	VB-111-0-4	Valves, Union End	488
YBA-543	VB-111-0-3	Valves, Union End	488
YBA-544	VB-111-0-4	Valves, Union End	488
YBA-546	VB-121-0-4	Valves, SAE Flared	489
YBA-565	VB-111-0-4	Valves, Union End	488
YBA-566	VB-111-0-4	Valves, Union End	488
YBA-567	VB-111-0-4	Valves, Union End	488
YBA-568	VB-111-0-3	Valves, Union End	488
YBA-569	VB-111-0-3	Valves, Union End	488
YBA-570	VB-111-0-3	Valves, Union End	488
YBA-571	VB-121-0-3	Valves, SAE Flared	489
YBA-572	VB-121-0-3	Valves, SAE Flared	489
YBA-573	VB-121-0-3	Valves, SAE Flared	489
YBA-574	VB-121-0-4	Valves, SAE Flared	489
YBA-575	VB-121-0-4	Valves, SAE Flared	489
YBA-576	VB-121-0-4	Valves, SAE Flared	489
YBA-585	VB-121-0-3	Valves, SAE Flared	489
YBA-586	VB-121-0-4	Valves, SAE Flared	489
YBA-588	VB-121-0-4	Valves, SAE Flared	489
YBA-589	VB-121-0-3	Valves, SAE Flared	489
YBA-590	VB-121-0-3	Valves, SAE Flared	489
YBA-591	VB-121-0-4	Valves, SAE Flared	489
YBA-595	VB-131-1-4	Valves, Inverted Flared	489
YBA-596	VB-131-1-4	Valves, Inverted Flared	489
YBA-597	VB-131-1-4	Valves, Inverted Flared	489
YBA-602	VB-131-1-3	Valves, Inverted Flared	489
YBA-603	VB-131-2-4	Valves, Inverted Flared	489
YBA-604	VB-131-1-3	Valves, Inverted Flared	489
YBA-605	VB-131-2-4	Valves, Inverted Flared	489
YBA-606	VB-131-1-3	Valves, Inverted Flared	489
YBA-607	VB-131-2-4	Valves, Inverted Flared	489
YBA-608	VB-131-2-3	Valves, Inverted Flared	489
YBA-609	VB-131-2-3	Valves, Inverted Flared	489
YBA-610	VB-131-2-3	Valves, Inverted Flared	489

Continued on next page

MAINTENANCE PARTS

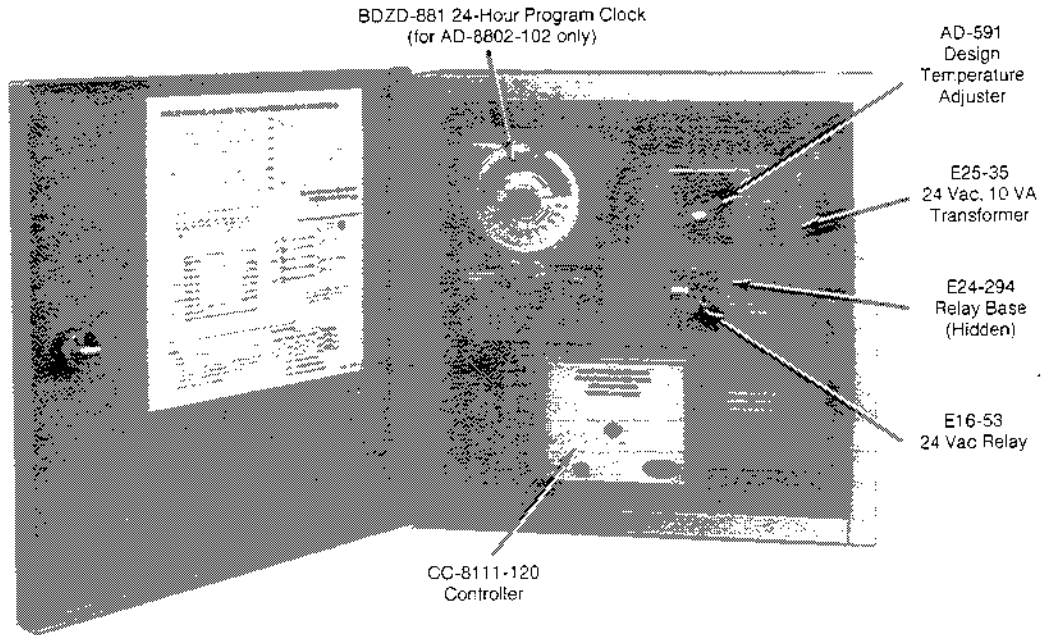
MAINTENANCE PARTS

Miscellaneous

Replacement parts for AD-8802-101 and -102 Econostat.

AD-8802-101
AD-8802-102

TS-8533
Outdoor Air Sensor



Resistor kit.

AD-8969-203

Description	Application	Number in Kit
562,000 ohms (562K), ±1% tolerance, 1/4 watt, temperature coefficient (TC) of 100 PPM/°C metal film resistor.	Interfacing the 1 to 11 Vdc signal from HSP-6X8† series humidity transmitters to System 8000 controllers.	6



COLOR CODE (if applicable)

First Band — 1st Digit

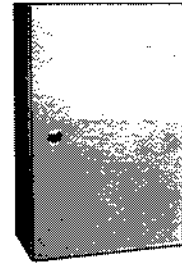
Second Band — 2nd Digit

Color	Digit	Multiplier	Tolerance
Black	0	1	—
Brown	1	10	—
Red	2	100	—
Orange	3	1,000	—
Yellow	4	10,000	—
Green	5	100,000	—
Blue	6	1,000,000	—
Violet	7	10,000,000	—
Gray	8	—	—
White	9	—	—
Gold	—	0.1	± 5%
Silver	—	—	±10%
No color	—	—	±20%

MAINTENANCE PARTS

Miscellaneous

Cabinet Part Number	Replacement Lock & Key
AE-629 thru AE-632	BYZP-268
AE-662-501 AE-662-502 AE-662-503	SYZE-1090

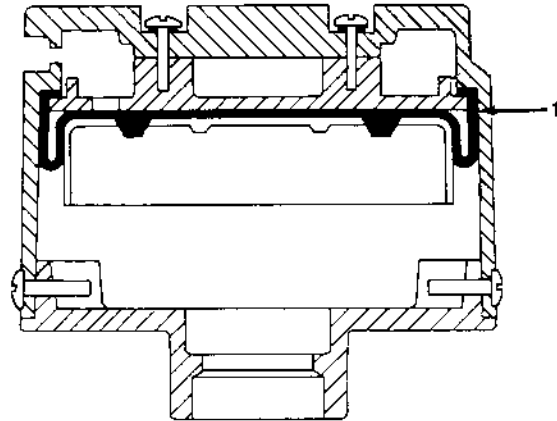


AE-629
AE-630
AE-631
AE-632
AE-662-501
AE-662-502
AE-662-503

Air switching valve.

Item No.	Part No.	Description
1	PNV-102-1	Diaphragm

AL-161-4



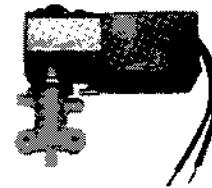
AL-161-4 Actuator Cross Section

MAINTENANCE PARTS

Solenoid Part No.	Replacement Coil Part No.	Voltage (AC 60 Hz)
AL-170 AL-180	PNR-325-024	24
AL-171 AL-181	PNR-325-120	120
AL-182	PNR-325-208	208
AL-183	PNR-325-240	240
AL-185	PNR-325-480	480



AL-170



AL-180

AL-170 Series
AL-180 Series

Miscellaneous

Weather resistant gasket cover kits designed to protect the internal components of non-spring return oil-submerged gear train actuators from undesirable external elements. Used on MC, MP, MU and MUP actuators except MC and MP-9000 series actuators.

Construction: Two gasketed covers.

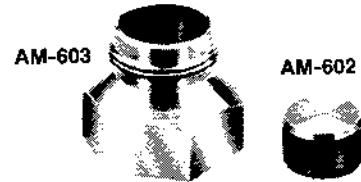
Note: Back cover plate prevents the use of other accessory kits.



AM-363

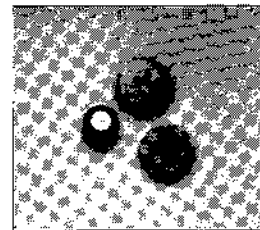
Adaptors for current-to-obsolete linkages and for obsolete-to-current linkages.

Part No.	Application	Specifications
AM-602	Adapts current actuators to obsolete linkages	Replace MA/MP-521X-XXX or MA/MP-521X-XXX-0-1 with MA/MP-521X-XXX-0-2
AM-603	Adapts obsolete actuators to current linkage	Adapts MA/MP-521X-X-XXX or MA/MP-521X-XXX-0-1 to AV-600 or AV-601-0-0-1 linkages



AM-602
AM-603

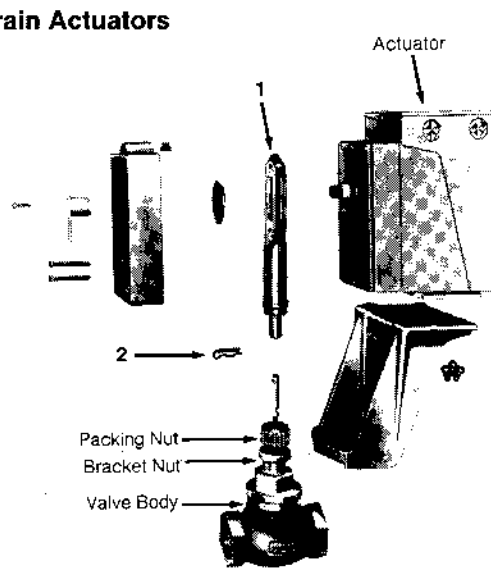
PKG-1093 battery and cover kit for digital indication kits.



AT-82 Series
thru
AT-90 Series

Valve Linkage

For Use With: Electric Gear Train Actuators

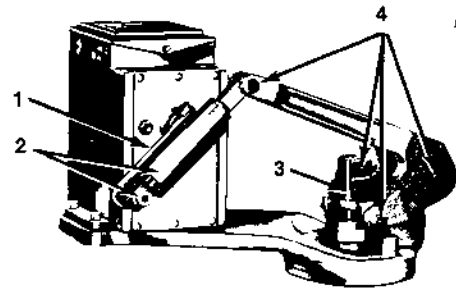


AV-21	AV-91	AV-300	AV-390
AV-27	AV-92	AV-329	AV-391
AV-29	AV-93	AV-330	AV-392
AV-30	AV-94		AV-393
			AV-394
			AV-395
			AV-396

Item No.	Part No.	Description
1	ADDA-104-2	150# plunger
	FYBA-53-9	300# plunger
2	BDHE-136	Valve connecting pin common to all linkages

For Use With: Electric Gear Train Actuators
(Non-Spring Return)

Item No.	Part No.	Description
1	AM-116	Crank Arm
2	CYBC-361	Plunger Assembly
3	XYBB-289	1/4" Stem Extension for 1/2—2" Valves
4	ADDA-937	Parts Kit



AV-352

For Use With: MK-2690 Actuator

Item No.	Part No.	Description
1	YBA-648	Stem extension
2	YBA-559	Spring retainer



AV-400

For Use With: MK-46XX Series Actuators

Item No.	Part No.	Description
1	BDHE-136	Valve connecting pin
2	YBA-519	Lock nut



AV-401

MAINTENANCE PARTS

Valve Linkage

For Use With: MK-48XX Actuators

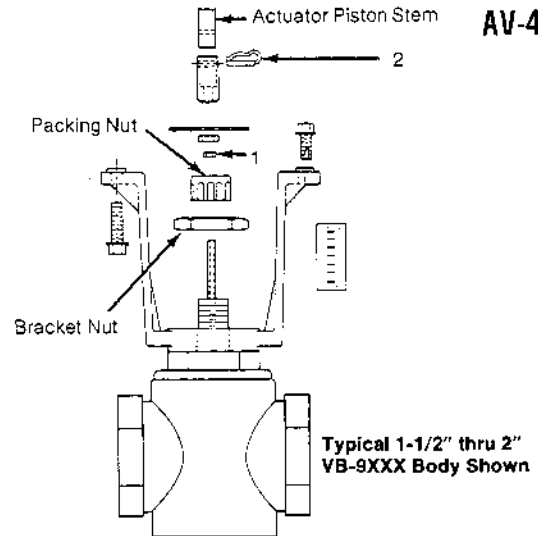
Item No.	Part No.	Description
1	BDHE-136	Connecting pin
2	YBA-519	Lock nut
3	YBA-655	Stem extension



AV-420

For Use With: MK-47XX, MK-68XX or MS-8XXXX Series Actuators

Item No.	Part No.	Description
1	YBA-519	1/4" lock nut used in 1-1/2"-2" valves
2	BDHE-136	Valve connecting pin



AV-430-0-0-1

For Use With: MA-521X, MP-5X1X or MPR-5X1X Series Actuators

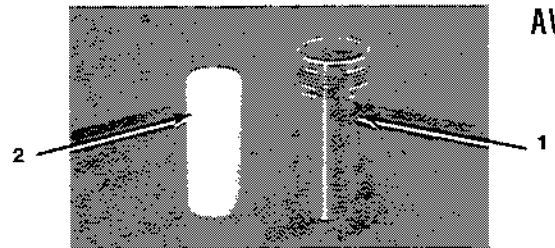
Item No.	Part No.	Description
1	YBA-558 YBA-648	Stem extension
2	YBA-559	Spring retainer



AV-600

For Use With: MP-5XXX or MPR-5XXX Actuators

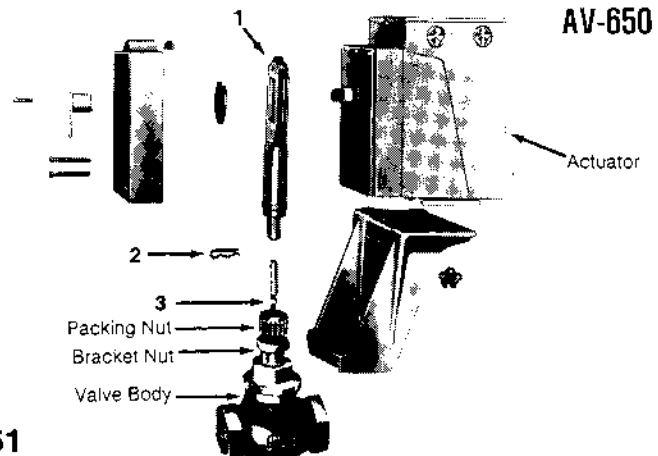
Item No.	Part No.	Description
1	YBA-653	Mounting bracket
2	YBA-654	Spacer



AV-601

For Use With: Electric Gear Train Actuators

Item No.	Part No.	Description
1	ADDA-104-2	150# plunger
2	BDHE-136	Valve connecting pin
3	YBA-519	Lock nut



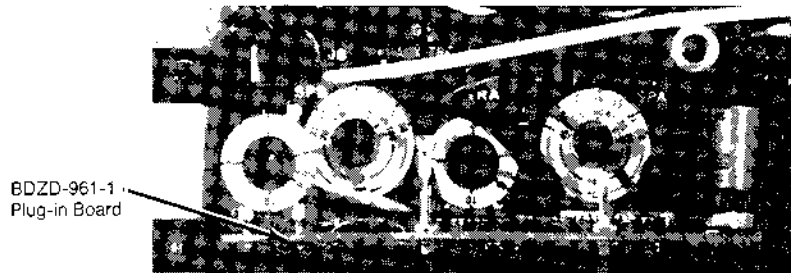
AV-650

MAINTENANCE PARTS

Miscellaneous

Replacement plug-in circuit board BDZD-961-1
in CP-8161-333.

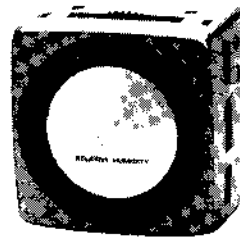
CP-8161-333



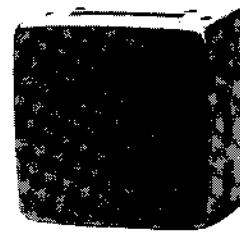
Replacement covers.

Cover	For Use with
C10-42	H18
C15-42*	H53

*Can also be used as blank cover for H18.



C10-42

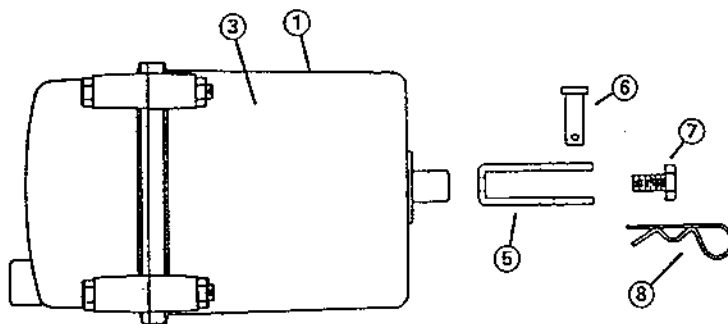
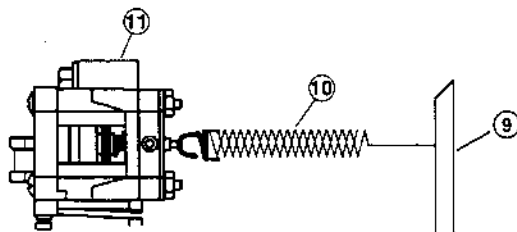
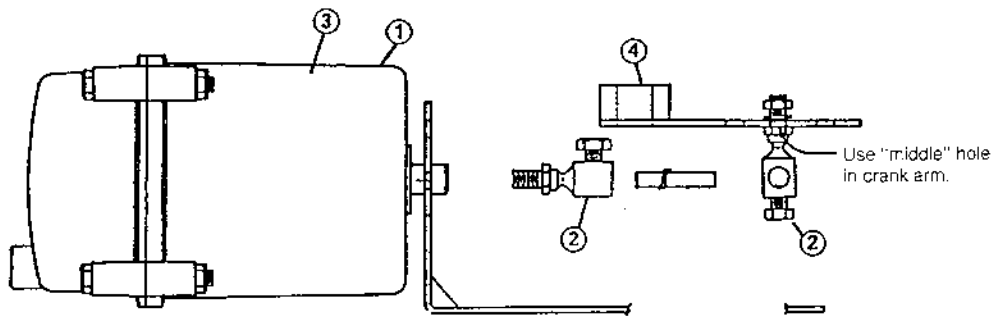


C15-42

H18
H53

Actuators

**M556 Series
M573 Series
M574 Series**



Item No.	Description
1	Bare actuator
2	Ball joint
3	Diaphragm
4	Crank arm
5	Clevis
6	Pin
7	Bolt
8	Cotter pin
9	Feedback arm
10	Feedback spring
11	Positioner

Actuator Model Number	1	2		3	4	9*	10*	11	12
	Bare Actuator	Ball Joint	Ball Joint	Diaphragm	Crank Arm	Feedback Arm	Feedback Spring	Positioner	Actuator Spring
M556-14	--	--	--	--	--	N800-1501	N800-2259	N800-0555-P	--
M556-51	--	--	--	--	--	--	--	--	--
M573-1108	N800-0305	N800-0803	--	N800-9423	--	N800-1501	N800-2257	N800-0555-P	N800-4305
M573-1111	N800-0305	N800-0803	N800-0804	N800-9423	N800-1415	N800-1501	N800-2257	N800-0555-P	N800-4305
M573-3108	N800-0303	N800-0803	--	N800-9423	--	--	--	--	N800-4303
M573-3111	N800-0303	N800-0803	N800-0804	N800-9423	N800-1415	--	--	--	N800-4303
M573-5108	N800-0305	N800-0803	--	N800-9423	--	--	--	--	N800-4305
M573-5111	N800-0305	N800-0803	N800-0804	N800-9423	N800-1415	--	--	--	N800-4305
M574-1208	N800-0405	N800-0803	--	N800-9424	--	N800-1501	N800-2258	N800-0555-P	N800-4405
M574-1211	N800-0405	N800-0803	N800-0804	N800-9424	N800-1415	N800-1501	N800-2258	N800-0555-P	N800-4405
M574-3208	N800-0403	N800-0803	--	N800-9424	--	--	--	--	N800-4403
M574-3211	N800-0403	N800-0803	N800-0804	N800-9424	N800-1415	--	--	--	N800-4403
M574-5208	N800-0405	N800-0803	--	N800-9424	--	--	--	--	N800-4405
M574-5211	N800-0405	N800-0803	N800-0804	N800-9424	N800-1415	--	--	--	N800-4405

*Included with N800-055-P positioner.

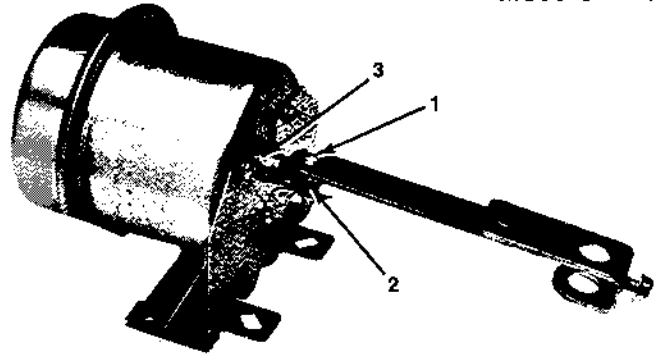
MAINTENANCE PARTS

Actuators

Pneumatic damper actuator.

M693 Series

Item No.	Part No.	Description
1	N800-1104	Clevis pin
2	N800-1105	Nylon bushing
3	N800-1106	Nylon bearing

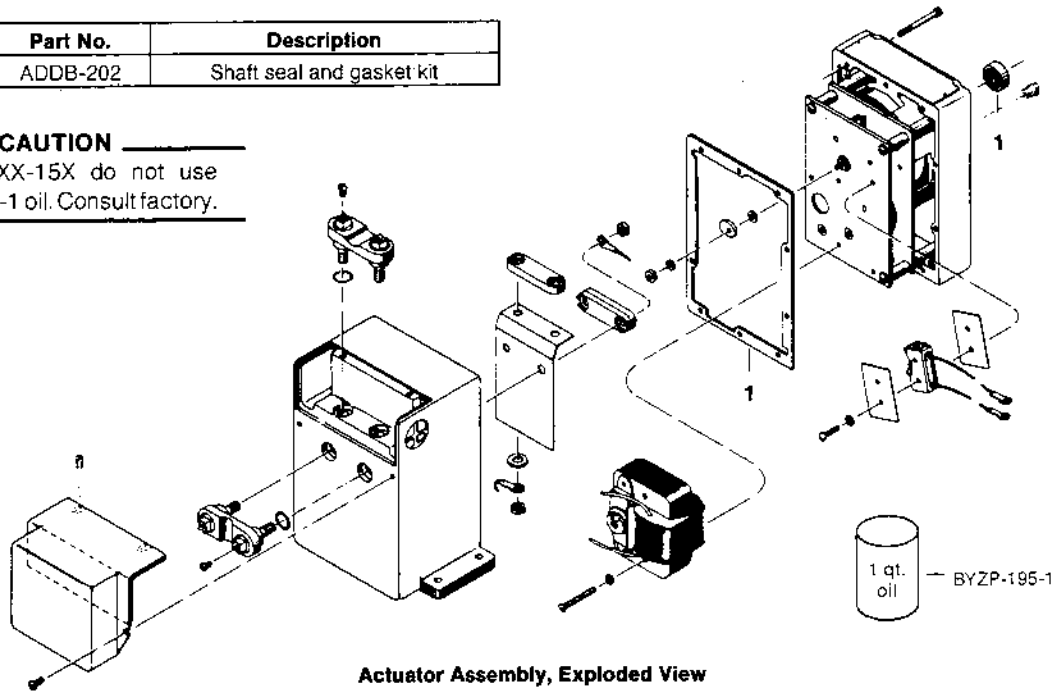


Actuators

Item No.	Part No.	Description
1	ADDB-202	Shaft seal and gasket kit

CAUTION

On MA-XXX-15X do not use BYZP-195-1 oil. Consult factory.



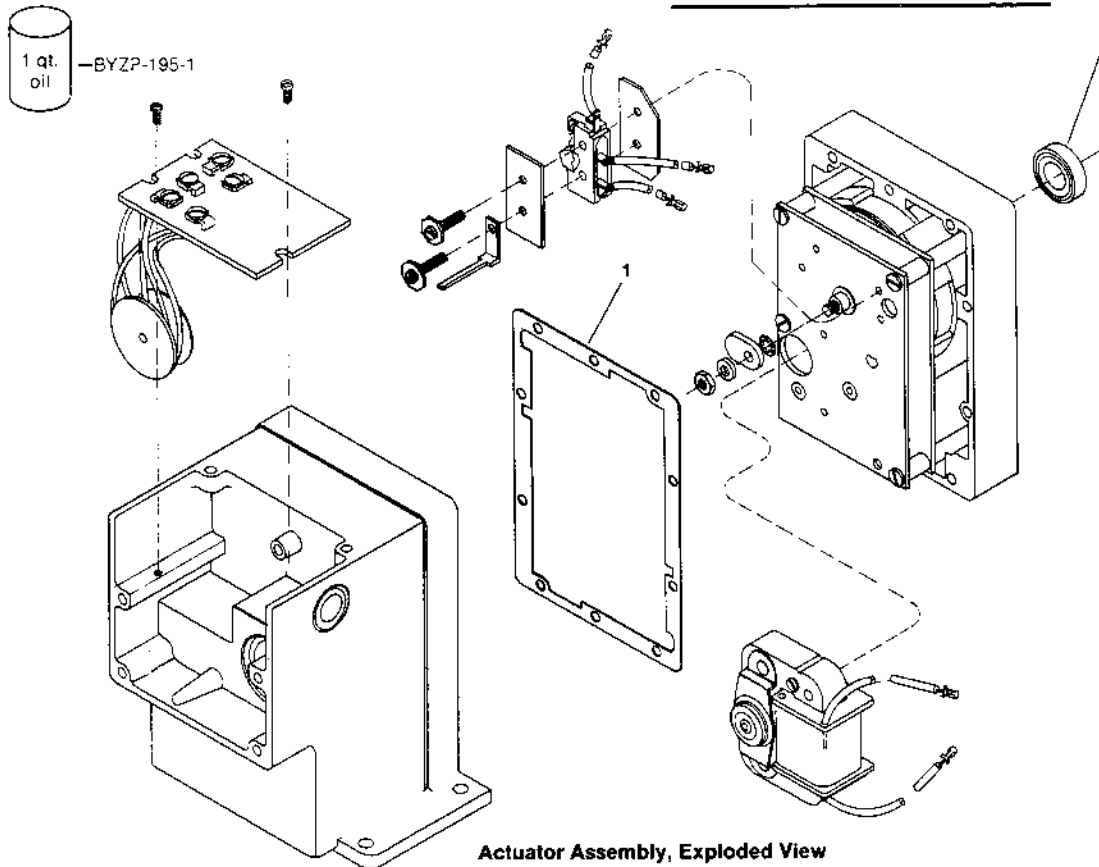
Actuator Assembly, Exploded View

- MA-305
- MA-308
- MA-318
- MA-405
- MA-406
- MA-407
- MA-408
- MA-409
- MA-418
- MA-419

Item No.	Part No.	Description
1	ADDB-202	Shaft seal and gasket kit

CAUTION

On MA-XXX-15X do not use BYZP-195-1 oil. Consult factory.



Actuator Assembly, Exploded View

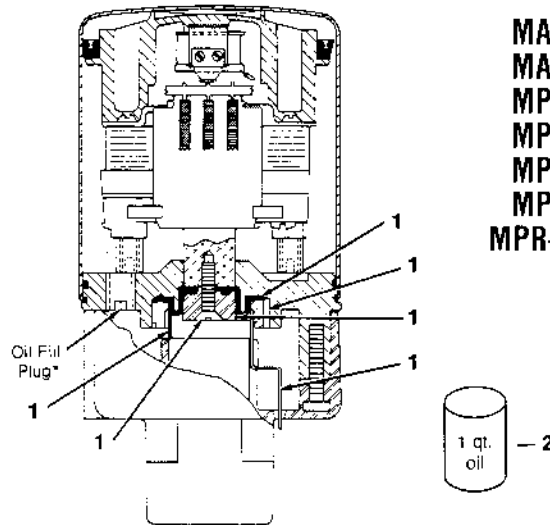
- MA-305-0-0-1
- MA-305-0-0-2
- MA-308-0-0-1
- MA-308-0-0-2
- MA-318-0-0-2
- MA-405-0-0-1
- MA-405-0-0-2
- MA-406-0-0-1
- MA-406-0-0-2
- MA-407-0-0-1
- MA-407-0-0-2
- MA-408-0-0-2
- MA-409-0-0-2
- MA-418-0-0-2
- MA-419-0-0-2

MAINTENANCE PARTS

Actuators

Item No.	Part No.	Description
1	BDDH-109	Lower diaphragm kit
2	BYZP-195-1	One quart oil

*NOTE: Oil level should be 1/8" below bottom of oil fill hole.



MA-5210 Series
 MA-5330 Series
 MP-5210 Series
 MP-5230 Series
 MP-5410 Series
 MP-5430 Series
 MPR-5XXX Series

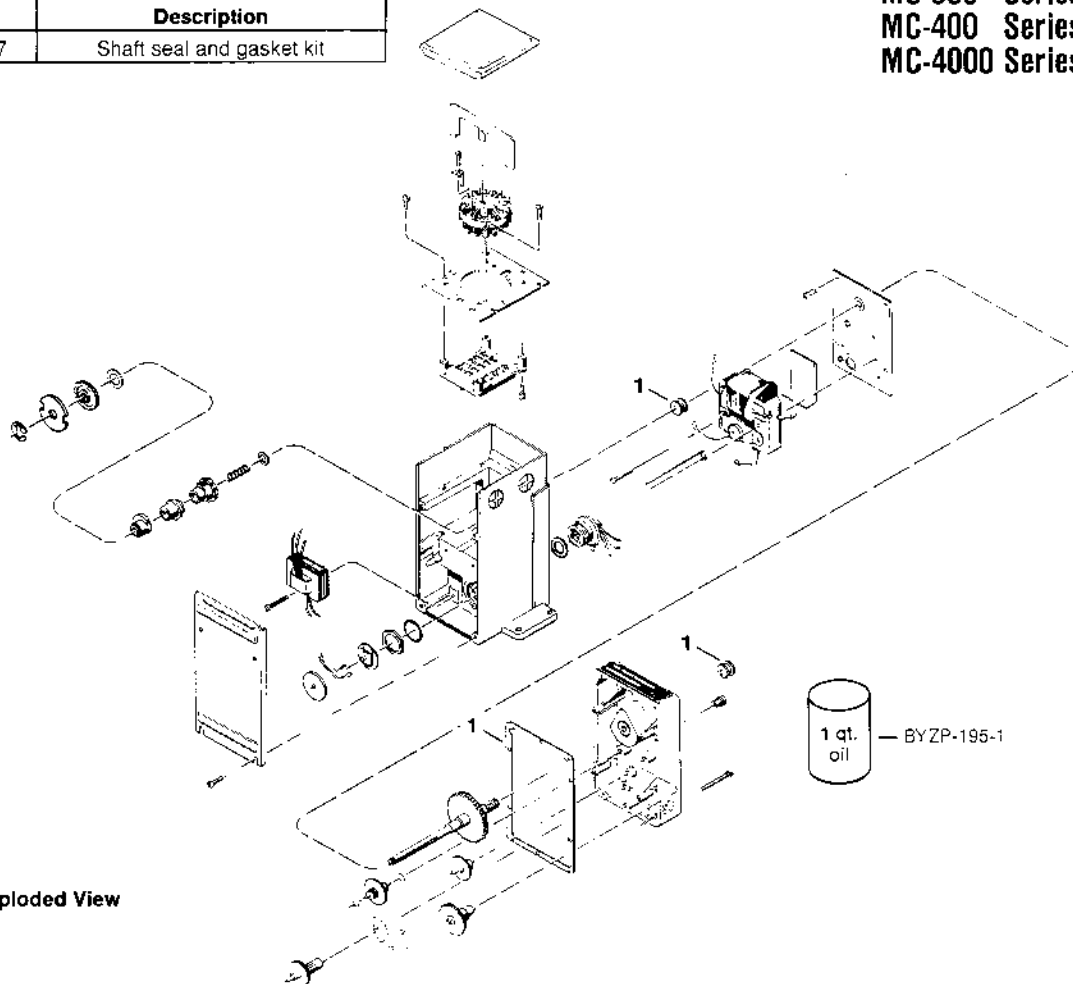
AM-217 wiring harness. Connector has 18" (457 mm) leads.



MA-12323-102

Item No.	Part No.	Description
1	ADDA-907	Shaft seal and gasket kit

MC-300 Series
 MC-400 Series
 MC-4000 Series



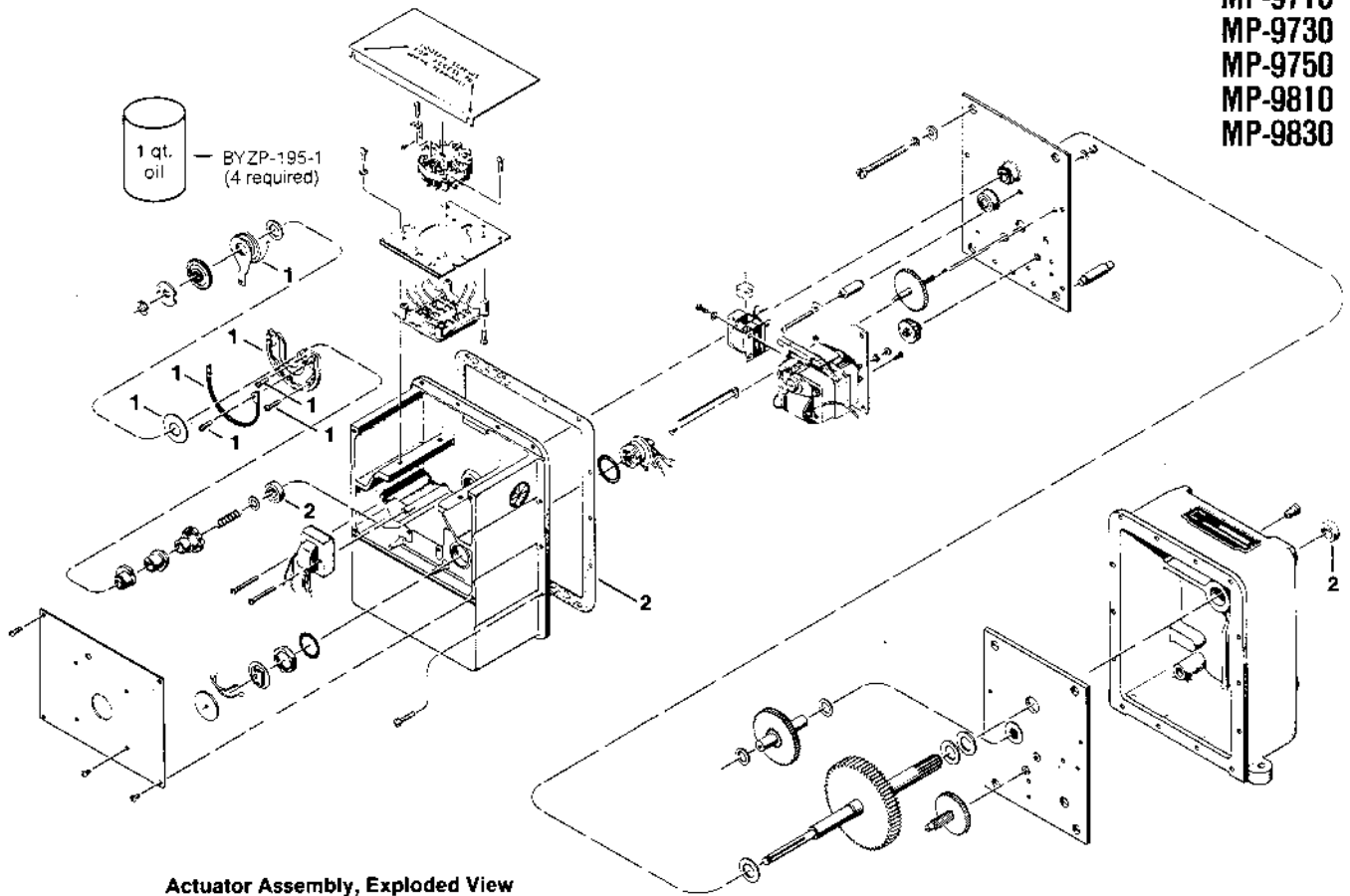
Actuator Assembly, Exploded View

MAINTENANCE PARTS

Actuators

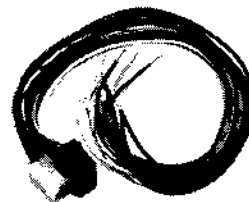
Item No.	Part No.	Description
1	ADDA-902-2	100 ohm 180° pot. kit (MP-9XXX only except MP-9730, MP-9830)
	ADDA-902-5	100 ohm 90° pot. kit (MP-9730, MP-9830 only)
2	BYCK-102	Shaft seals and gasket kit

MC-9610
 MC-9810
 MP-9700
 MP-9710
 MP-9713
 MP-9730
 MP-9750
 MP-9810
 MP-9830



Actuator Assembly, Exploded View

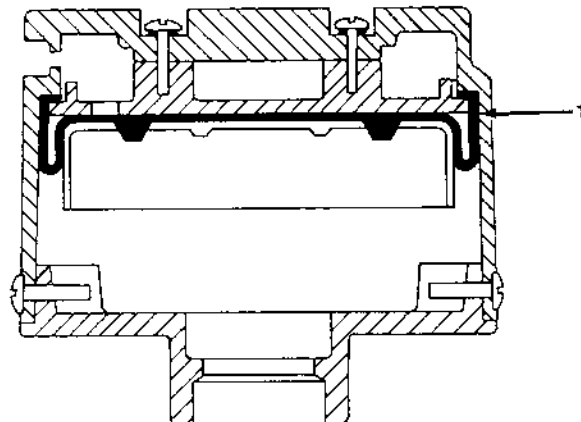
AM-218 wiring harness. Connector has 18" (457 mm) leads.



ME-12323-102

Item No.	Part No.	Description
1	PNV-102-1	Diaphragm

MK-2690's manufactured before 1972 are not repairable; replace with new.



MK-2400
 MK-2410
 MK-2420
 MK-2690

MK-2400, MK-2410, MK-2420 and MK-2690
 Actuator Cross Section

MAINTENANCE PARTS

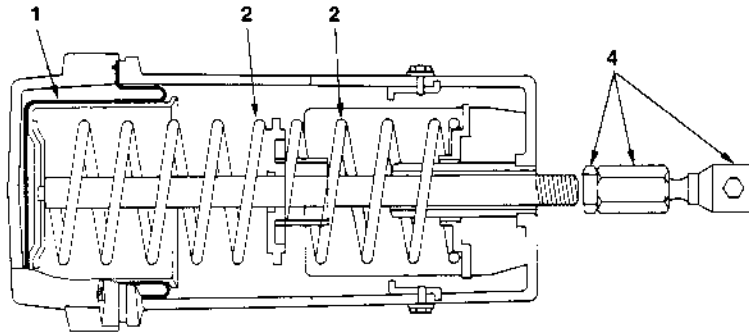
Actuators

MK-3100 Series
MK-3200 Series
MK-3300 Series
MK-3800 Series

Item No.	Description	Part No.	Actuator
1	Diaphragm	PND-2-1	All
2	3-8 spring (green)*	PND-45-343	MK-3X01
	5-10 spring (black)*	PND-45-345	MK-3X11
	8-13 spring (blue)*	PND-45-348	MK-3X21
	3-13 spring (white)*	PND-50-343	MK-3X41
	Second stage spring 9-12 (gray)	PND-81	MK-3X51
	Second stage spring 11-17 (brown)	PND-82	MK-3X61
3	First stage spring 3-6 (violet)	PND-79	MK-3X51, MK-3X61
4	Shaft connector	PND-504	MK-3100, MK-3200, MK-3300
	Shaft clevis (not shown)	AM-535	MK-3800
	Shaft extension (not shown)	AM-533	MK-3800
5	Pivot mounting plate	AM-536	MK-3800
	Pivot stud	AM-534	MK-3800

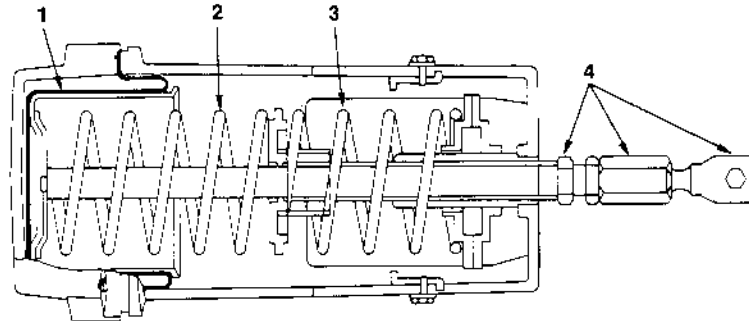
*Two required per actuator.

**MK-3X01, MK-3X11,
 MK-3X21, MK-3X41
 Single Spring Range**



5 Mounting Plate and Pivot Stud Not Shown

**MK-3X51, MK-3X61
 Dual Spring Range**



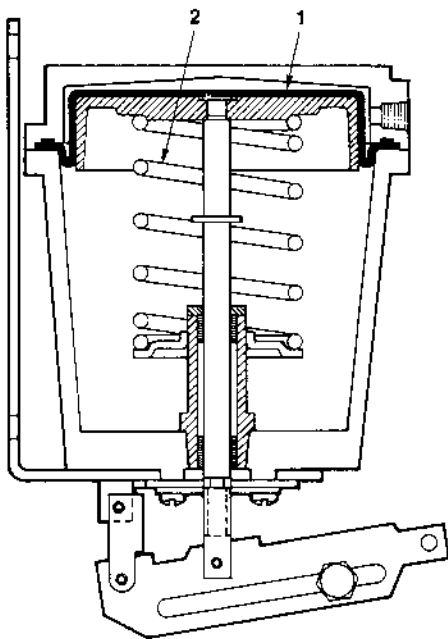
2 Mounting Plate Screws Not Shown
 5 Mounting Plate and Pivot Stud Not Shown

MAINTENANCE PARTS

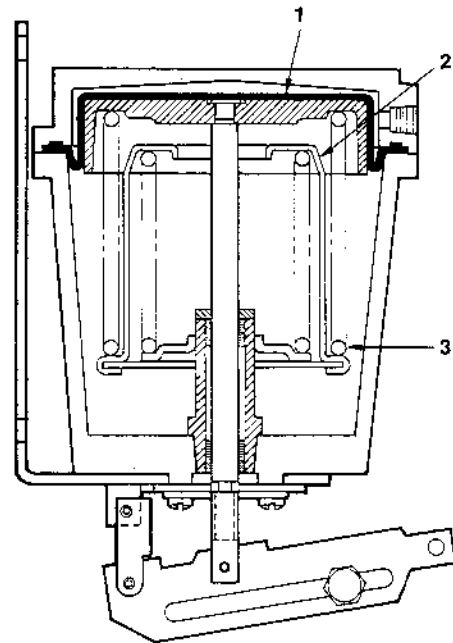
Actuators

MK-4400 Series

Item No.	Description	Part No.	Actuator
1	Diaphragm	PNV-2	All
2	3-8 spring (black)	PND-145-104	MK-4401
	5-10 spring (black)	PND-145-104	MK-4411
	8-13 spring (blue)	PND-145-107	MK-4421
	6-11 spring (blue)	PND-145-107	MK-4431
	9-12 spring cannister	ADDH-257	MK-4451
	11-17 spring cannister	ADDH-257-10	MK-4461
3	3-6 spring (violet)	PND-143-083	MK-4451, 4461



MK-4401, MK-4411,
MK-4421, MK-4431

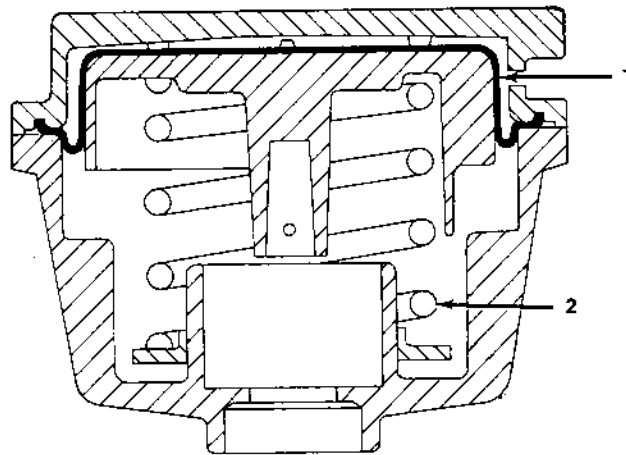


MK-4451, MK-4461

Actuators

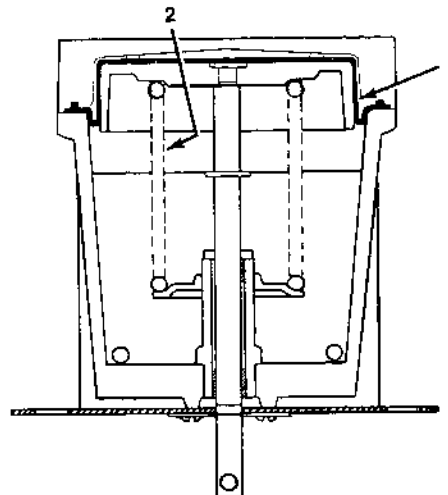
MK-4600 Series

Item No.	Part No.	Description	Actuator
1	PNV-2	Diaphragm	All
2	PNV-238	3-6 psi spring (brown)	MK-4601
	PNV-045-044	3-8 psi spring (black)	MK-4601
	PNV-045-044	5-10 psi spring (black)	MK-4611
	PNV-045-048	8-13 psi spring (light blue)	MK-4621
	PNV-239	10-13 psi spring (gray)	MK-4621
	PNV-050-043	3-13 psi spring (white)	MK-4641
	PNV-041-046	6-7 psi spring (red)	MK-4681
	PNV-232	10-11.25 psi spring (orange)	MK-4621-422



MK-4700 Series MK-4800 Series

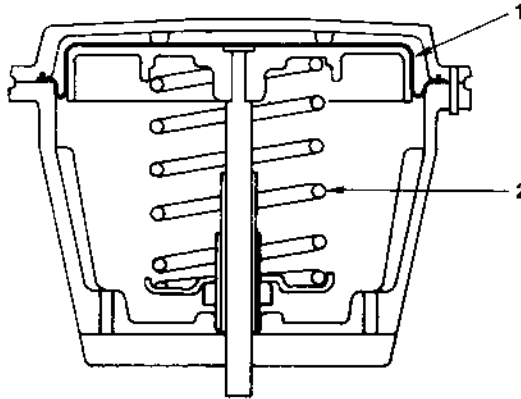
Item No.	Part No.	Description	Actuator
1	PNV-2	Diaphragm	All
2	PND-145-104	3-8 psi spring (black)	MK-4701, 4801
	PND-145-104	5-10 psi spring (black)	MK-4711, 4811
	PND-145-107	8-13 psi spring (blue)	MK-4721, 4821



Actuators

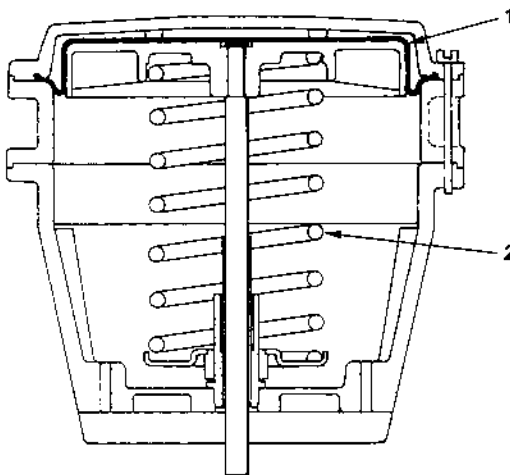
MK-6000 Series

MK-67XX, MK-68XX			
Item No.	Part No.	Description	Actuator
1	PNV-202	Diaphragm	All
2	PNV-245-103	3-8 psi spring (green)	MK-6801 (MK-6701)
	PNV-245-105	5-10 psi spring (black)	MK-6811 (MK-6711)
	PNV-245-108	8-13 psi spring (blue)	MK-6821 (MK-6721)



MK-6700, MK-6800

MK-69XX			
Item No.	Part No.	Description	Actuator
1	PNV-202	Diaphragm	All
2	PNV-245-143	3-8 psi spring (green)	MK-6901
	PNV-245-145	5-10 psi spring (black)	MK-6911



MK-6900

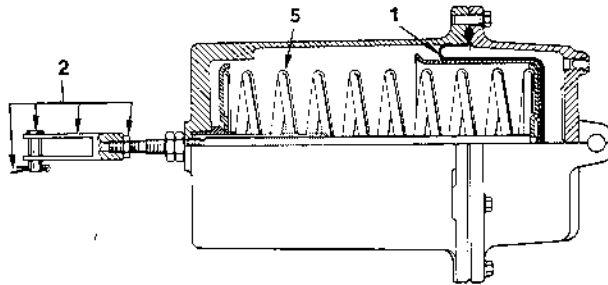
Actuators

MK-7000 Series

Item No.	Part No.	Description	Actuator
1	PND-202	Diaphragm	MK-7101, 7121, 7821, 7921
2	AM-535 AM-541*	Clevis kit	
3	AM-534	Pivot stud kit (not shown)	MK-7101, 7121
4	AM-536	Mounting plate (not shown)	MK-7101, 7121
5	PND-245-103	3-8 spring (green)	MK-7101
	PND-245-108	8-13 spring (blue)	MK-7121, 7821, 7921

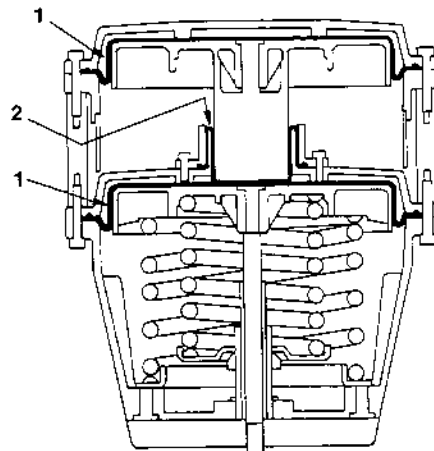
*Used with MK-7101-0-0-2, MK-7121-0-0-2, MK-7821-0-0-1, MK-7921-0-0-2.

NOTE: Parts cannot be used with MK-7101 or MK-7121 which have spring exposed.



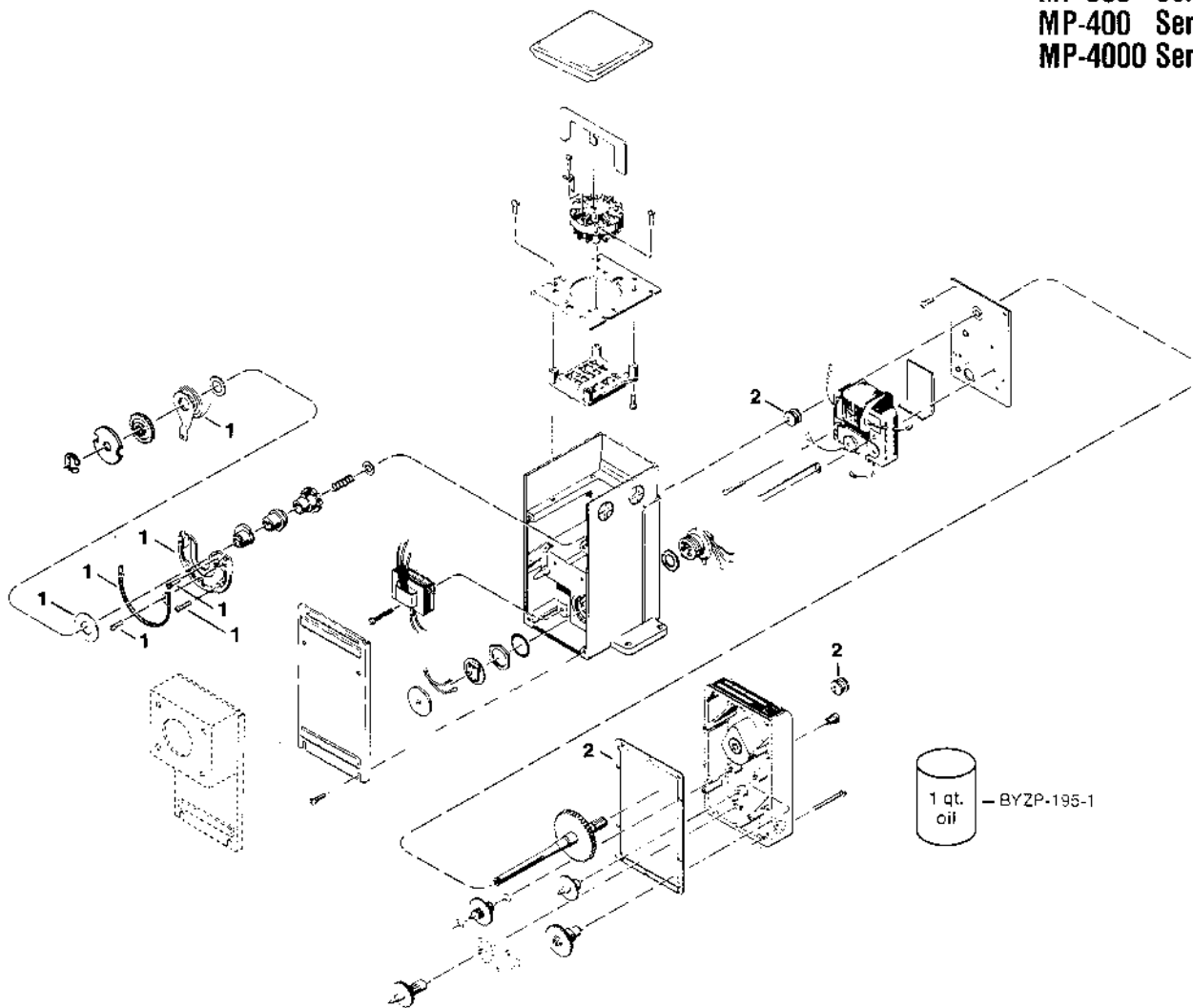
MK-8800 Series MK-8900 Series

Item No.	Part No.	Description	Actuator
1	PNV-202 (2 required)	Diaphragms (2)	All
2	PNV-312	Rolling diaphragm	



Actuators

MP-300 Series
MP-400 Series
MP-4000 Series



Actuator Assembly, Exploded View

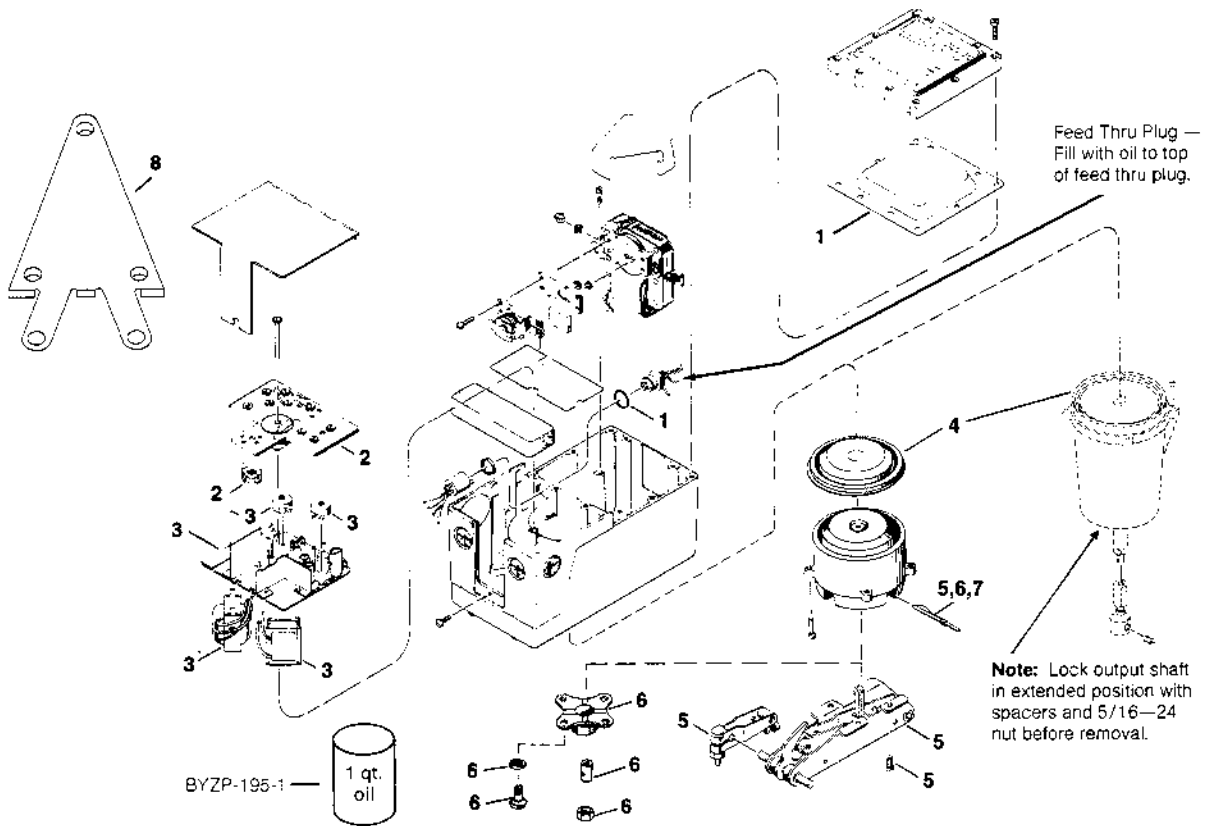
Item No.	Actuator	Item 1 Potentiometer Kit	
		Part No.	Description
1	MP-XX0X-0-0-1	ADDA-902-2	100Ω, 180°
	MP-XX0X-0-2-1		
	MP-XX1X-0-0-1	ADDA-902-2	100Ω, 180°
	MP-XX2X-0-0-1		
	MP-XX3X-0-0-1	ADDA-902-5	100Ω, 90°
	MP-XX3X-0-2-1		
	MP-XX4X-0-0-1	ADDA-902-5	100Ω, 90°
	MP-XX4X-0-2-1		
	MP-XX5X-0-0-1	ADDA-902-2	100Ω, 180°
	MP-XX5X-0-2-1		
	MP-XX6X-0-0-1	ADDA-902-2	100Ω, 180°
	MP-XX6X-0-2-1		
	MP-XX7X-0-0-1	ADDA-902-4	50Ω, 180°
	MP-XX8X-0-0-1	ADDA-902-2	100Ω, 180°
MP-XX8X-0-2-1			
MP-XX9X-0-0-1	ADDA-902-2	100Ω, 180°	

Item No.	Item 1 Additional Potentiometer Kits	
	Part No.	Description
1	ADDA-902-6	500Ω, 90°
	ADDA-902-7	50Ω, 90°
	ADDA-902-8	1000Ω, 90°
	ADDA-902-9	500Ω, 180°
	ADDA-902-10	1000Ω, 180°
2	ADDA-907	Shaft seal and gasket kit

MAINTENANCE PARTS

Actuators

MP-500
MU-500
MU-5000



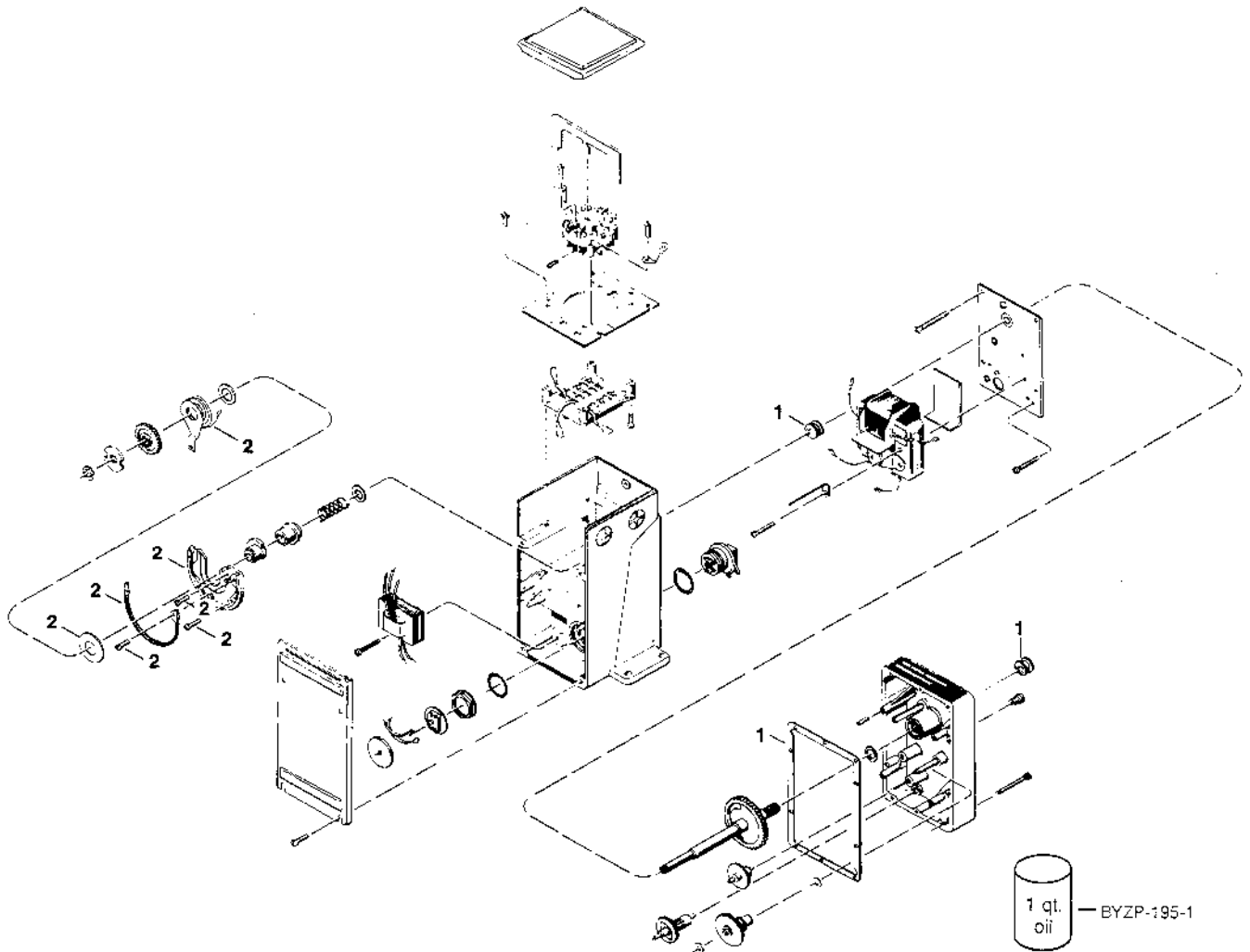
MAINTENANCE PARTS

Item No.	Part No.	Description	Where Used
1	ADDH-279	Upper diaphragm and feed thru block gasket kit	All
2	ADDH-159-0-1	Temperature bridge	MU-501, 503, 505, 5011, 5031, 5051
	ADDH-161	Temperature bridge summer/winter changeover	MU-502, 504, 5021, 5041
3	ADDH-160-0-2	Temperature amplifier	MU-501, 503, 505, 5011, 5031, 5051
	ADDH-162-0-2	Temperature amplifier summer/winter changeover	MU-502, 504, 5021, 5041
	ADDH-180-0-0-1	Power supply	MP-511, 513, 515, 516, 517, 518
4	ADDH-38-1	Lower seal for 9/16" stroke actuator	MP-501, 503, 505, 511, 513, 515 MU-501, 502, 503, 504, 505, 506, 507
	ADDH-102-1	Lower seal for 2-1/4" stroke actuator	MP-506, 507, 508, 516, 517, 518 MU-508, 5011, 5021, 5031, 5041, 5051
5	ADDH-98	Damper linkage for 9/16" stroke actuator	MP-501, 503, 511, 513 MU-501, 502, 503, 504, 506, 507
6	AV-308	Valve linkage for 9/16" stroke actuator	MP-503, 513; MU-503, 504, 506
7	ADDH-86	Connecting pin for 9/16" stroke actuator	MP-501, 503, 505, 511, 513, 515 MU-501, 502, 503, 504, 505, 506, 507
8	ADDH-46-1	Damper mounting bracket	MP-501, 503, 505, 511, 513, 515 MU-501, 502, 503, 504, 505, 506, 507

Actuators

Item No.	Part No.	Description	Actuators Used with
1	ADDA-907	Shaft seal and gasket kit	—
2	ADDA-902-2	Potentiometer kit, 100Ω, 180°	MP-211X, MP-211X-500, MP-215X, MP-215X-500
	ADDA-902-5	Potentiometer kit, 100Ω, 90°	MP-213X, MP-213X-500

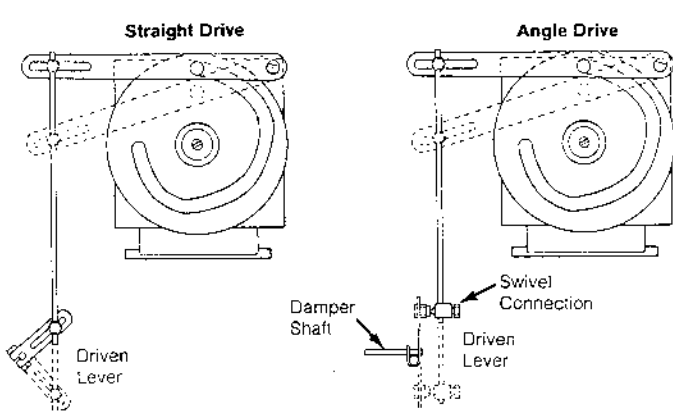
MP-2XXX-0-0-1
 MP-2XXX-500-0-1
 MP-2XXX-60X-0-1
 MP-2XXX-0-2-1
 MP-2XXX-500-2-1



MP-2000 Actuator Assembly, Exploded View

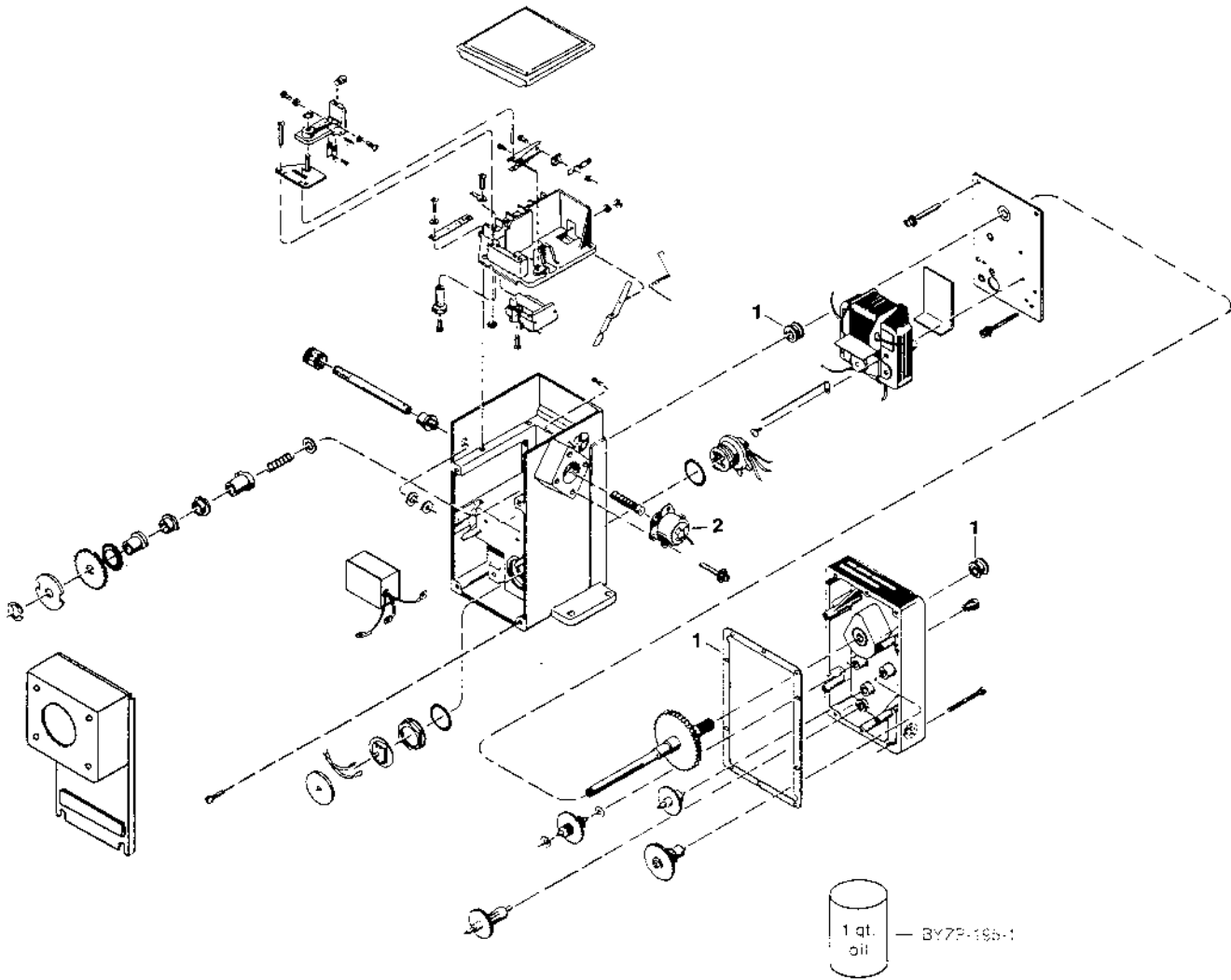
MAINTENANCE PARTS

Actuators



MU-477-XXX
 MU-477XX-XXX-3-XX
 MU-477XX-XXX-4-XX
 MU-478-XXX
 MU-4X8XX-XXX-3-XX
 MU-4X8XX-XXX-4-XX
 MU-479-XXX
 MU-479XX-XXX-3-XX
 MU-479XX-XXX-4-XX

MAINTENANCE PARTS



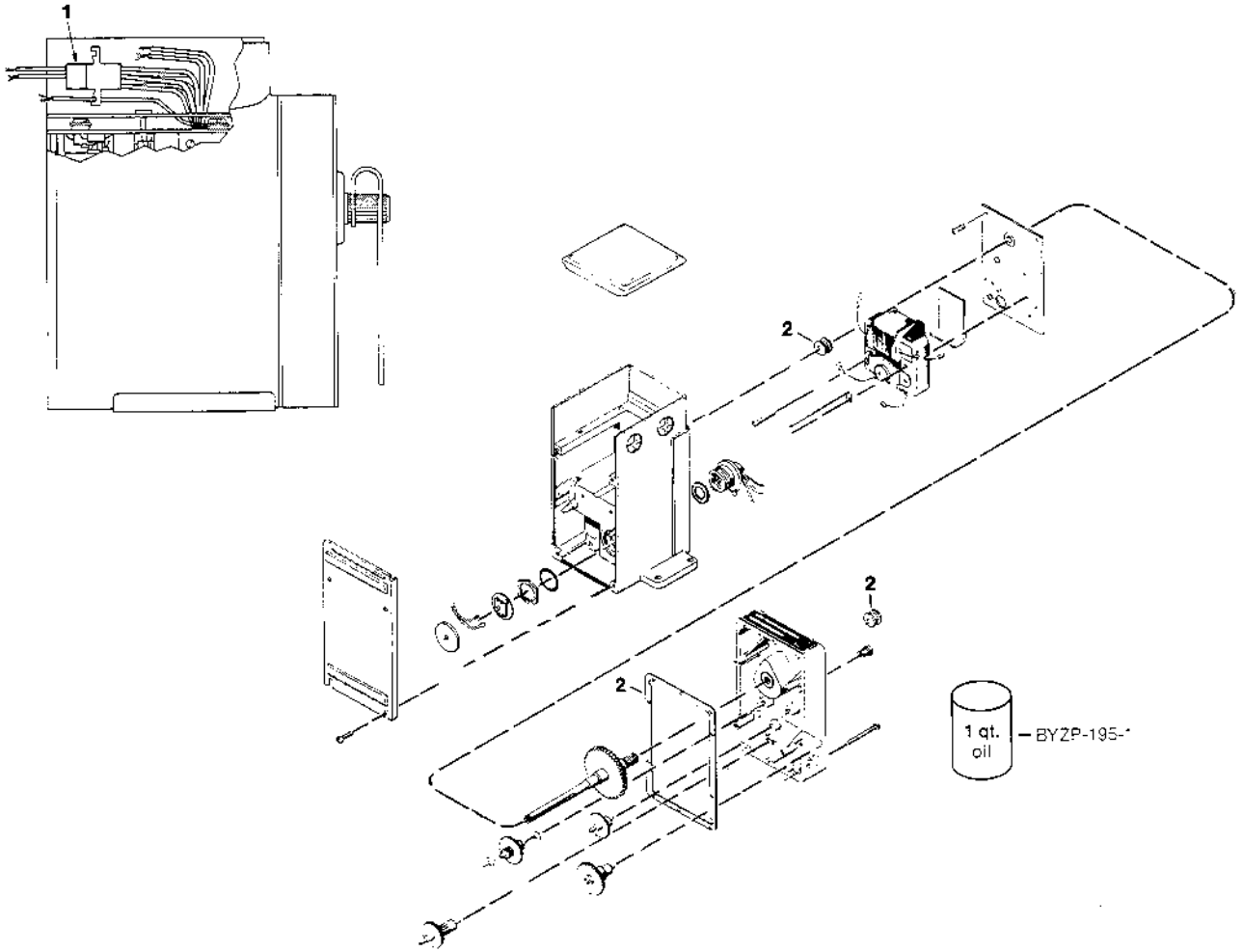
MU-477 Actuator Assembly, Exploded View

Item No.	Part No.	Description	Where Used		
			Face & Bypass	Electric Heat	Valve Control
1	ADDA-907	Shaft seal and gasket kit			
2	DYDK-96-12	Room control thermal element discharge bulb	MU-477-XXX MU-477XX-XXX-3-XX MU-477XX-XXX-4-XX	MU-478-XXX MU-4X8XX-XXX-3-XX MU-4X8XX-XXX-4-XX	MU-479-XXX MU-479XX-XXX-3-XX MU-479XX-XXX-4-XX
	DYDK-97-12	Unit control thermal element, dual bulb (discharge & return air)			

Actuators

MU-2270
 MU-2271
 MU-2273

Item No.	Part No.	Description
1	AD-1736	Wiring harness for 1.35 ohm slidewire
	AD-1737	Wiring harness for 2-11 Vdc output
	AD-1739	Wiring harness for 6-9 Vdc input
2	ADDA-907	Shaft seal and gasket kit



Actuator Assembly, Exploded View

MAINTENANCE PARTS

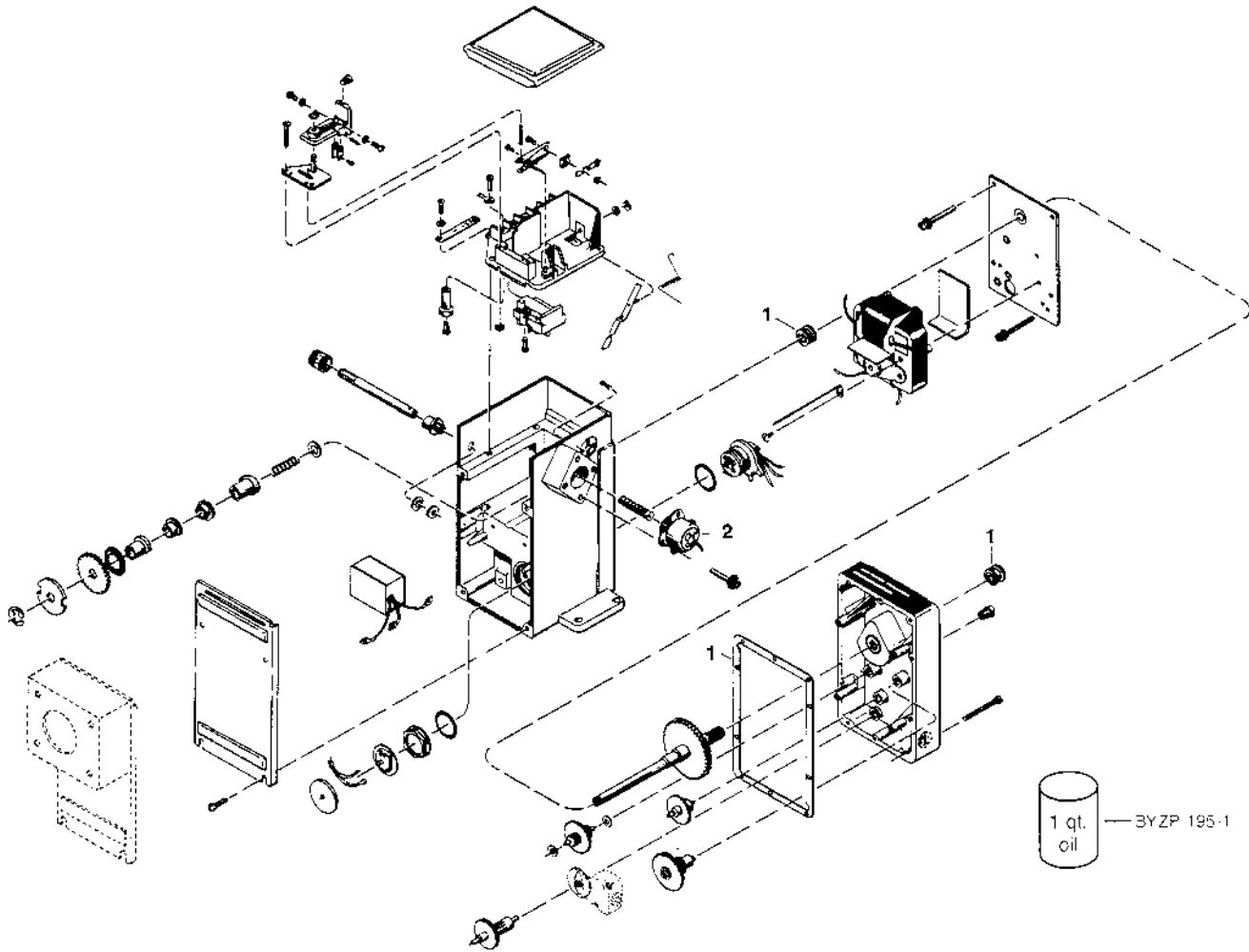
Actuators

Item No.	Part No.	Description
1	ADDA-907	Shaft seal and gasket kit

Item No.	Actuator No.	Thermal Element
2	MU-21302	DYDK-59-021
	MU-46104	DYDK-46-4
	MU-46105	DYDK-46-4
	MU-47102	DYDK-46-3
	MU-47302	DYDK-59-021
	MU-47312	DYDK-59-021
	MU-48102	DYDK-46-3
	MU-48103	DYDK-46-3
	MU-48104	DYDK-46-4
	MU-48105	DYDK-46-4
	MU-48302	DYDK-59-021

MU-21302
 MU-46104
 MU-46105
 MU-47102
 MU-47302
 MU-47312
 MU-48102
 MU-48103
 MU-48104
 MU-48105
 MU-48302

MAINTENANCE PARTS

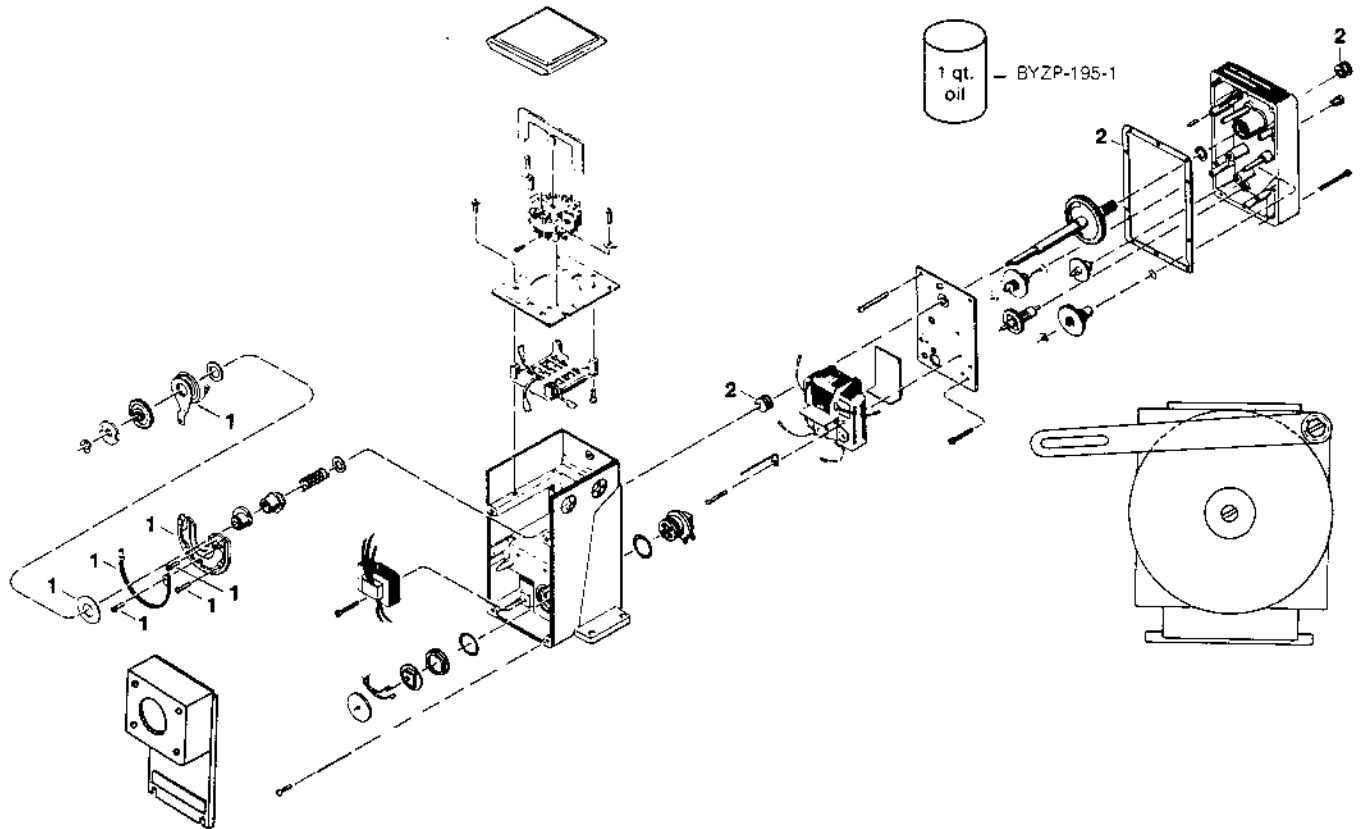


Actuator Assembly, Exploded View

Actuators

Item No.	Part No.	Description
1	ADDA-822-10	Potentiometer 270°, 100 ohm for MU-4080X-208-6-XX, MU-4770X-213-6-XX, MU-4790X-XXX-6-XX
	ADDA-902-2	Potentiometer 180°, 100 ohm for MU-4770X-000-6-XX face and bypass
2	ADDA-907	Shaft seal and gasket kit

MU-4080X-208-6-XX
 MU-4770X-000-6-XX
 MU-4770X-213-6-XX
 MU-4790X-XXX-6-XX

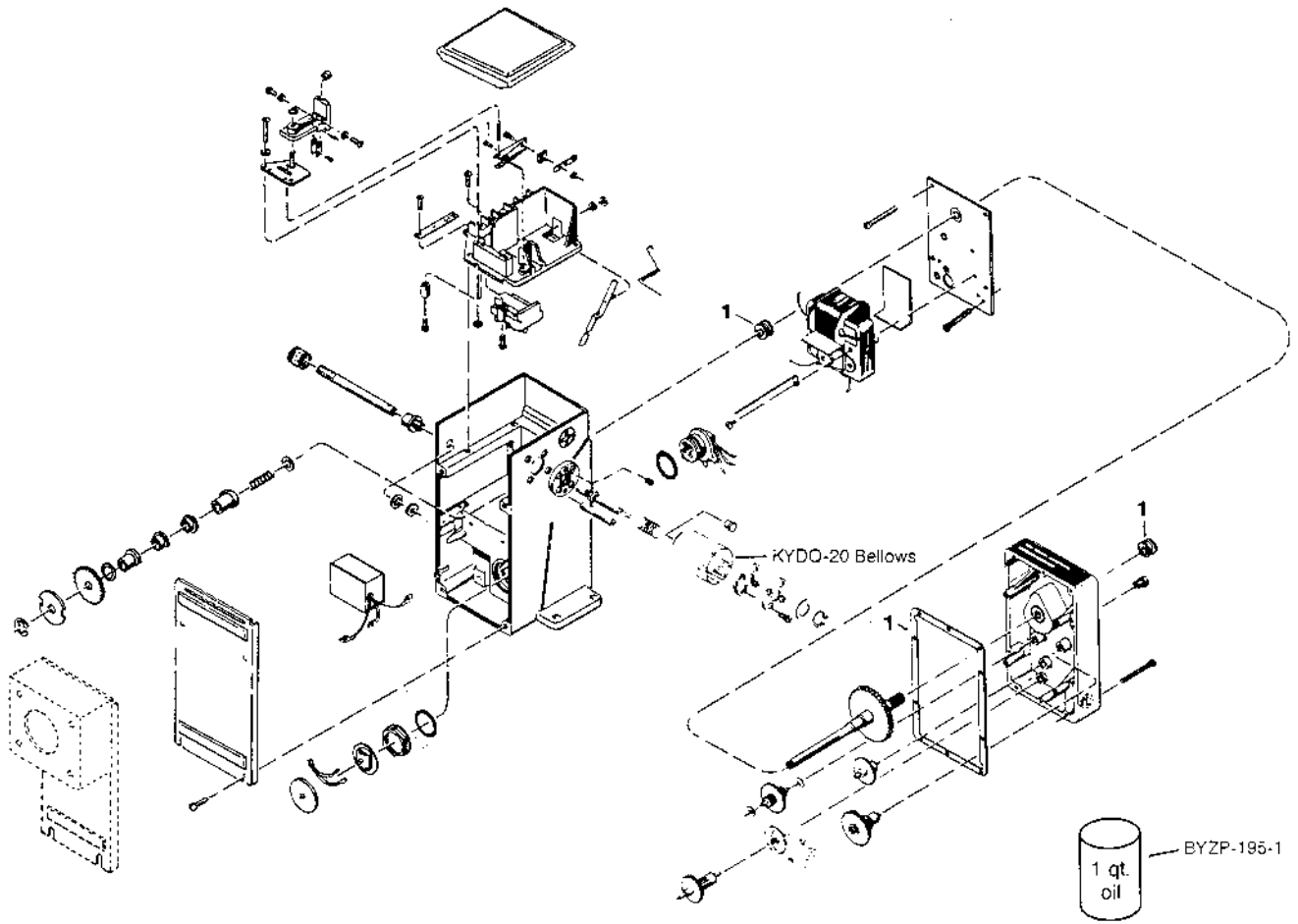


MAINTENANCE PARTS

Actuators

Item No.	Part No.	Description
1	ADDA-907	Shaft seal and gasket kit

MUP-48101
 MUP-48102
 MUP-48103
 MUP-48104
 MUP-48105
 MUP-48106
 MUP-48202
 MUP-48203
 MUP-48204



MAINTENANCE PARTS

Actuator Assembly, Exploded View

Actuators

THERMAL ELEMENT REPLACEMENT PARTS LIST for MU-4XXXX

Thermal Elements for Combination Temperature Actuators (Armored Capillary)

Actuator		Replacement Thermal Element						
Part Number	Unit Range °F	Bulb Style	Element Range °F	Letter Code	Maximum Temp. °F	Part Number 10' Capillary	Part Number 20' Capillary	Part Number 45' Capillary
MU-46102, 46502, 47102, 47502, 48102, 48202, 48502, 48602	10 to 90	Straight 3/8" x 9-1/2"	0 to 160	A	230	DYDK-46-3	DYDK-46-6	XYDK-636
MU-46103, 46503, 47103, 47503, 48103, 48203, 48503, 48603	50 to 130							
MU-46104, 46504, 47104, 47504, 48104, 48204, 48504, 48604	100 to 180							
MU-46105, 46505, 47105, 47505, 48105, 48205, 48505, 48605	150 to 230		90 to 250	C	320	DYDK-46-4	XYDK-812	XYDK-607
MU-46302, 47302, 48302, 48402, MU-21302	10 to 90	Averaging 3/16" x 52"	0 to 160	A	230	DYDK-59-021	DYDK-59-071	—
MU-46303, 47303, 48303, 48403	50 to 130							

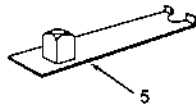
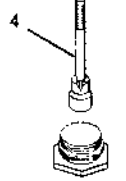
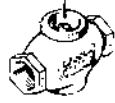
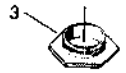
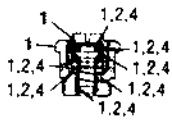
Thermal Elements for Unit Ventilator Actuators with Thermal Elements on the Actuator

Type Control	Description of Thermal Element	Part Number
Room control	Single discharge bulb	DYDK-96-12
Unit control	Dual bulb (discharge and return air)	DYDK-97-12

Valve/Electric-Pneumatic Relay

OYBB-233 Series

For Use With: VA-2402; VK-2454, VK-2455; VP-2452; VU-85, VU-2452;
OYBB-242, 257, 258, 259



OYBB-233

Valve Body Part No.	Size & Port	Complete Packing Cartridge	Packing Kit Less Cartridge	Mounting Nut	Valve Repair Kit† Includes Packing Stem & Plug Assm.*	Packing Wrench
	Item No.	1	2	3	4	5
OYBB-233-4	1/2" Port 4	YBA-622	YBA-635	YBA-514-1	RYB-233-4	TOOL-20
OYBB-233-7	3/4" Port 7	YBA-622	YBA-635	YBA-514-1	—	TOOL-20

†Instructions included with kit.

* For best results apply a light coating of silicone grease to valve stem and inside of packing cartridge.

Replacement coils.

Part Number	Description
K527-24	24 Vac coil
K527-24 DC	24 Vdc coil
K527-110	110 Vac coil
K527-230	208-240 Vac coil

R527 Series



MAINTENANCE PARTS

Controllers

RKS-1001
RKS-2001
RKS-3002
RKS-4002
RKSR-4000

AT-523-011 Relay Repair Kit

Item No.	Description	Quantity in Kit
14	Back Gasket	4
33	Pilot Diaphragm	1
35	Branch Diaphragm	1
47	Main Valve	1
50	Feed Back Diaphragm	1
54	Valve Spring	1
64	Filter	2
66	Filter	2
79	Pilot Spring	1

AT-523-020 Nozzle Kit

Item No.	Description	Quantity in Kit
20	Washer	2
21	Spring	1
39	Screw	2
56	D.A. Nozzle Bracket	1
57	D.A. Nozzle	1
65	Nut	1
67	"O" Ring	1

AT-524-010 Input Restriction Kit

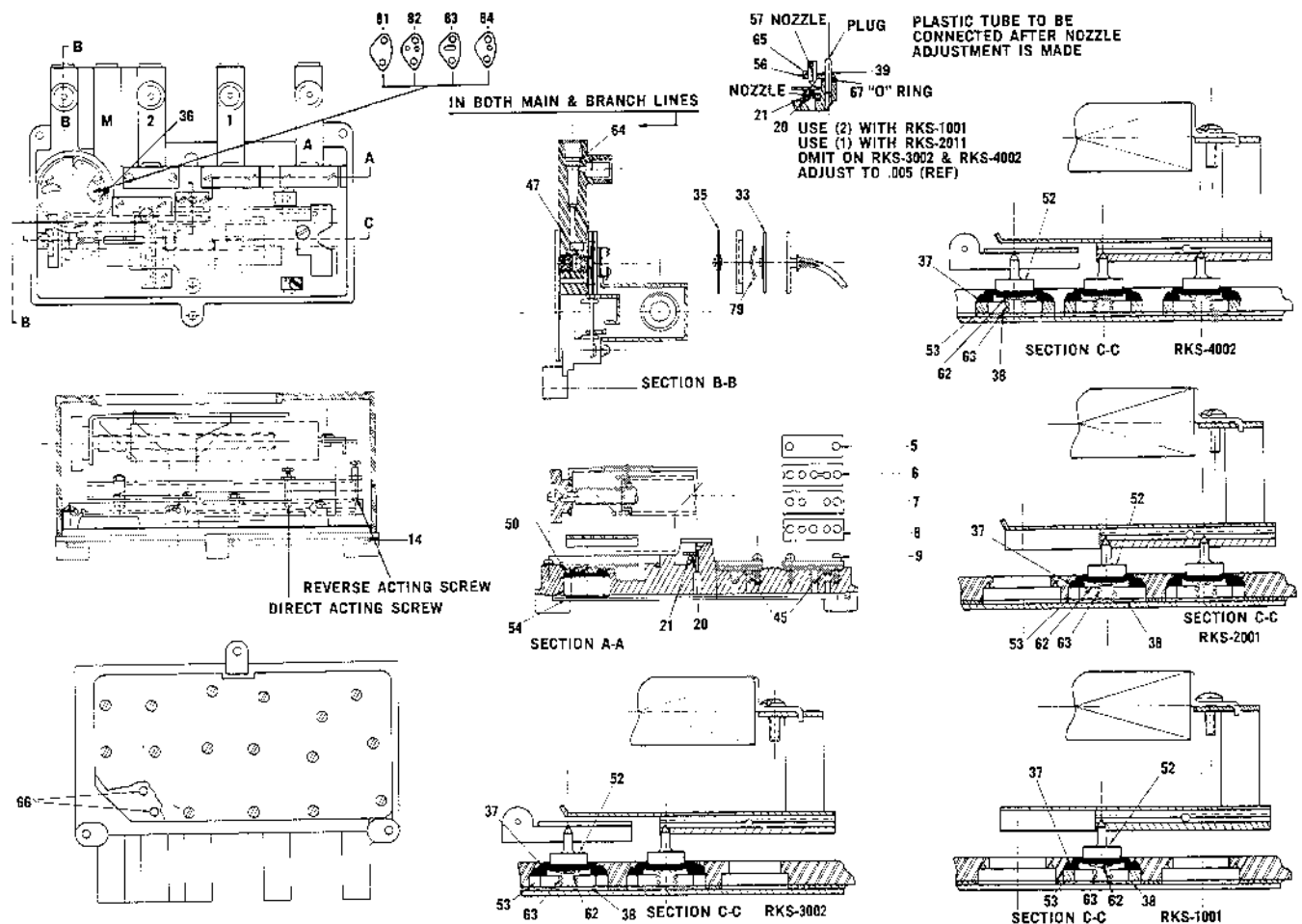
Item No.	Description	Quantity in Kit
5	Clamp Plate	1
6	Gasket	1
7	Restrictor Plate	1
8	Gasket	1
9	Screw	2
45	Filter	1

AT-523-030 Input Diaphragm Kit

Item No.	Description	Quantity in Kit
37	Diaphragm	3
38	Wave Spring	3
52	Piston	3
53	Spacer	3
62	Diaphragm Cup	3
63	Spring	3

AT-528 Pilot Restrictor Kit

Item No.	Description	Quantity in Kit
81	Clamp Plate	1
82	Gasket	1
83	Gasket	1
84	Restrictor Plate	1
36	Screw	2

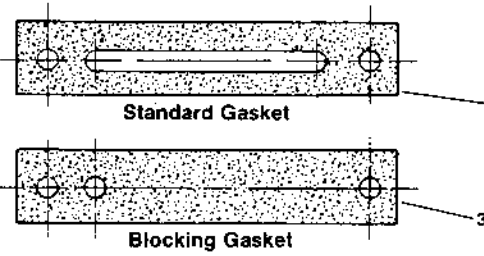
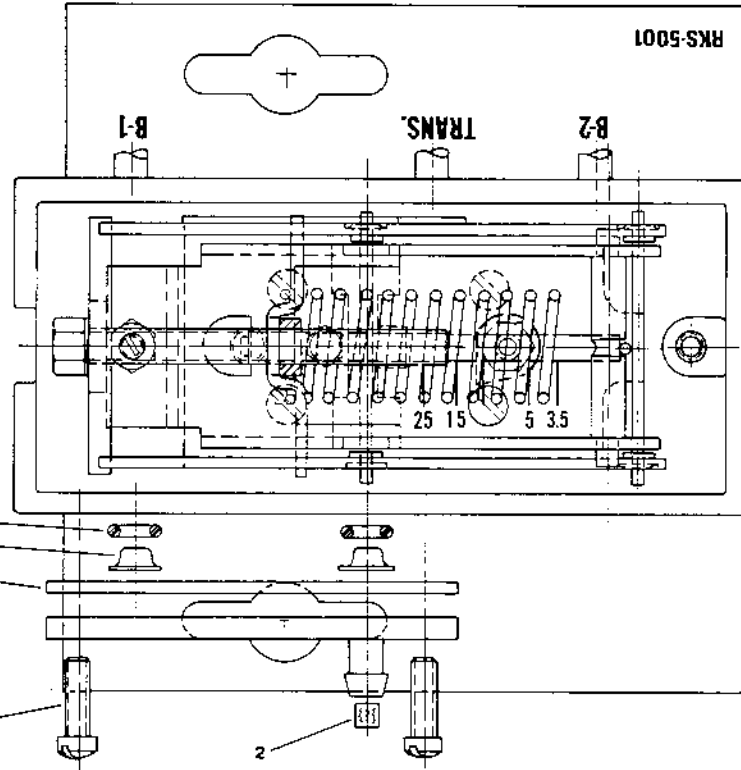


MAINTENANCE PARTS

Controllers

RKS-5001-0-1

Item No.	Part No.	Description	Qty. in Kit
1	AT-524-020	"O" Ring	2
		Restrictor Cup	2
		Standard Gasket	1
2	APNT-99	Filter	1
3	PNC-114	Blocking Gasket	1
4	BYRF-168	Screw	1



MAINTENANCE PARTS

Switches

Selector switches.

Part No.	Description
K550	Switch knob
K551	Lock nut



S510
S511
S520
S530
S540

Program switch assembly.

Item No.	Part No.	Description
1	CYZP-401	Switch



SP-4 thru SP-40
SP-10000 Series
SP-20000 Series
SP-30000 Series (except SP-36072)
SP-40000 Series

Thermostats

Part No.	Description	For Use with
6-441	Cover screw	All
6-534	1 mm feedback ball	T12, T13 only
6-535	1/16" feedback ball	All except T12, T13

T1X
T2X
T3X

Part No.	Description
100-50	R.A. sensor for T460 or T462. Grey in color. Transmits 12 to 4 psi from 65 to 85°F.
100-51	D.A. sensor for T461 and T463. Black in color. Transmits 4 to 12 psi from 65 to 85°F.
C13-42	Replacement cover
220-07	Mounting bracket

T460
T461
T462
T463

Contact covers.

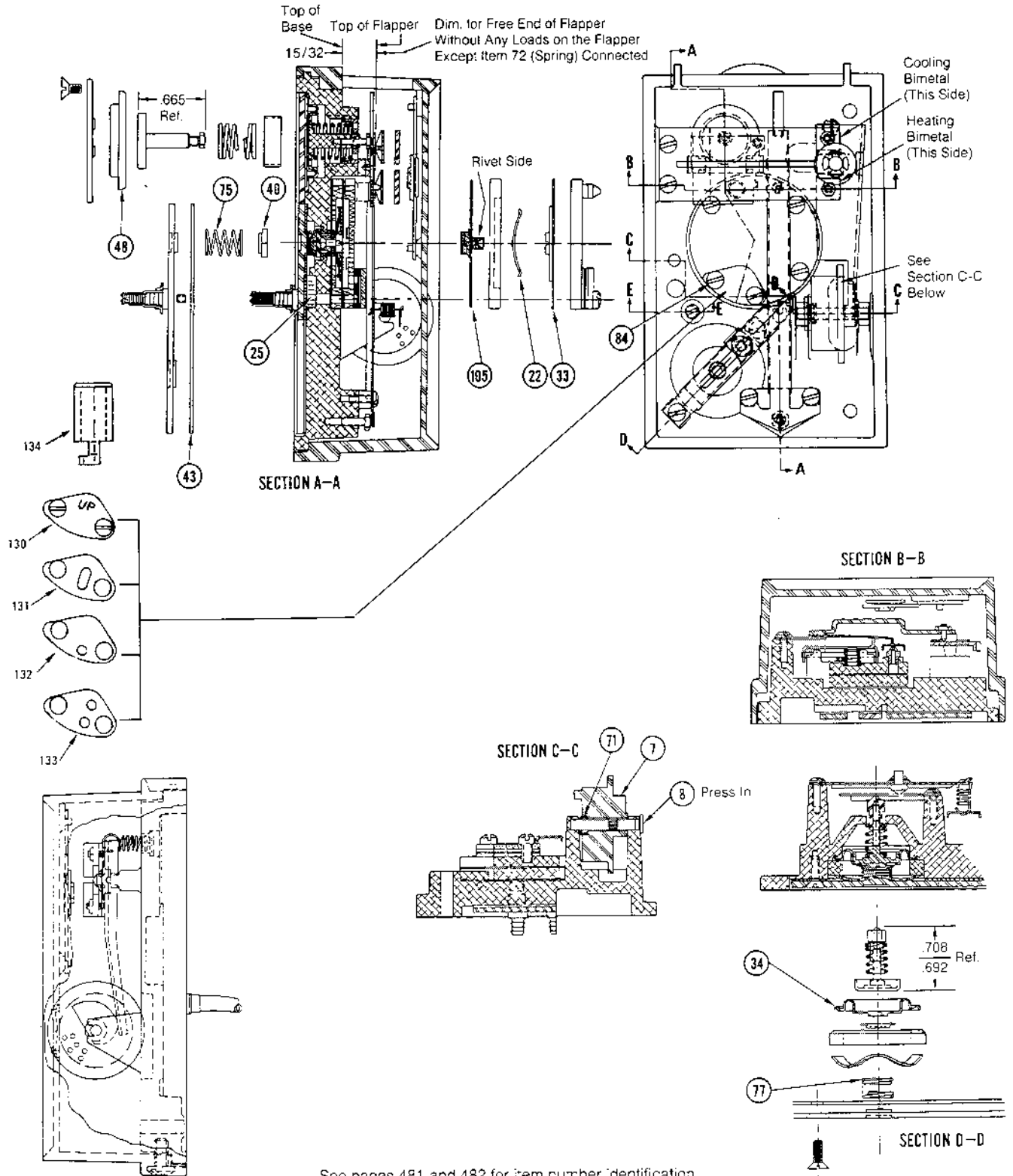
Part Number	Plastic Contact Cover
TA-101, TA-151, TA-115X	JYDA-73
TC-154, TC-164, TC-115X, TC-1161	
TP-101, TP-103, TP-101X, TP-103X, TP-101XX	
TPC-1XXXX	JYDA-73 requires (2)

TA-101
TA-1101
TP-1XX
TC-1XX
TC-115X
TC-116X
TP-10X
TP-10XX
TP-101XX
TPC-1XXXX

MAINTENANCE PARTS

Thermostats

TK-100X
TK-110X
TK-12X1
TKR-1001
TKR-1101

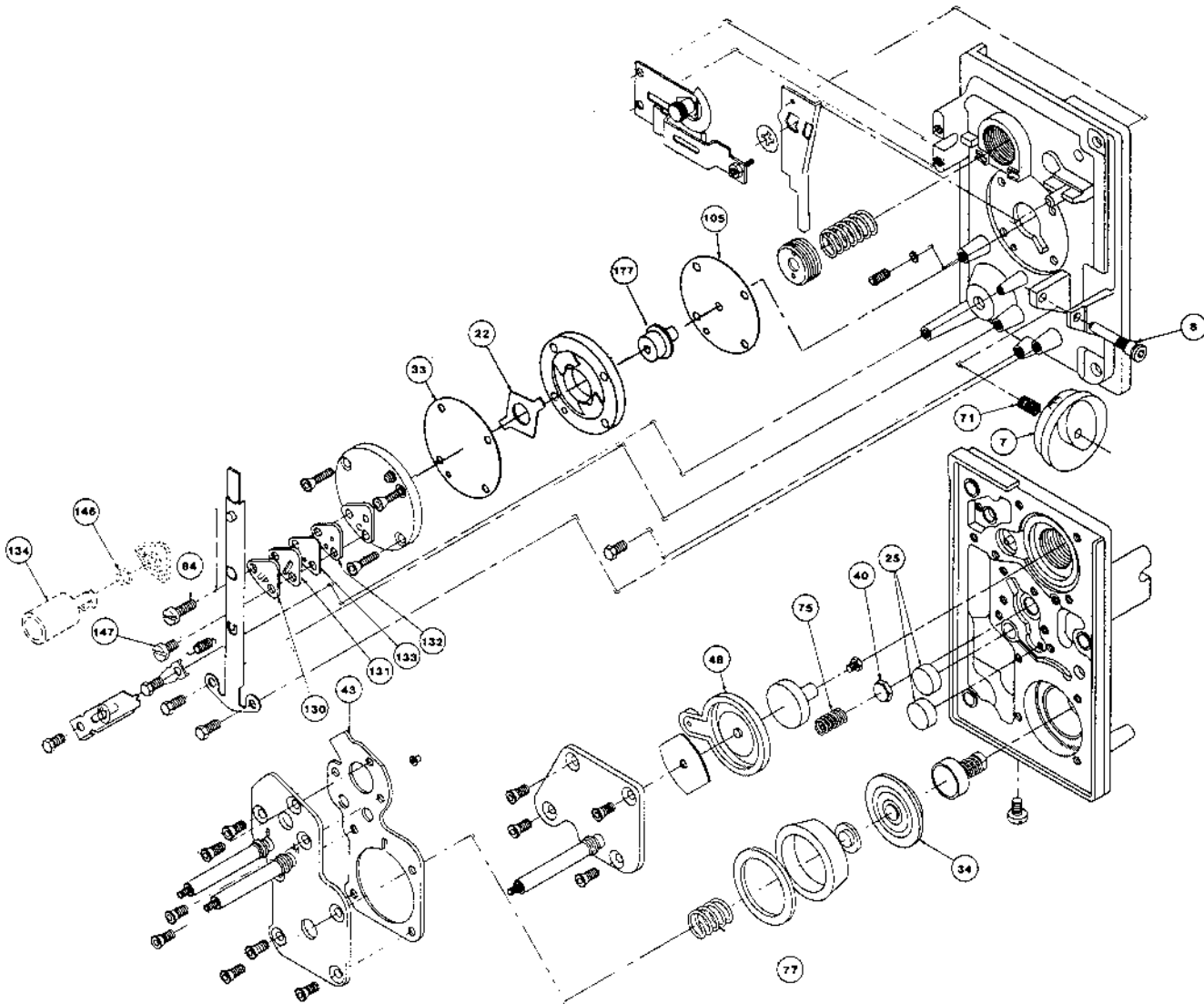


MAINTENANCE PARTS

See pages 481 and 482 for item number identification.

Thermostats

TK-1X7X

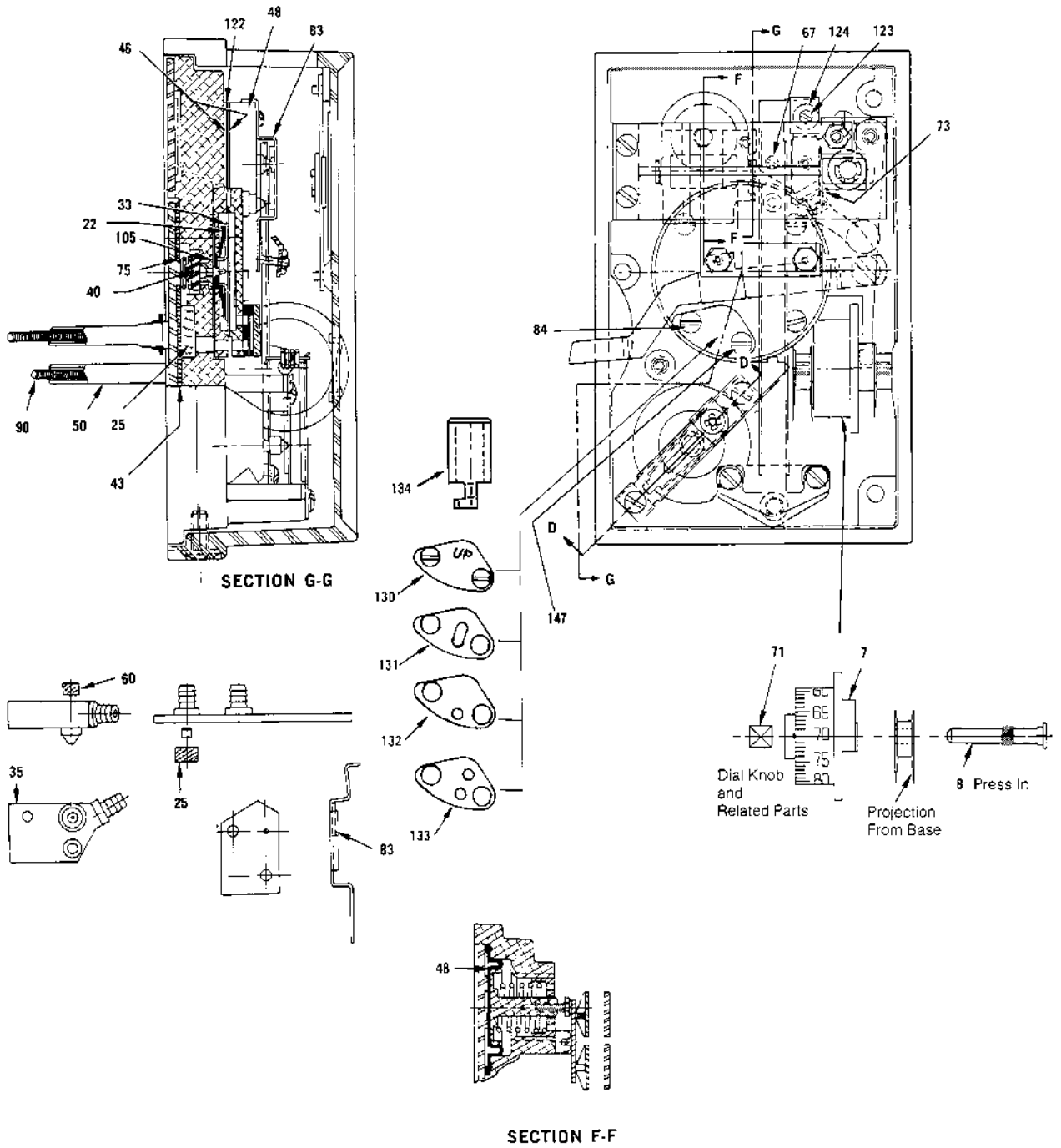


MAINTENANCE PARTS

See pages 481 and 482 for item number identification.

Thermostats

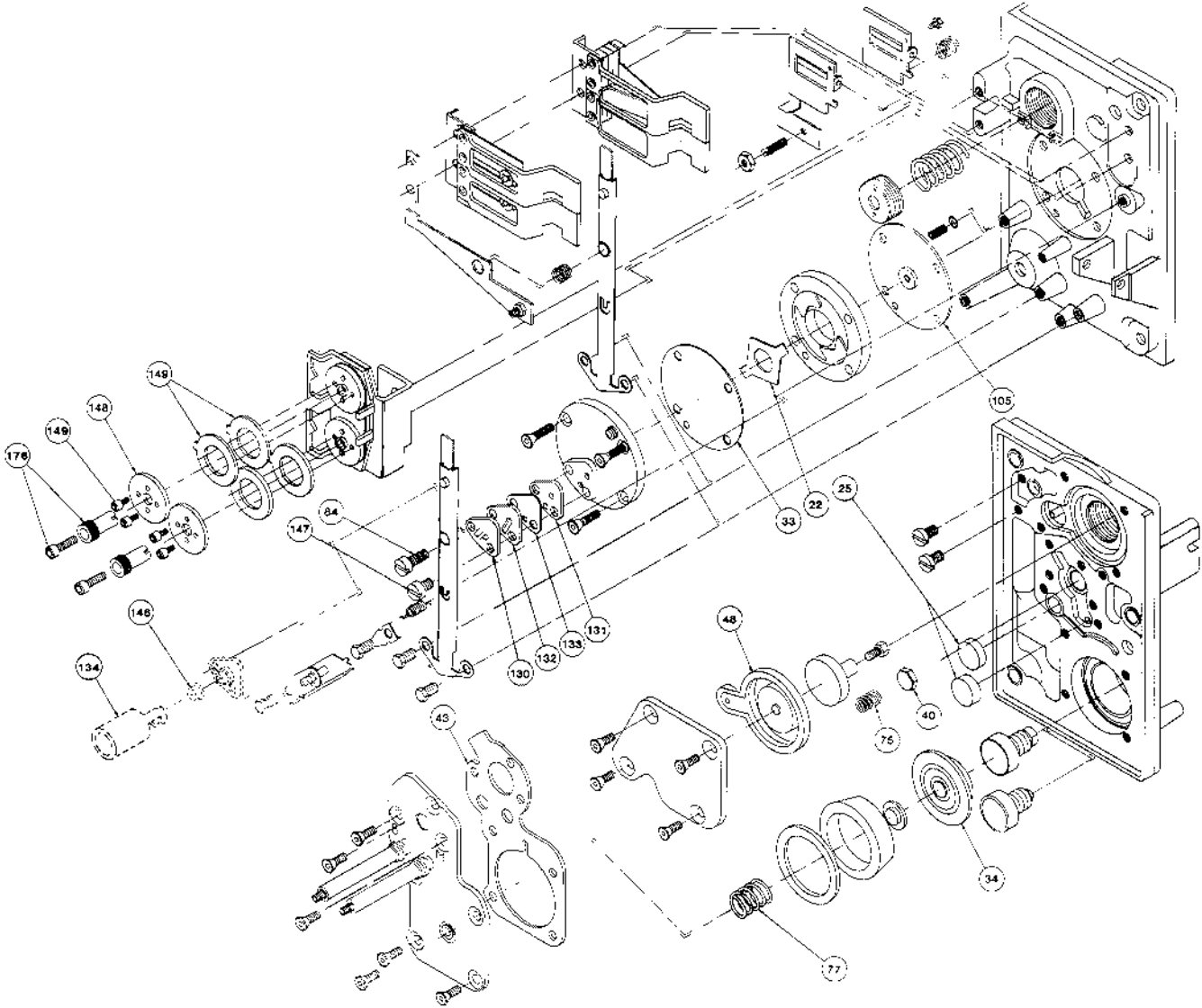
TK-13XX
TK-16XX



See pages 481 and 482 for item number identification.

Thermostats

TK-17XX
TK-18XX



MAINTENANCE PARTS

See pages 481 and 482 for item number identification.

Thermostats

AT-520-011-1 Relay Repair Kit

TOOL-115 (Torx T-8 screwdriver or offset wrench)

is required to install this kit for thermostats manufactured after 1-1-81.

Item No.	Quantity Used								Description	Quantity in Kit
	100X	110X	12X1	13XX	16XX	1X7X	17XX	18XX		
22	1	1	1	1	1	1	1	1	Pilot Diaphragm Spring	1
25	2	2	2	2	2	2	2	2	Main Filter, Branch Filter	2
33†	1	1	1	1	1	1	1	1	Pilot Diaphragm Assembly	1
34	1	1	1	1	1	1	1	1	Feedback Diaphragm	1
40	1	1	1	1	1	1	1	1	Main Valve Plug	1
43	1	1	1	1	1	1	1	1	Back Gasket	1
48	N/A	N/A	1	1	1	1	1	N/A	Switch Over Diaphragm	1
75	1	1	1	1	1	1	1	1	Main Valve Spring	1
77	1	1	1	1	1	1	1	1	Feedback Spring	1
105*†	1	1	1	1	1	1	1	1	Branch Diaphragm Assembly	1
177*†	1	1	1	1	1	1	1	1	Vent Nozzle	1

*Part numbers 105 and 177 were factory assembled as one part before 10-1-88.

†Part numbers 33, 105 and 177 must be replaced as a set.

AT-520-040 Replacement Setpoint Knob Kit

Item No.	Quantity Used						Description	Quantity in Kit
	100X	110X	12X1	13XX	16XX	1X7X		
7	2	2	2	2	2	2	Dial Knob	2
8	1	1	1	1	1	1	Dial Pin	1
71	1	1	1	1	1	1	Dial Spring	1

AT-521-010, TK-16XX Replacement Auxiliary Nozzle Kit

Item No.	Description	Quantity in Kit
35	Nozzle Block Assembly	1
83	Flapper Assembly	1
46	Restriction Gasket	2
50	Air Tube	1
60	Filter	1
73	Tube Clamp	1
122	Restrictor Plate	1
90	Air Tube Support Spring	1
67	Nozzle Block Mtg. Screw	1
123	Nozzle Block Mtg. Screw	1
124	Washer	1

PKG-1052 Mounting Hardware Kit for TK-17XX, TK-18XX

Description	Quantity in Kit
Mounting Bracket	1
External Setpoint Knobs	2
Setpoint Knob Screws	2
Thermostat Mounting Screws	3
Mounting Bracket Mounting Screws	2

PKG-1019 Mounting Hardware Kit

Quantity Used						Description	Quantity in Kit
100X	110X	12X1	13XX	16XX	1X7X		
1	1	1	1	1	1	Mounting Bracket	1
2	2	2	2	2	2	Dial Pins	2
3	3	3	3	3	3	Thermostat Mtg. Screw	3
2	2	2	2	2	2	Mtg. Bracket Mtg. Screw	2

MAINTENANCE PARTS

Thermostats

AT-527 Pilot Restrictor Kit for Aspirated (-600) Models

Item No.	Quantity Used								Description	Quantity in Kit
	100X	110X	12X1	13XX	16XX	1X7X	17XX	18XX		
130	1	1	1	1	1	1	1	1	Clamp Plate	1
131	1	1	1	1	1	1	1	1	Gasket	1
132	1	1	1	1	1	1	1	1	Gasket	1
133	1	1	1	1	1	1	1	1	Restrictor Plate	1
134	1	1	1	1	1	1	1	1	Aspirating Tube	1
146	1	1	1	1	1	1	1	1	Aspirating Restrictor Cup	1
84	1	1	1	1	1	1	1	1	Screw	1
147	1	1	1	1	1	1	1	1	Screw	1

AT-528 Pilot Restrictor Kit for Non-Aspirated Models

Item No.	Quantity Used								Description	Quantity in Kit
	100X	110X	12X1	13XX	16XX	1X7X	17XX	18XX		
130	1	1	1	1	1	1	1	1	Clamp Plate	1
131	1	1	1	1	1	1	1	1	Gasket	1
132	1	1	1	1	1	1	1	1	Gasket	1
133	1	1	1	1	1	1	1	1	Restrictor Plate	1
84	1	1	1	1	1	1	1	1	Screw	1
147	1	1	1	1	1	1	1	1	Screw	1

TK-17XX, TK-18XX Setpoint Scale Replacement Kits

Item No.	Description	Part No.	Quantity in Kit
148	Setpoint Scale 45-75°F (7-24°C)	APNT-941-10	1
148	Setpoint Scale 75-45°F (24-7°C)	APNT-941-20	1
148	Setpoint Scale 55-85°F (13-29°C)	APNT-941-30	1
148	Setpoint Scale 85-55°F (29-13°C)	APNT-941-40	1
148	Setpoint Scale 75-105°F (24-41°C)	APNT-941-50	1
148	Setpoint Scale 105-75°F (41-24°C)	APNT-941-60	1
148	Setpoint Scale 35-65°F (2-18°C)	APNT-941-70	1
148	Setpoint Scale 65-35°F (18-2°C)	APNT-941-80	1
149	Dial Stops and Screws	AT-35	25 ea.
176	External Dial Adjustment Kits	AT-37	25 ea.

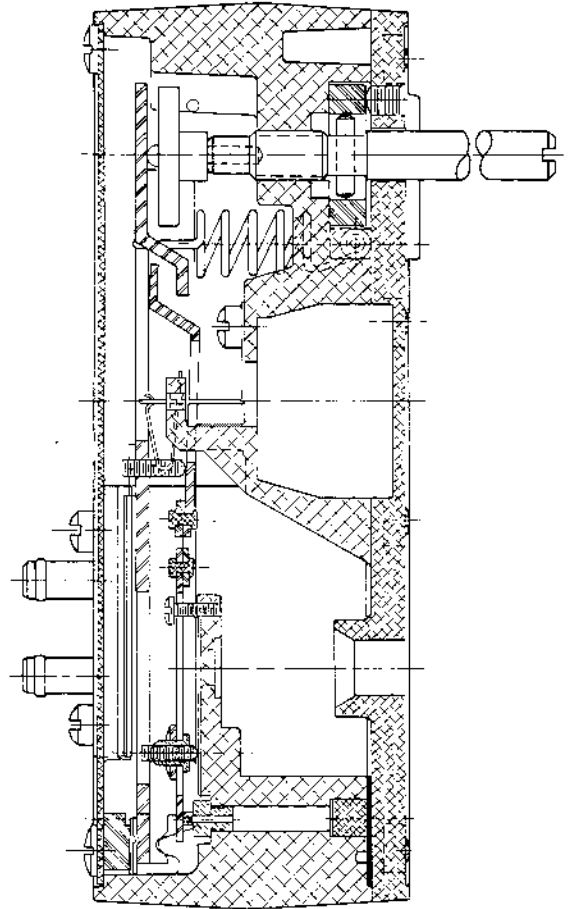
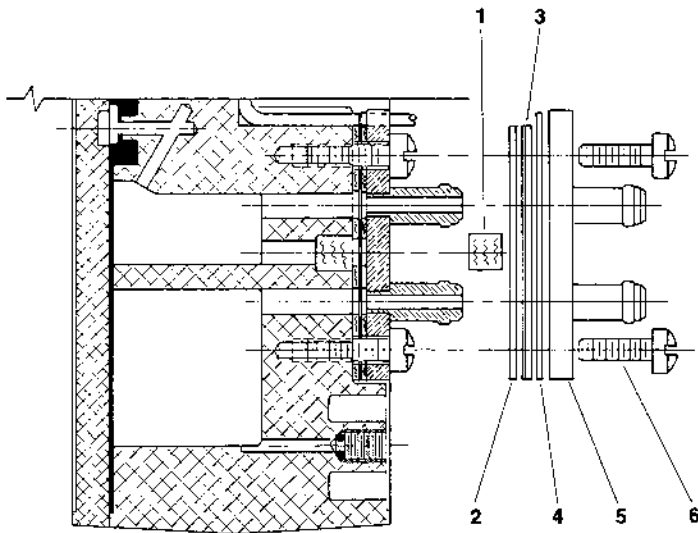
MAINTENANCE PARTS

Thermostats

AT-529 Restrictor Kit

Item No.	Description	Quantity in Kit
1	Filter	2
2	Restrictor Gasket	1
3	Restrictor	1
4	Restrictor Gasket	1
5	Air Connector	1
6	Screws	2

TK-2XXX
TK-3XXX
TK-4XXX



Thermostats

AT-520-011 Relay Repair Kit

Item No.	Quantity in Kit	Description
3	1	Branch Diaphragm
18	1	Main Valve
19	1	Valve Spring
21	1	Branch Filter
22	1	Pilot Diaphragm Spring
23	1	Gasket
26	1	Main Filter
27	1	Pilot Diaphragm Assembly
61	1	Gasket
65	1	Feedback Diaphragm
67	1	Feedback Spring

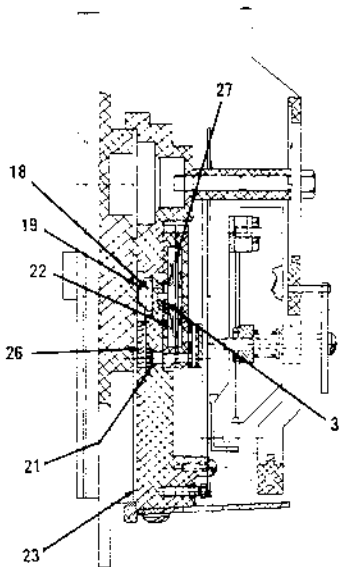
Thermal Elements 6' Capillary

100	1	DYDK-99-011 (Used on TK-6000)
100	1	DYDK-77-031 (Used on TK-8000)

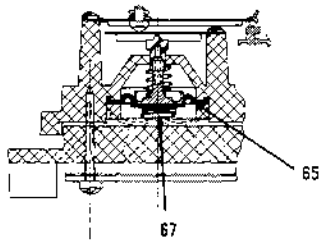
AT-528 Pilot Restrictor Kit

Item No.	Quantity in Kit	Description
110	1	Clamp Plate
111	1	Gasket
112	1	Gasket
113	1	Restrictor Plate
79	2	Screws

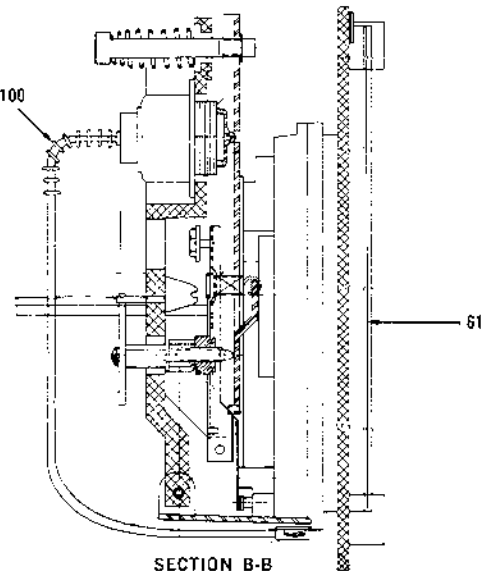
TK-6024
TK-6124
TK-8024
TK-8124



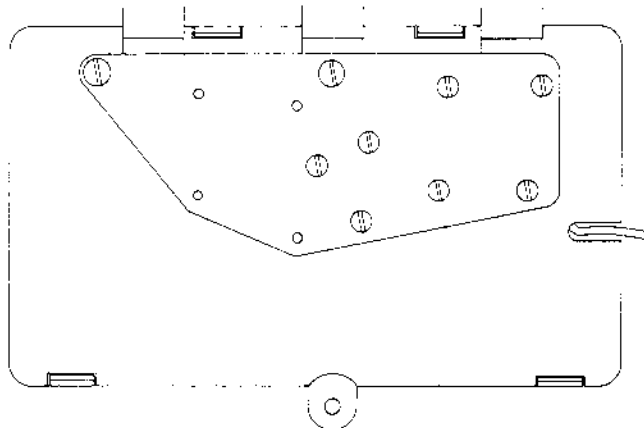
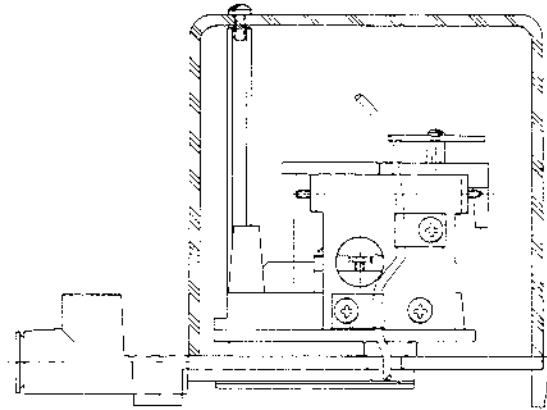
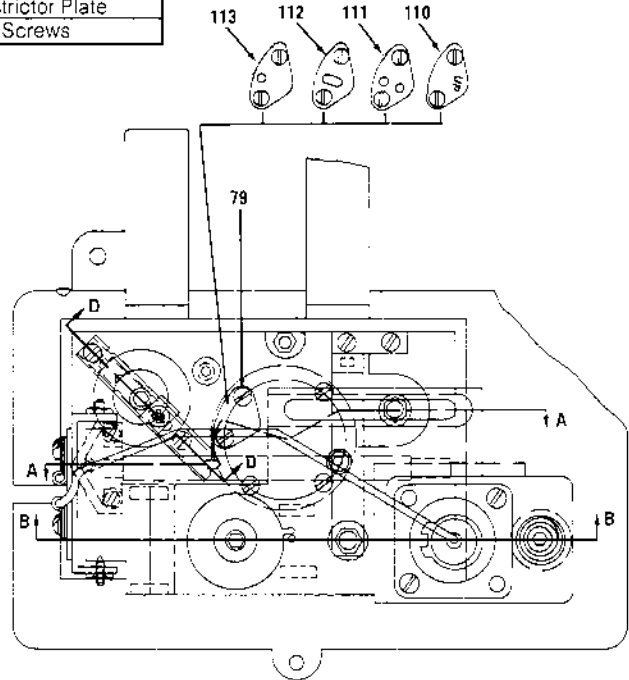
SECTION A-A



SECTION D-D



SECTION B-B



MAINTENANCE PARTS

Thermostats

REPLACEMENT THERMAL ELEMENTS for TC-2XX, 3XX, 4XX; TK-6XXX, 7XXX, 8XXX; TP-2XX, 3XX, 4XX

Thermal Element Letter Code Identification (located on bellows cup)

Letter Code	Range °F	Letter Code	Range	Letter Code	Range °F
A	0-160	E	1:1 ratio	M	-40--120
B	50-210	G	1:1-1/2 ratio	O	50-280
C	90-250	H	1-1/2:1 ratio	P	120-280
D	190-350	J	3-1/2:1 ratio	R	-40-280
		K	12:1 ratio		

Thermal Elements for Bulb Thermostats with Plain Capillary

Control		Replacement Thermal Element							
Part Number	Unit Range °F	Bulb Style	Element Range °F	Letter Code	Maximum Temp. °F	Part Number 6' Capillary	Part Number 20' Capillary		
TP-201 TC-201 TC-251 TC-281	-40 to 40	Straight 3/8" x 9-1/2"	-40 to 120	M	190	DYDK-36-1	XYDK-938		
TK-6XX5 Series	-20 to 120								
TK-6024 TK-6124	-20 to 240		-40 to 280	R	310	DYDK-99-11	—		
TP-202 TC-202 TC-252 TC-282	10 to 90		0 to 160	A	230	DYDK-36-2	DYDK-36-9		
TP-209 TP-203 TC-203 TC-253	50 to 130								
TP-204 TC-204	100 to 180								
TP-205 TC-205	150 to 230		90 to 250	C	320	DYDK-36-3	XYDK-808		
TK-6XX7 Series	100 to 240								
TP-301 TC-301	-40 to 40		Coiled 3/4" x 7-1/2"	-40 to 120	M	190	DYDK-22-031	—	
TK-7XX5 Series	-20 to 120								
TP-302 TC-302	10 to 90	0 to 160		A	230	DYDK-22-011	DYDK-22-051		
TP-303 TC-303 TP-307	50 to 130								
TP-304 TC-304	100 to 180								
TP-305 TC-305	150 to 230	90 to 250		C	320	DYDK-22-021	XYDK-674-1		
TK-7XX7 Series	100 to 240								
TP-401 TC-401	-40 to 40	Averaging 3/16" x 52"		-40 to 120	M	190	DYDK-59-041	XYDK-1087-1	
TK-8XX5 Series	-20 to 120								
TK-8024 TK-8124	-20 to 240			-40 to 280	R	310	DYDK-77-31	DYDK-77-20	
TP-402 TC-402	10 to 90		0 to 160	A	230	DYDK-59-011	DYDK-59-061		
TP-403 TC-403	50 to 130								
TP-404 TC-404	100 to 180								
TP-405 TC-405	150 to 230		90 to 250	C	320	XYDK-814-1	—		
TK-8XX7 Series	100 to 240								

MAINTENANCE PARTS

CONTINUED ON NEXT PAGE

Thermostats

Continued from preceding page.

REPLACEMENT THERMAL ELEMENTS for TC-2XX, 3XX, 4XX; TP-2XX, 3XX, 4XX

Thermal Elements for Bulb Thermostats with Armored Capillary

Control		Replacement Thermal Element						
Part Number	Unit Range °F	Bulb Style	Element Range °F	Letter Code	Maximum Temp. °F	Part Number 10' Capillary	Part Number 20' Capillary	Part Number 45' Capillary
TP-221 TC-221 TC-271	0 to 160	Straight 3/8" x 9-1/2"	0 to 160	A	230	DYDK-46-3	DYDK-46-6	XYDK-636
TP-222 TC-222 TC-272	90 to 250		90 to 250	C	320	DYDK-46-4	XYDK-812	XYDK-607
TP-223 TC-223 TC-273	190 to 350		190 to 350	D	420	DYDK-46-5	XYDK-905	—
TP-321 TC-321 TC-371	0 to 160	Coiled 3/4" x 7-1/2"	0 to 160	A	230	DYDK-45-011	XYDK-913-1	—
TP-322 TC-322 TC-372	90 to 250		90 to 250	C	320	DYDK-45-021	XYDK-674-1	XYDK-1016-1
TP-233 TC-323	190 to 350		190 to 350	D	420	DYDK-45-031	XYDK-843-1	—
TP-421 TC-421	0 to 160	Averaging 3/16" x 52"	0 to 160	A	230	DYDK-59-021	DYDK-59-071	—
TP-422 TC-422	90 to 250		90 to 250	C	320	DYDK-59-031	XYDK-833-1	XYDK-557-1

Thermal Elements for Bulb Thermostats with Dual Bulbs

Control		Replacement Thermal Element				
Part Number	Ratio	Letter Code	Capillary	Inside Bulb	Outside Bulb	Part Number
TP-231 TC-231 TC-261	1 to 1-1/2	G	30' out 15' in	3/8" x 8-1/4"	3/8" x 11-1/4"	DYDK-39-2
TP-232 TC-232 TC-262	1 to 1	E	30' out 15' in	3/8" x 9-1/2"	3/8" x 9-1/2"	DYDK-38-1
TP-233 TC-233 TC-263	1-1/2 to 1	H	30' out 15' in	3/8" x 11-1/4"	3/8" x 8-1/4"	DYDK-39-1
TP-332	1 to 1	E	15' ea.	Coiled 3/4" dia.	3/8" x 9-1/2"	DYDK-60-011
TP-333	1-1/2 to 1	H			3/8" x 8"	DYDK-61-011
TP-335	3-1/2 to 1	J			1/4" x 7"	DYDK-63-011
TP-338	12 to 1	K	3' return, 4' discharge	Discharge air 5/8" dia. coiled	Return air 3/4" dia. coiled	DYDK-85-012
TP-431	1 to 1-1/2	G	15' ea.	Long 3/16" dia.	3/8" x 9-1/2"	XYDK-596-1
TP-432	1 to 1	E			3/8" x 8"	XYDK-803-1
TP-433	1-1/2 to 1	H			3/8" x 6-1/4"	XYDK-825-1
TP-435	3-1/2 to 1	J			1/4" x 6"	XYDK-566-1

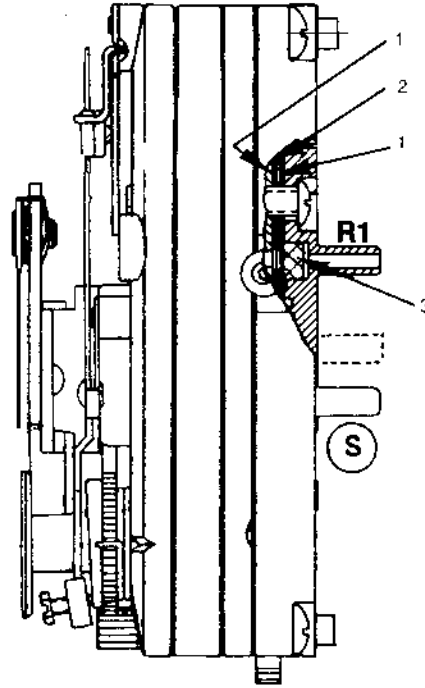
MAINTENANCE PARTS

Thermostats

AT-525-4 replacement restrictor kit (package of 10 sets).

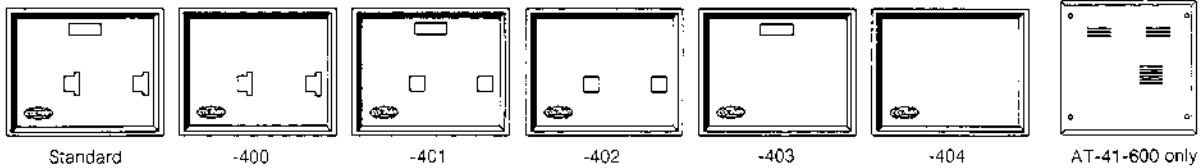
TK-9X01-0-0-1

Item No.	Description
1	Upper and lower gaskets (2)
2	Restrictor
3	Filters (2)

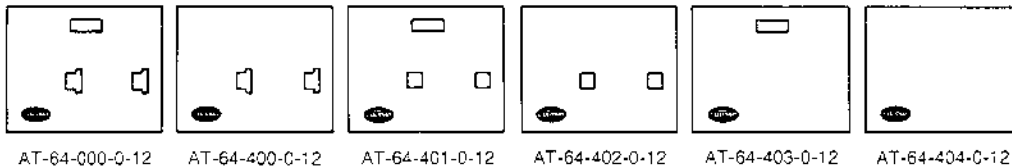


Typical of: AT-41, AT-42 covers

TK-1XXXX
TK-5XXXX



Typical of: AT-64 cover plates (in packages of 12) brushed bronze



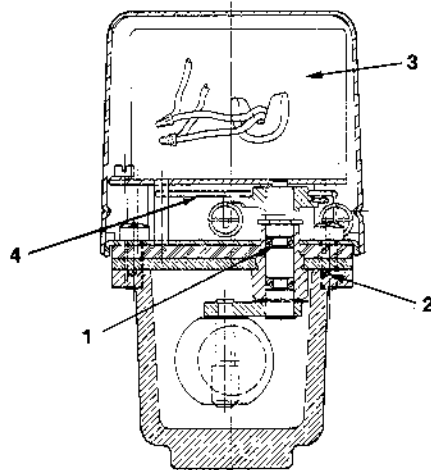
Part No.	Standard	-400	-401	-402	-403	-404	Aspirated Metal Cover	Mounting Hardware Kits for Non-aspirated
	Plastic Cover (Cover Plate*)	Plastic Cover (Cover Plate*)	Plastic Cover (Cover Plate*)	Plastic Cover (Cover Plate*)	Plastic Cover (Cover Plate*)	Plastic Cover (Cover Plate*)		
TK-10XXX, TK-11XXX, TK-50XXX, TK-51XXX	AT-41 (AT-64-000-0-12)	AT-41-400 (AT-64-400-12)	AT-41-401 (AT-64-401-12)	AT-41-402 (AT-64-402-12)	AT-41-403 (AT-64-403-12)	AT-41-404 (AT-64-404-12)	AT-41-600	AT-40
TK-13XXX, TK-14XXX	AT-42 (AT-64-000-0-12)	AT-42-400 (AT-64-400-12)	AT-42-401 (AT-64-401-12)	AT-42-402 (AT-64-402-12)	AT-42-403 (AT-64-403-12)	AT-42-404 (AT-64-404-12)		

For aspirating type TK-XXXXX-600 an AT-510 aspirating box must be ordered separately.

MAINTENANCE PARTS

Valve

Item No.	Part No.	Description
1	BYRZ-194	"O" Ring (2 required per valve)
2	BYRZ-195	"O" Ring
3	CDFC-38-10	Motor, 24 Vac 50/60 Hz
	CDFC-38-20	Motor, 120 Vac 50/60 Hz
	CDFC-38-30	Motor, 240 Vac 50/60 Hz
4	CDFC-52	Quadrant Gear Lever



VA-1203
VA-1403
VA-3203
VA-3403

VB-111 Series Union End Valves

For Use With: VA-11, VA-1100, VA-1102, VA-1112;
VK-1114, VK-1115; VP-1112; VU-84, VU-1112;
YBA-530, 531, 532, 533, 541, 542, 543, 544,
565, 566, 567, 568, 569, 570

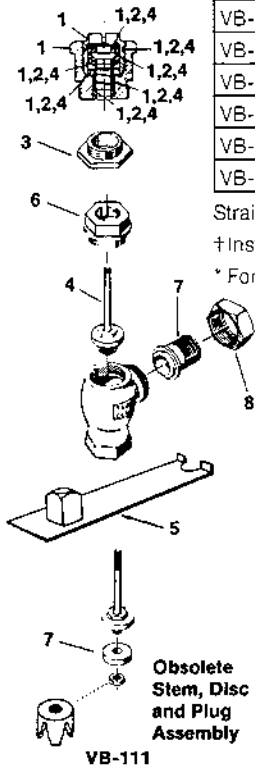
Valve Body Part No.	Size & Port	Cartridge & Packing Assm.	Packing Kit Less Cartridge	Actuator Mounting Nut	Valve Repair Kit† Includes Packing Stem & Plug Assm.*	Packing Wrench	Bonnet	Tailpiece	Union Nut
	Item No.	1	2	3	4	5	6	7	8
VB-111-0-X-1	½" Port 1	YBA-622	YBA-635	YBA-514-1	RYB-111-1	TOOL-20	YBA-516-1	YBA-525-4	YBA-526-4
VB-111-0-X-2	½" Port 2	YBA-622	YBA-635	YBA-514-1	RYB-111-2	TOOL-20	YBA-516-1	YBA-525-4	YBA-526-4
VB-111-0-X-3	½" Port 3	YBA-622	YBA-635	YBA-514-1	RYB-111-3	TOOL-20	YBA-516-1	YBA-525-4	YBA-526-4
VB-111-0-X-4	½" Port 4	YBA-622	YBA-635	YBA-514-1	RYB-111-4	TOOL-20	YBA-516-1	YBA-525-4	YBA-526-4
VB-111-0-X-5	¾" Port 5	YBA-622	YBA-635	YBA-514-1	RYB-111-5	TOOL-20	YBA-516-1	YBA-525-7	YBA-526-7
VB-111-0-X-6	¾" Port 6	YBA-622	YBA-635	YBA-514-1	RYB-111-6	TOOL-20	YBA-516-1	YBA-525-7	YBA-526-7
VB-111-0-X-7	1" Port 7	YBA-622	YBA-635	YBA-514-1	RYB-111-7	TOOL-20	YBA-528	YBA-525-8	YBA-526-8
VB-111-0-X-8	1" Port 8	YBA-622	YBA-635	YBA-514-1	RYB-111-8	TOOL-20	YBA-528	YBA-525-8	YBA-526-8
VB-111-0-X-9	1¼" Port 9	YBA-622	YBA-635	YBA-514-1	RYB-111-9	TOOL-20	YBA-528	YBA-525-9	YBA-526-9

Straightway X = 4 Angle X = 3

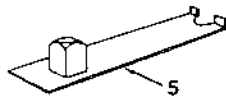
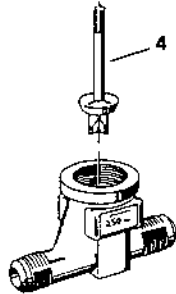
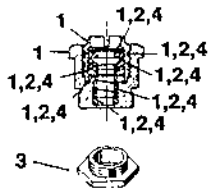
† Instructions included with kit.

* For best results apply a light coating of silicone grease to valve stem and inside of packing cartridge.

MAINTENANCE PARTS



Valve



VB-121

VB-121 Series SAE Flared Valves

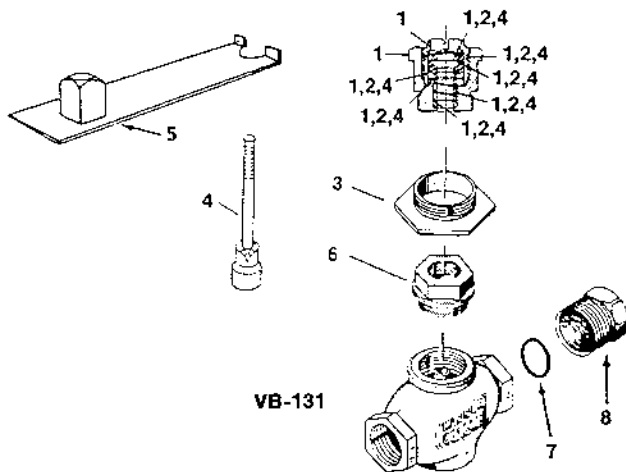
For Use With: VA-12, VA-1210, VA-1212;
VK-1214, VK-1215; VP-1212; VU-86, VU-1212;
YBA-546, 571, 572, 573, 574, 575,
576, 585, 586, 588, 589, 590, 591

Valve Body Part No.	Size & Port	Cartridge & Packing Assembly	Packing Kit† Less Cartridge	Actuator Mounting Nut	Valve Repair Kit† Includes Packing Stem & Plug Assm.*	Packing Wrench
	Item No.	1	2	3	4	5
VB-121-0-X-1	1/2" Port 1	YBA-622	YBA-635	YBA-514-1	RYB-121-1	TOOL-20
VB-121-0-X-2	1/2" Port 2	YBA-622	YBA-635	YBA-514-1	RYB-121-2	TOOL-20
VB-121-0-X-3	1/2" Port 3	YBA-622	YBA-635	YBA-514-1	RYB-121-3	TOOL-20

Straightway X = 4 Angle X = 3

Packing can be used to repack all valves of this type with 1/4" dia. valve stems. Instructions included with kit.

* For best results apply a light coating of silicone grease to valve stem and inside of packing cartridge.



VB-131

VB-131 Series Inverted Flare Valves

For Use With: VA-1300, VA-1302, VA-1312;
VK-1314, VK-1315;
VP-1312, VU-1312;
DYBB-208, 209, 268, 282, 306, 307, 308,
309, 310, 311;
YBA-595, 596, 597, 602, 603, 604, 605,
606, 607, 608, 609, 610

Valve Body Part No.	Valve Body Description	Cartridge & Packing Assembly	Packing Kit† Less* Cartridge	Actuator Mounting Nut	Valve Repair Kit† Includes Packing Stem & Plug Assm.*	Packing Wrench	Bonnet	"O" Ring	Mating Inverted Flare Nut (Not Included with Valve)
	Item No.	1	2	3	4	5	6	7	8
VB-131-1-4-1	Stwy. N.O.	YBA-622	YBA-635	YBA-514-1	RYB-131-1	TOOL-20		BYRZ-117	DYBB-249
VB-131-1-4-2	Stwy. N.O.	YBA-622	YBA-635	YBA-514-1	RYB-131-2	TOOL-20		BYRZ-117	DYBB-249
VB-131-1-4-3	Stwy. N.O.	YBA-622	YBA-635	YBA-514-1	RYB-131-3	TOOL-20		BYRZ-117	DYBB-249
VB-131-1-4-5	Stwy. N.O.	YBA-622	YBA-635	YBA-514-1	RYB-131-5	TOOL-20	YBA-516-1	BYRZ-110	DYBB-251
VB-131-1-4-6	Stwy. N.O.	YBA-622	YBA-635	YBA-514-1	RYB-131-6	TOOL-20	YBA-516-1	BYRZ-110	DYBB-251
VB-131-2-4-4	Stwy. N.C.	YBA-622	YBA-635	YBA-514-1	RYB-314-4	TOOL-20		BYRZ-117	DYBB-249
VB-131-2-4-7	Stwy. N.C.	YBA-622	YBA-635	YBA-514-1	RYB-314-7	TOOL-20		BYRZ-110	DYBB-251
VB-131-1-3-4	Angle N.O.	YBA-622	YBA-635	YBA-514-1	RYB-314-4	TOOL-20		BYRZ-117	DYBB-249
VB-131-1-3-7	Angle N.O.	YBA-622	YBA-635	YBA-514-1	RYB-314-7	TOOL-20		BYRZ-110	DYBB-251
VB-131-2-3-4	Angle N.C.	YBA-622	YBA-635	YBA-514-1	RYB-314-4	TOOL-20		BYRZ-117	DYBB-249
VB-131-2-3-7	Angle N.C.	YBA-622	YBA-635	YBA-514-1	RYB-131-7	TOOL-20		BYRZ-110	DYBB-251

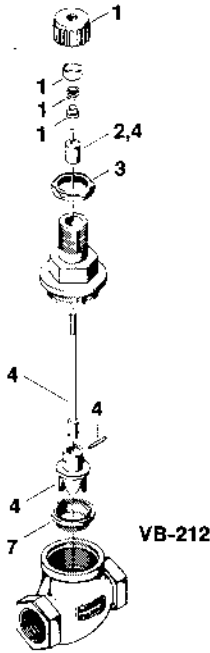
† Instructions included with kit.

* For best results apply a light coating of silicone grease to valve stem and inside of packing cartridge.

Valve

VB-212 Series Two-Way S/S Trim Valves

For Use With: VA-2101, VA-2121; VC-21-100, VC-21-300, VC-21-600, VC-2104, VC-2106, VC-2107, VC-2124; VK-2125, VK-2127; VP-83, VP-2124; VU-2124; OYBB-113, 114, 119, 120



Valve Body Part No.	Size & Port	Packing Gland Nut and Follower Kit	Packing	Bracket Nut	Valve Repair Kit† Includes Packing Stem & Plug Assm.	Removable Seat
	Item No.	1	2	3	4	7
VB-212-0-1-2	1/2" Port 2	OYBB-289	FYBB-44-5	OYBB-227	RYB-212-2	OYBB-74
VB-212-0-1-3	1/2" Port 3	OYBB-289	FYBB-44-5	OYBB-227	RYB-212-3	OYBB-74
VB-212-0-1-4	1/2" Port 4	OYBB-289	FYBB-44-5	OYBB-227	RYB-212-4	OYBB-74
VB-212-0-1-7	3/4" Port 7	OYBB-289	FYBB-44-5	OYBB-227	RYB-212-7	OYBB-75
VB-212-0-1-8	1" Port 8	OYBB-289	FYBB-44-5	OYBB-227	RYB-212-8	OYBB-76
VB-212-0-1-9	1-1/4" Port 9	OYBB-289	FYBB-44-5	OYBB-227	RYB-212-9	OYBB-77
VB-212-0-1-10	1-1/2" Port 10	OYBB-289	FYBB-44-5	OYBB-227	RYB-212-10	OYBB-78
VB-212-0-1-11	2" Port 11	OYBB-289	FYBB-44-5	OYBB-227	RYB-212-11	OYBB-79

†Instructions included with kit.

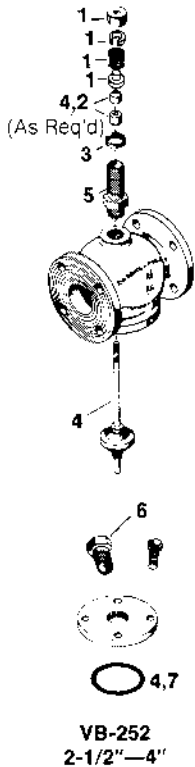
VB-222 Series Two-Way High Temperature Hot Water Valves, 1/2" thru 1-1/2"

Purchase Maintenance Parts from:

Fisher Governor, 1776 Commerce Dr., Elk Grove Village, IL 60007 (312) 956-8020

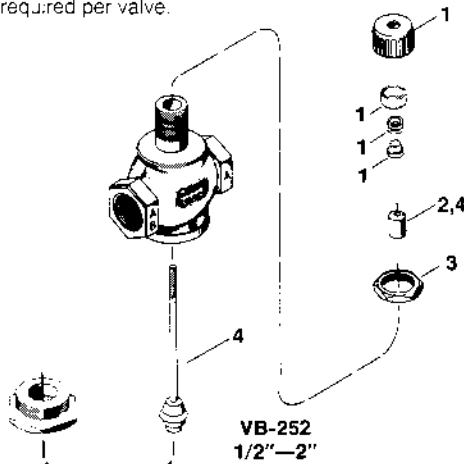
VB-252 Series Two-Way N.C. Valves, 3/4" thru 4"

For Use With: VK-2525, VK-2527; DYBB-275



Valve Body Part No.	Size & Port	Packing Gland Nut and Follower Kit	Packing	Bracket Nut	Includes Stem Packing, & Plug Assm. Bottom Gasket	Bonnet with Bushing	Bottom Guide	Bottom Gasket
	Item No.	1	2	3	4	5	6	7
VB-252-0-1-7	3/4" Port 7	OYBB-289	FYBB-44-5	OYBB-227	RYB-252-7			
VB-252-0-1-8	1" Port 8	OYBB-289	FYBB-44-5	OYBB-227	RYB-252-8			
VB-252-0-1-9	1-1/4" Port 9	OYBB-289	FYBB-44-5	OYBB-227	RYB-252-9			
VB-252-0-1-10	1-1/2" Port 10	OYBB-289	FYBB-44-5	OYBB-227	RYB-252-10			
VB-252-0-1-11	2" Port 11	OYBB-289	FYBB-44-5	OYBB-227	RYB-252-11			
VB-252-0-2-12	2-1/2" Port 12	CYBC-533	BYBB-156-3*	OYBB-227	RYB-252-12	CYBC-335-2	DYBB-290	BYRZ-13-12
VB-252-0-2-13	3" Port 13	CYBC-533	BYBB-156-3*	OYBB-227	RYB-252-13	CYBC-335-2	DYBB-291	BYRZ-13-13
VB-252-0-2-14	4" Port 14	CYBC-533	BYBB-156-3*	OYBB-227	RYB-252-14	CYBC-335-2	DYBB-292	BYRZ-13-14

*Two required per valve.



MAINTENANCE PARTS

Valve

VB-260-0-1-X

For Use With: VC-2304, VC-2307,
VC-2604-XXX-1-X; OYBB-276

Item No.	Description	Material
1	Stem	Stainless Steel
2	Jam Nut	Steel Cad. Plate
3	Packing Nut	Brass
4	Lock Nut	Cast Iron
5	Packing	Teflon Rope
6	Bonnet	Bronze
7	Seal Nut	Stainless Steel
8	Disc Holder	Stainless Steel
9	Disc	Teflon
10	Plain Disc Retainer	Stainless Steel
11	Valve Body	Bronze
12	Seat Ring	Stainless Steel
13	Acorn Nut	Stainless Steel

VB-262-0-1-X

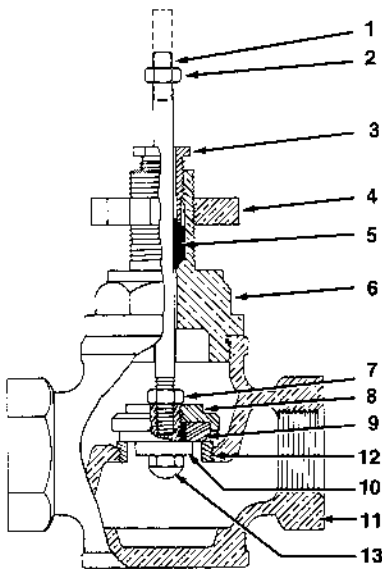
For Use With: VP-2624-XXX-1-X; OYBB-309

Item No.	Description	Material
1	Stem	Stainless Steel
2	Jam Nut	Steel Cad. Plate
3	Packing Nut	Brass
4	Lock Nut	Cast Iron
5	Packing	Teflon Rope
6	Bonnet	Bronze
7	Seal Nut	Stainless Steel
8	Disc Holder	Stainless Steel
9	Disc	Teflon
10	Bottom "V" Port	Stainless Steel
11	Valve Body	Bronze
12	Seat Ring	Stainless Steel
13	Acorn Nut	Stainless Steel
14	Valve Stop	Brass

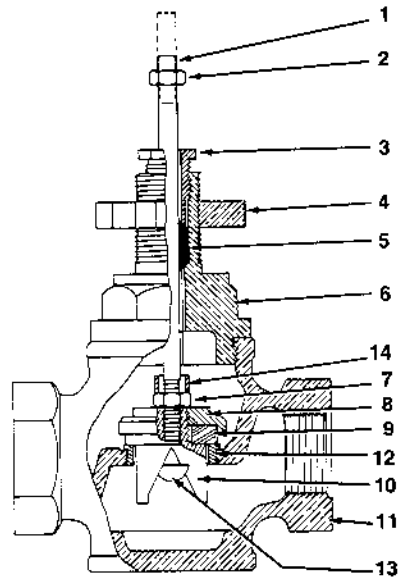
For replacement parts, contact Warren Controls, with valve body part number, valve body size and description of items required.

Warren Controls Corp.
Route 57
Broadway, New Jersey 08808
Telephone: 201-689-1400

MAINTENANCE PARTS



VB-260-0-1-X

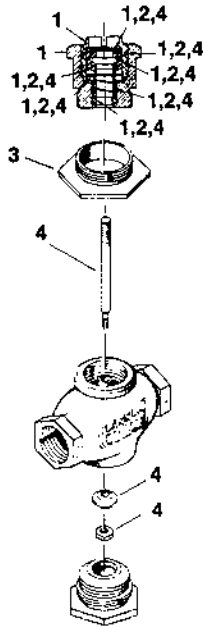


VB-262-0-1-X

Valve

VB-314 Series Globe Screwed Mixing Valves

For Use With: VA-101, VA-3140, VA-3142; VK-3144, VK-3145; VP-3142;
VU-101, VU-3142; DYBB-302, 303, 316, 317, 318

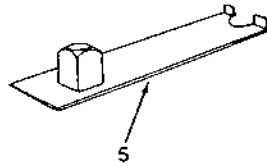


VB-314

Valve Body Part No.	Size & Port	Cartridge & Packing Assembly	Packing Kit Less Cartridge	Actuator Mounting Nut	Valve Repair Kit† Includes Packing Stem & Plug Assm.*	Packing Wrench
	Item No.	1	2	3	4	5
VB-314-0-1-4	1/2" Port 4	YBA-622	YBA-635	YBA-514-1	RYB-314-4	TOO_-20
VB-314-0-1-7	3/4" Port 7	YBA-622	YBA-635	YBA-514-1	RYB-314-7	TOO_-20
VB-314-0-1-8	1" Port 8	YBA-622	YBA-635	YBA-514-1	RYB-314-8	TOO_-20

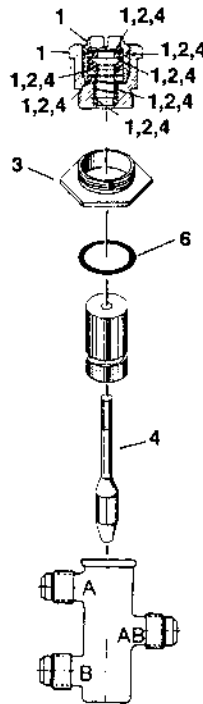
† Instructions included with kit.

* For best results apply a light coating of silicone grease to valve stem and inside of packing cartridge.



VB-324 Series SAE Flared Mixing Valves

For Use With: VA-3240, VA-3242; VK-3244, VK-3245; VP-3242; VU-3242;
DYBB-294, 295, 297, 298, 299, 300, 301



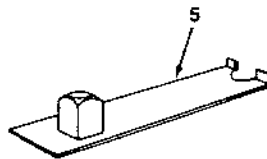
VB-324

Valve Body Part No.	Size & Port	Cartridge & Packing Assembly	Packing Kit Less Cartridge	Actuator Mounting Nut	Valve Repair Kit† Includes Packing Stem & Plug Assm.*	Packing Wrench	"O" Ring
	Item No.	1	2	3	4	5	6
VB-324-0-5-4	1/2"*** Port 4	YBA-622	YBA-635	YBA-514-1	RYB-324-4	TOOL-20	BYRZ-117

† Instructions included with kit.

* For best results apply a light coating of silicone grease to valve stem and inside of packing cartridge.

** 1/2" O.D. tubing.

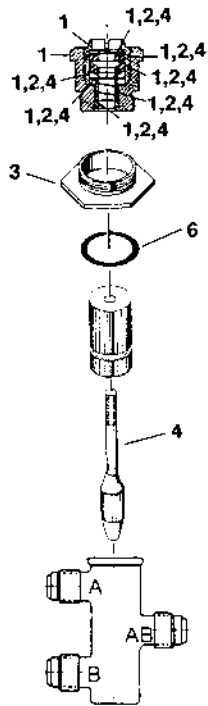


MAINTENANCE PARTS

Valve

VB-334 Series SAE Flared Sequencing Valves

For Use With: VK-3344, VK-3345; VP-3342; VU-3342; DYBB-293, 296



VB-334

Valve Body Part No.	Size & Port	Cartridge & Packing Assembly	Packing Kit Less Cartridge	Actuator Mounting Nut	Valve Repair Kit† Includes Packing Stem & Plug Assm.*	Packing Wrench	"O" Ring
	Item No.	1	2	3	4	5	6
VB-334-0-5-4	1/2"*** Port 4	YBA-622	YBA-635	YBA-514-1	RYB-334-4	TOOL-20	BYRZ-117

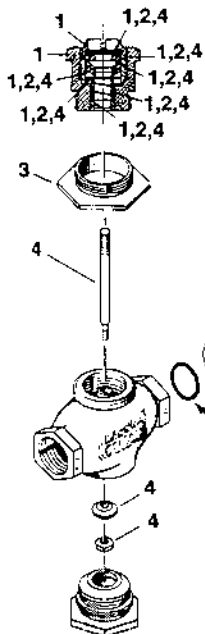
† Instructions included with kit.

* For best results apply a light coating of silicone grease to valve stem and inside of packing cartridge.

** 1/2" O.D. tubing.

VB-354 Series Inverted Flared Mixing Valves

For Use With: VA-3500, VA-3502, VA-3542; VK-3544, VK-3545; VP-3542; VU-3542; DYBB-304, 305, 313, 314, 315



VB-354

Valve Body Part No.	Size & Port	Cartridge & Packing Assembly	Packing Kit Less Cartridge	Actuator Mounting Nut	Valve Repair Kit† Includes Packing Stem & Plug Assm.*	Packing Wrench	"O" Ring	Mating Inverted Flare Nut (Not Included with Valve)
	Item No.	1	2	3	4	5	6	7
VB-354-0-5-4	5/8" O.D. Port 4	YBA-622	YBA-635	YBA-514-1	RYB-314-4	TOOL-20	BYRZ-117	DYBB-249
VB-354-0-5-7	7/8" O.D. Port 7	YBA-622	YBA-635	YBA-514-1	RYB-314-7	TOOL-20	BYRZ-110	DYBB-251

† Instructions included with kit.

* For best results apply a light coating of silicone grease to valve stem and inside of packing cartridge.

MAINTENANCE PARTS

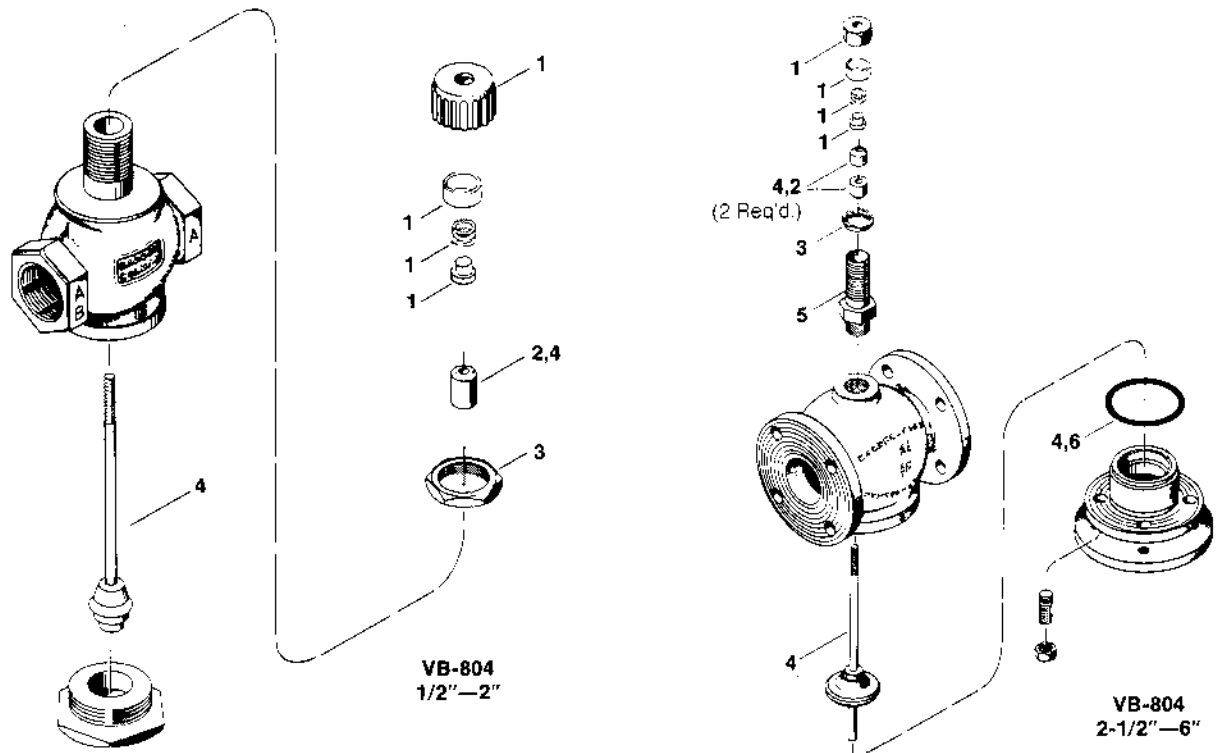
Valve

VB-804 Series Mixing Valves, 1/2" thru 6" Bodies

For Use With: VA-100, VA-3041, VA-8041; VC-100, VC-3044, VC-3047, VC-8044; VK-8045, VK-3047, VK-8045, VK-8047; VP-100, VP-100-100, VP-3044, VP-3045, VP-3046, VP-8044, VP-8045; VU-3044, VU-8044; DYBB-121, 123, 140, 142

Valve Body Part No.	Size & Port	Packing Gland Nut and Follower Kit	Packing	Bracket Nut	Valve Repair Kit Includes Packing Stem & Plug Assm. Bottom Gasket	Bonnet with Bushing	Bottom Gasket
	Item No.	1	2	3	4	5	6
VB-804-0-1-4	1/2" Port 4	OYBB-289	FYBB-44-5	OY3B-227	RYB-804-4		
VB-804-0-1-7	3/4" Port 7	OYBB-289	FYBB-44-5	OY3B-227	RYB-804-7		
VB-804-0-1-8	1" Port 8	OYBB-289	FYBB-44-5	OYBB-227	RYB-804-8		
VB-804-0-1-9	1-1/4" Port 9	OYBB-289	FYBB-44-5	OYBB-227	RYB-804-9		
VB-804-0-1-10	1-1/2" Port 10	OYBB-289	FYBB-44-5	OYBB-227	RYB-804-10		
VB-804-0-1-11	2" Port 11	OYBB-289	FYBB-44-5	OYBB-227	RYB-804-11		
VB-804-0-2-12	2-1/2" Port 12	CYBC-533	BYBB-156-3*	OY3B-227	RYB-804-12	CYBC-335-2	BYRZ-13-12
VB-804-0-2-13	3" Port 13	CYBC-533	BYBB-156-3*	OYBB-227	RYB-804-13	CYBC-335-2	BYRZ-13-13
VB-804-0-2-14	4" Port 14	CYBC-533	BYBB-156-3*	OYBB-227	RYB-804-14	CYBC-335-2	BYRZ-13-14
VB-804-0-2-15	5" Port 15	CYBC-534	BYBB-280-1*	OYBB-225	RYB-804-15	BYBB-263-15	BYRZ-13-15
VB-804-0-2-16	6" Port 16	CYBC-534	BYBB-280-1*	OYBB-225	RYB-804-16	BYBB-263-16	BYRZ-13-16

*Two required per valve.



MAINTENANCE PARTS

Valve

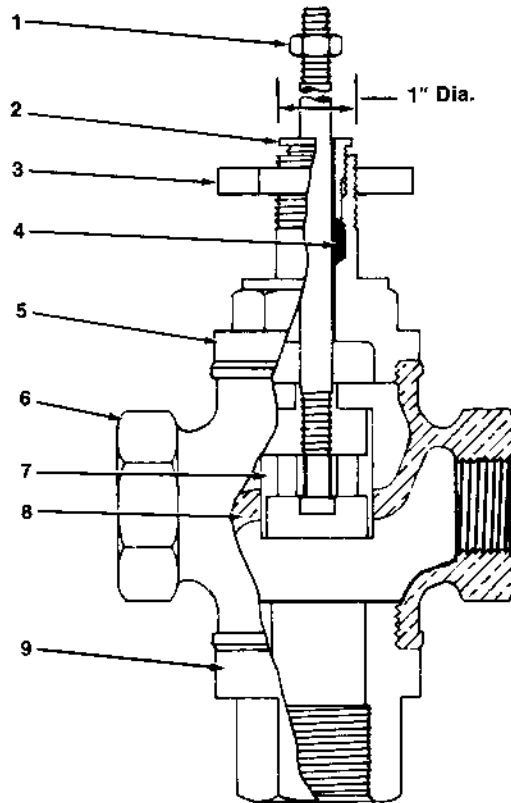
VB-817-0-X-X

For Use With: VA-8171-XXX-X-X; VC-8174-XXX-X-X;
VK-8177-XXX-X-X; VP-8174-XXX-X-X;
VU-8174

Item No.	Description	Material
1	Jam Nut	Steel Cad. Plate
2	Packing Nut	Brass
3	Lock Nut	Cast Iron
4	Packing	Teflon Asbestos
5	Bonnet	Cast Bronze
6	Valve Body	Cast Bronze
7	Stem & Piston Assy.	St. Stl. & Brass
8	Gland, Seal	Eth. Prop.
9	Bottom Port	Cast Bronze

For replacement parts, contact Warren Controls, with valve body part number, valve body size and description of items required.

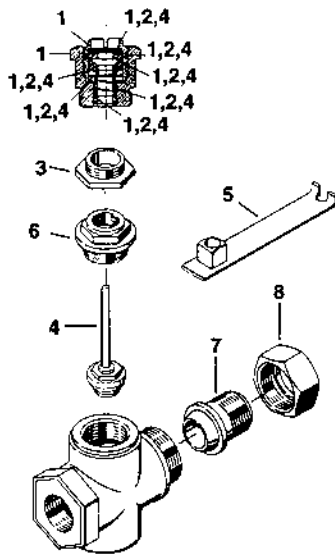
Warren Controls Corp.
Route 57
Broadway, New Jersey 08808
Telephone: 201-689-1400



1/2"—2" Globe Screwed (shown)
2-1/2"—6" Globe Flanged

VB-817-0-X-X

Valve



VB-9211

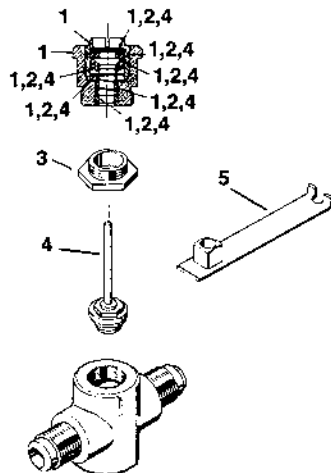
VB-9211 Series N.O. Union End Valves

For Use With: VA-9211; VK-9211; VS-9211

Valve Body Part No.	Size & Port	Cartridge & Packing Assembly	Packing Kit Less* Cartridge	Actuator Mounting Nut	Valve Repair Kit† Includes Packing Stem & Plug Assm.*	Packing Wrench	Bonnet	Union Nipple	Union Nut
	Item No.	1	2	3	4	5	6	7	8
VB-9211-0-4-1	1/2" Port 1	YBA-622	YBA-635	YBA-514-1	RYB-921-1	TOOL-20		YBA-525-4	YBA-526-4
VB-9211-0-4-2	1/2" Port 2	YBA-622	YBA-635	YBA-514-1	RYB-921-2	TOOL-20		YBA-525-4	YBA-526-4
VB-9211-0-4-3	1/2" Port 3	YBA-622	YBA-635	YBA-514-1	RYB-921-3	TOOL-20		YBA-525-4	YBA-526-4
VB-9211-0-4-4	1/2" Port 4	YBA-622	YBA-635	YBA-514-1	RYB-921-4	TOOL-20		YBA-525-4	YBA-526-4
VB-9211-0-4-5	3/4" Port 5	YBA-622	YBA-635	YBA-514-1	RYB-921-5	TOOL-20	NYBA-9211-102-0-7	YBA-525-7	YBA-526-7
VB-9211-0-4-6	3/4" Port 6	YBA-622	YBA-635	YBA-514-1	RYB-921-6	TOOL-20	NYBA-9211-102-0-7	YBA-525-7	YBA-526-7
VB-9211-0-4-7	1" Port 7	YBA-622	YBA-635	YBA-514-1	RYB-921-7	TOOL-20	NYBA-9211-102-0-8	YBA-525-8	YBA-526-8
VB-9211-0-4-8	1" Port 8	YBA-622	YBA-635	YBA-514-1	RYB-921-8	TOOL-20	NYBA-9211-102-0-8	YBA-525-8	YBA-526-8
VB-9211-0-4-9	1-1/4" Port 9	YBA-622	YBA-635	YBA-514-1	RYB-921-9	TOOL-20	NYBA-9211-102-0-8	YBA-525-9	YBA-526-9

† Instructions included with kit.

* For best results apply a light coating of silicone grease to valve stem and inside of packing cartridge.



VB-9212

VB-9212 Series N.O. Flared End Valves

For Use With: VA-9212; VK-9212; VS-9212

Valve Body Part No.	Size & Port	Cartridge & Packing Assembly	Packing Kit Less Cartridge	Actuator Mounting Nut	Valve Repair Kit† Includes Packing Stem & Plug Assm.*	Packing Wrench
	Item No.	1	2	3	4	5
VB-9212-0-4-1	1/2" Port 1	YBA-622	YBA-635	YBA-514-1	RYB-921-1	TOOL-20
VB-9212-0-4-2	1/2" Port 2	YBA-622	YBA-635	YBA-514-1	RYB-921-2	TOOL-20
VB-9212-0-4-3	1/2" Port 3	YBA-622	YBA-635	YBA-514-1	RYB-921-3	TOOL-20
VB-9212-0-4-4	1/2" Port 4	YBA-622	YBA-635	YBA-514-1	RYB-921-4	TOOL-20

† Instructions included with kit.

* For best results apply a light coating of silicone grease to valve stem and inside of packing cartridge.

Valve

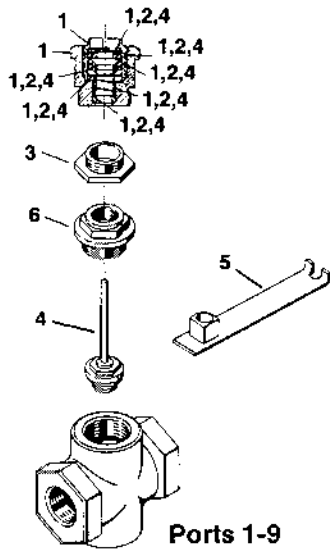
VB-9213 Series N.O. 1/2" thru 2" Screwed End Valves

For Use With: VA-9213; VC-9213; VK-9213; VM-9213; VP-9213; VS-9213; VU-9213

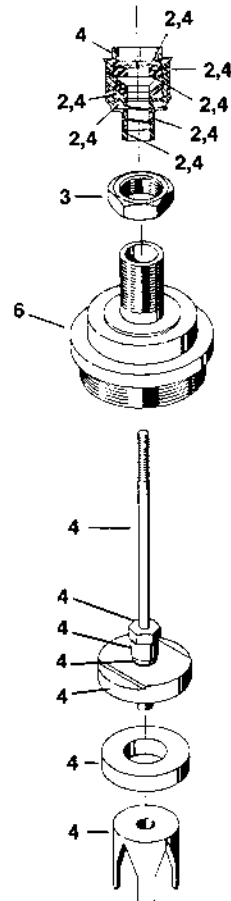
Valve Body Part No.	Size & Port	Cartridge & Packing Assembly	Packing Kit Less* Cartridge	Actuator Mounting Nut	Valve Repair Kit† Includes Packing Stem & Plug Assm.*	Packing Wrench	Bonnet
	Item No.	1	2	3	4	5	6
VB-9213-0-4-1	1/2" Port 1	YBA-622	YBA-635	YBA-514-1	RYB-921-1	TOOL-20	
VB-9213-0-4-2	1/2" Port 2	YBA-622	YBA-635	YBA-514-1	RYB-921-2	TOOL-20	
VB-9213-0-4-3	1/2" Port 3	YBA-622	YBA-635	YBA-514-1	RYB-921-3	TOOL-20	
VB-9213-0-4-4	1/2" Port 4	YBA-622	YBA-635	YBA-514-1	RYB-921-4	TOOL-20	
VB-9213-0-4-5	3/4" Port 5	YBA-622	YBA-635	YBA-514-1	RYB-921-5	TOOL-20	NYBA-9211-102-0-7
VB-9213-0-4-6	3/4" Port 6	YBA-622	YBA-635	YBA-514-1	RYB-921-6	TOOL-20	NYBA-9211-102-0-7
VB-9213-0-4-7	1" Port 7	YBA-622	YBA-635	YBA-514-1	RYB-921-7	TOOL-20	NYBA-9211-102-0-8
VB-9213-0-4-8	1" Port 8	YBA-622	YBA-635	YBA-514-1	RYB-921-8	TOOL-20	NYBA-9211-102-0-8
VB-9213-0-4-9	1-1/4" Port 9	YBA-622	YBA-635	YBA-514-1	RYB-921-9	TOOL-20	NYBA-9211-102-0-8
VB-9213-0-4-10	1-1/2" Port 10		YBA-635	OYBB-227	RYB-921-10	TOOL-20	NYBA-9213-102-0-11
VB-9213-0-4-11	2" Port 11		YBA-635	OYBB-227	RYB-921-11	TOOL-20	NYBA-9213-102-0-11

† Instructions included with kit.

* For best results apply a light coating of silicone grease to valve stem and inside of packing cartridge.



VB-9213



Ports 10 & 11

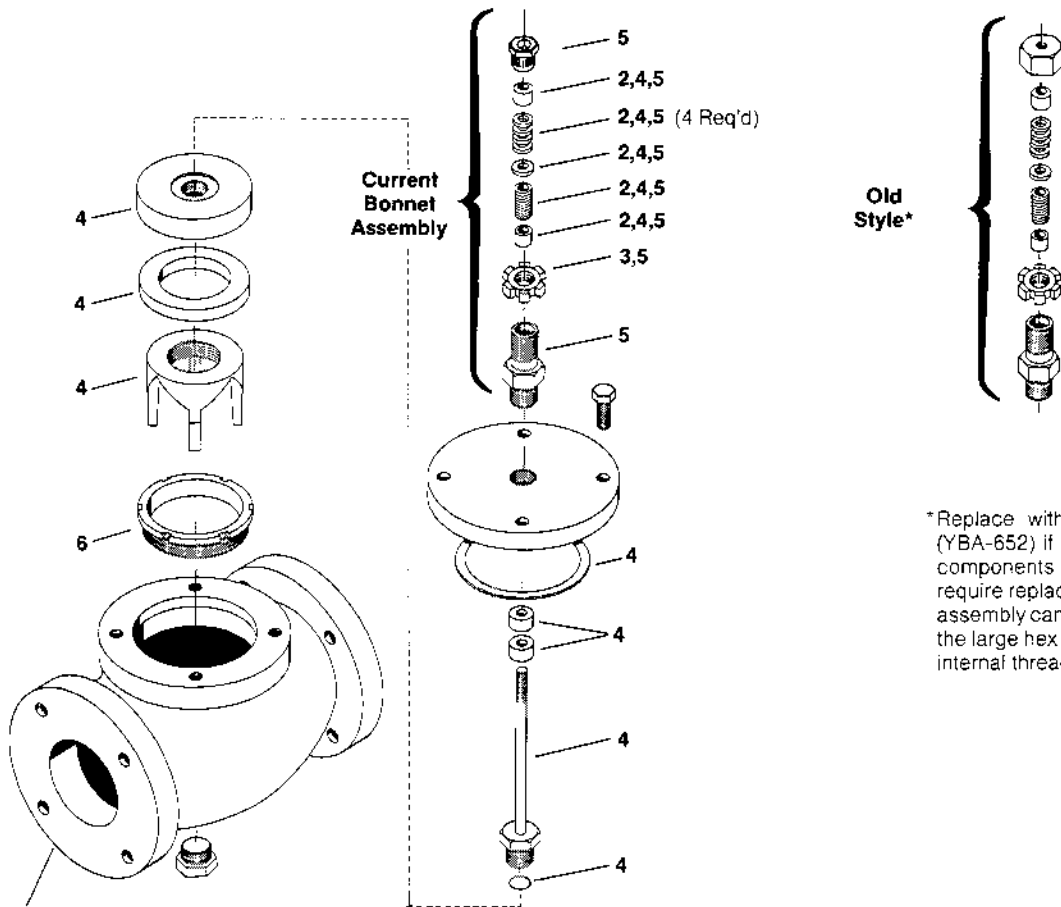
Valve

VB-9213 Series N.O. 2-1/2" thru 3" Screwed End, 2-1/2" thru 6" Flanged End Valves

For Use With: VA-9213; VC-9213; VK-9213; VM-9213; VP-9213; VS-9213, VU-9213

Valve Body Part No.	Size & Port	Packing	Bracket Nut	Valve Repair Kit Includes Packing Stem & Plug Assembly Top Gasket	Current Bonnet Assembly* Includes Packing & Bracket Nut	Seat Ring
	Item No.	2	3	4	5	6
VB-9213-0-4-12	2-1/2" Port 12	YBA-651-1	OYBB-225	RYB-921-12	YBA-652	RYB-9213-101-0-12
VB-9213-0-4-13	3" Port 13	YBA-651-1	OYBB-225	RYB-921-13	YBA-652	RYB-9213-101-0-13
VB-9213-0-5-12	2-1/2" Port 12	YBA-651-1	OYBB-225	RYB-921-12	YBA-652	RYB-9213-101-0-12
VB-9213-0-5-13	3" Port 13	YBA-651-1	OYBB-225	RYB-921-13	YBA-652	RYB-9213-101-0-13
VB-9213-0-5-14	4" Port 14	YBA-651-1	OYBB-225	RYB-921-14	YBA-652	RYB-9213-101-0-14
VB-9213-0-5-15	5" Port 15	YBA-651-1	OYBB-225	RYB-921-15	YBA-652	RYB-9213-101-0-15
VB-9213-0-5-16	6" Port 16	YBA-651-1	OYBB-225	RYB-921-16	YBA-652	RYB-9213-101-0-16

*Direct replacement for old style.



Note: VB-9213-0-4-12 and VB-9213-0-4-13 bodies are screwed end.

*Replace with current bonnet assembly (YBA-652) if any of the old style packing components — no longer available — require replacement. The old style bonnet assembly can easily be identified by noting the large hex head packing gland nut with internal threads.

MAINTENANCE PARTS

VB-9213

Valve

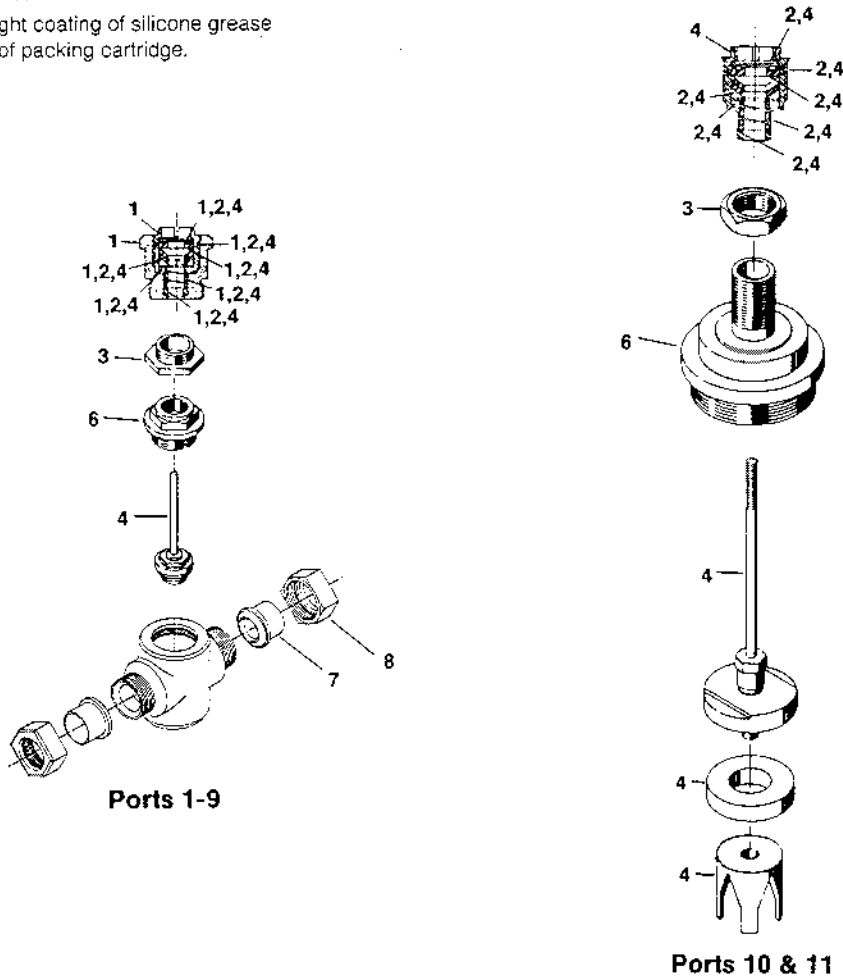
VB-9214 Series N.O. 1/2" thru 2" Union Sweat End Valves

For Use With: VA-9214; VC-9214; VK-9214; VM-9214; VP-9214; VS-9214

Valve Body Part No.	Size & Port	Cartridge & Packing Assembly	Packing Kit Less* Cartridge	Actuator Mounting Nut	Valve Repair Kit† Includes Packing Stem & Plug Assm.*	Packing Wrench	Bonnet	Tail Piece	Union Nut
	Item No.	1	2	3	4	5	6	7	8
VB-9214-0-4-1	1/2" Port 1	YBA-622	YBA-635	YBA-514-1	RYB-921-1	TOOL-20		YBA-657-4	YBA-656-4
VB-9214-0-4-2	1/2" Port 2	YBA-622	YBA-635	YBA-514-1	RYB-921-2	TOOL-20		YBA-657-4	YBA-656-4
VB-9214-0-4-3	1/2" Port 3	YBA-622	YBA-635	YBA-514-1	RYB-921-3	TOOL-20		YBA-657-4	YBA-656-4
VB-9214-0-4-4	1/2" Port 4	YBA-622	YBA-635	YBA-514-1	RYB-921-4	TOOL-20		YBA-657-4	YBA-656-4
VB-9214-0-4-5	3/4" Port 5	YBA-622	YBA-635	YBA-514-1	RYB-921-5	TOOL-20	NYBA-9211-102-0-7	YBA-657-6	YBA-656-6
VB-9214-0-4-6	3/4" Port 6	YBA-622	YBA-635	YBA-514-1	RYB-921-6	TOOL-20	NYBA-9211-102-0-7	YBA-657-6	YBA-656-6
VB-9214-0-4-7	1" Port 7	YBA-622	YBA-635	YBA-514-1	RYB-921-7	TOOL-20	NYBA-9211-102-0-8	YBA-657-8	YBA-656-8
VB-9214-0-4-8	1" Port 8	YBA-622	YBA-635	YBA-514-1	RYB-921-8	TOOL-20	NYBA-9211-102-0-8	YBA-657-8	YBA-656-8
VB-9214-0-4-9	1-1/4" Port 9	YBA-622	YBA-635	YBA-514-1	RYB-921-9	TOOL-20	NYBA-9211-102-0-8	YBA-657-9	YBA-656-9
VB-9214-0-4-10	1-1/2" Port 10		YBA-635	OYBB-227	RYB-921-10	TOOL-20	NYBA-9213-102-0-11	YBA-657-10	YBA-656-10
VB-9214-0-4-11	2" Port 11		YBA-635	OYBB-227	RYB-921-11	TOOL-20	NYBA-9213-102-0-11	YBA-657-11	YBA-656-11

† Instructions included with kit.

* For best results apply a light coating of silicone grease to valve stem and inside of packing cartridge.



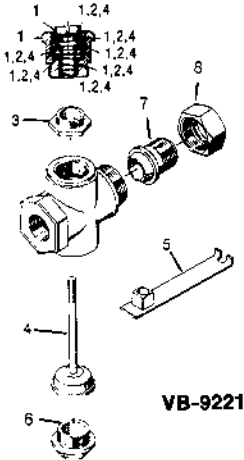
VB-9214

MAINTENANCE PARTS

Valve

VB-9221 Series N.C. Union End Valves

For Use With: VA-9221; VK-9221; VS-9221



VB-9221

Valve Body Part No.	Size & Port	Cartridge & Packing Assembly	Packing Kit Less* Cartridge	Actuator Mounting Nut	Valve Repair Kit† Includes Packing Stem & Plug Asm.*	Packing Wrench	Bottom Plug	Union Nipple	Union Nut
	Item No.	1	2	3	4	5	6	7	8
VB-9221-0-4-1	1/2" Port 1	YBA-622	YBA-635	YBA-514-1	RYB-922-1	TOOL-20	OYBB-228-4-1	YBA-525-4	YBA-526-4
VB-9221-0-4-2	1/2" Port 2	YBA-622	YBA-635	YBA-514-1	RYB-922-2	TOOL-20	OYBB-228-4-1	YBA-525-4	YBA-526-4
VB-9221-0-4-3	1/2" Port 3	YBA-622	YBA-635	YBA-514-1	RYB-922-3	TOOL-20	OYBB-228-4-1	YBA-525-4	YBA-526-4
VB-9221-0-4-4	1/2" Port 4	YBA-622	YBA-635	YBA-514-1	RYB-922-4	TOOL-20	OYBB-228-4-1	YBA-525-4	YBA-526-4
VB-9221-0-4-5	3/4" Port 5	YBA-622	YBA-635	YBA-514-1	RYB-922-5	TOOL-20	NYBA-9221-101-0-7	YBA-525-7	YBA-526-7
VB-9221-0-4-6	3/4" Port 6	YBA-622	YBA-635	YBA-514-1	RYB-922-6	TOOL-20	NYBA-9221-101-0-7	YBA-525-7	YBA-526-7
VB-9221-0-4-7	1" Port 7	YBA-622	YBA-635	YBA-514-1	RYB-922-7	TOOL-20	NYBA-9221-101-0-8	YBA-525-8	YBA-526-8
VB-9221-0-4-8	1" Port 8	YBA-622	YBA-635	YBA-514-1	RYB-922-8	TOOL-20	NYBA-9221-101-0-8	YBA-525-8	YBA-526-8
VB-9221-0-4-9	1-1/4" Port 9	YBA-622	YBA-635	YBA-514-1	RYB-922-9	TOOL-20	NYBA-9221-101-0-8	YBA-525-9	YBA-526-9

† Instructions included with kit.

* For best results apply a light coating of silicone grease to valve stem and inside of packing cartridge.

VB-9222 Series N.C. Flared End Valves

For Use With: VA-9222; VK-9222; VS-9222



VB-9222

Valve Body Part No.	Size & Port	Cartridge & Packing Assembly	Packing Kit† Less* Cartridge	Actuator Mounting Nut	Valve Repair Kit† Includes Packing Stem & Plug Asm.*	Packing Wrench	Bottom Plug
	Item No.	1	2	3	4	5	6
VB-9222-0-4-1	1/2" Port 1	YBA-622	YBA-635	YBA-514-1	RYB-922-1	TOOL-20	OYBB-228-4-1
VB-9222-0-4-2	1/2" Port 2	YBA-622	YBA-635	YBA-514-1	RYB-922-2	TOOL-20	OYBB-228-4-1
VB-9222-0-4-3	1/2" Port 3	YBA-622	YBA-635	YBA-514-1	RYB-922-3	TOOL-20	OYBB-228-4-1
VB-9222-0-4-4	1/2" Port 4	YBA-622	YBA-635	YBA-514-1	RYB-922-4	TOOL-20	OYBB-228-4-1

† Instructions included with kit.

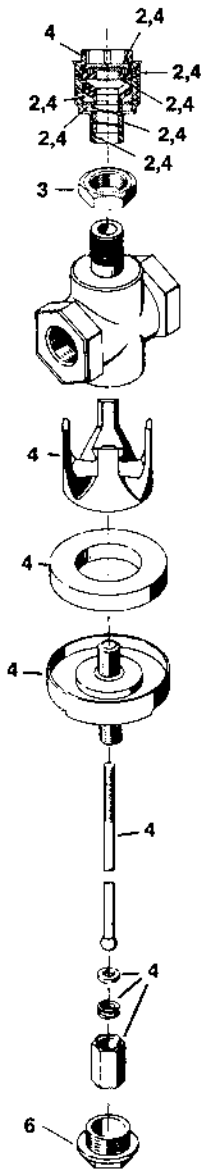
* For best results apply a light coating of silicone grease to valve stem and inside of packing cartridge.

MAINTENANCE PARTS

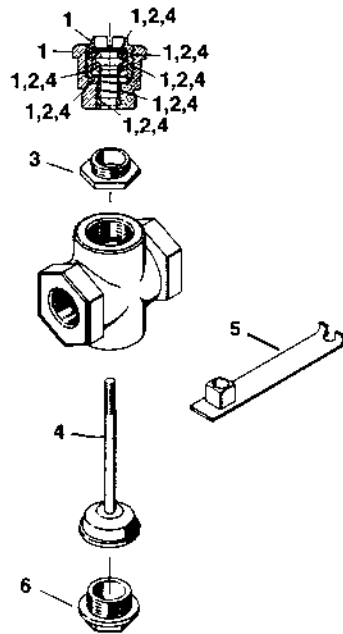
Valve

VB-9223 Series N.C. 1/2" thru 2" Screwed End Valves

For Use With: VA-9223; VC-9223; VK-9223; VP-9223; VS-9223; VU-9223



Ports 10 & 11



Ports 1-9

Valve Body Part No.	Size & Port	Cartridge & Packing Assembly	Packing Kit Less* Cartridge	Actuator Mounting Nut	Valve Repair Kit† Includes Packing Stem & Plug Assm.*	Packing Wrench	Bottom Plug
	Item No.	1	2	3	4	5	6
VB-9223-0-4-1	1/2" Port 1	YBA-622	YBA-635	YBA-514-1	RYB-922-1	TOOL-20	OYBB-228-4-1
VB-9223-0-4-2	1/2" Port 2	YBA-622	YBA-635	YBA-514-1	RYB-922-2	TOOL-20	OYBB-228-4-1
VB-9223-0-4-3	1/2" Port 3	YBA-622	YBA-635	YBA-514-1	RYB-922-3	TOOL-20	OYBB-228-4-1
VB-9223-0-4-4	1/2" Port 4	YBA-622	YBA-635	YBA-514-1	RYB-922-4	TOOL-20	OYBB-228-4-1
VB-9223-0-4-5	3/4" Port 5	YBA-622	YBA-635	YBA-514-1	RYB-922-5	TOOL-20	NYBA-9221-101-0-7
VB-9223-0-4-6	3/4" Port 6	YBA-622	YBA-635	YBA-514-1	RYB-922-6	TOOL-20	NYBA-9221-101-0-7
VB-9223-0-4-7	1" Port 7	YBA-622	YBA-635	YBA-514-1	RYB-922-7	TOOL-20	NYBA-9221-101-0-8
VB-9223-0-4-8	1" Port 8	YBA-622	YBA-635	YBA-514-1	RYB-922-8	TOOL-20	NYBA-9221-101-0-8
VB-9223-0-4-9	1-1/4" Port 9	YBA-622	YBA-635	YBA-514-1	RYB-922-9	TOOL-20	NYBA-9221-101-0-8
VB-9223-0-4-10	1-1/2" Port 10		YBA-635	OYBB-227	RYB-922-10	TOOL-20	NYBA-9223-101-0-11
VB-9223-0-4-11	2" Port 11		YBA-635	OYBB-227	RYB-922-11	TOOL-20	NYBA-9223-101-0-11

† Instructions included with kit.

* For best results apply a light coating of silicone grease to valve stem and inside of packing cartridge.

MAINTENANCE PARTS

VB-9223

Valve

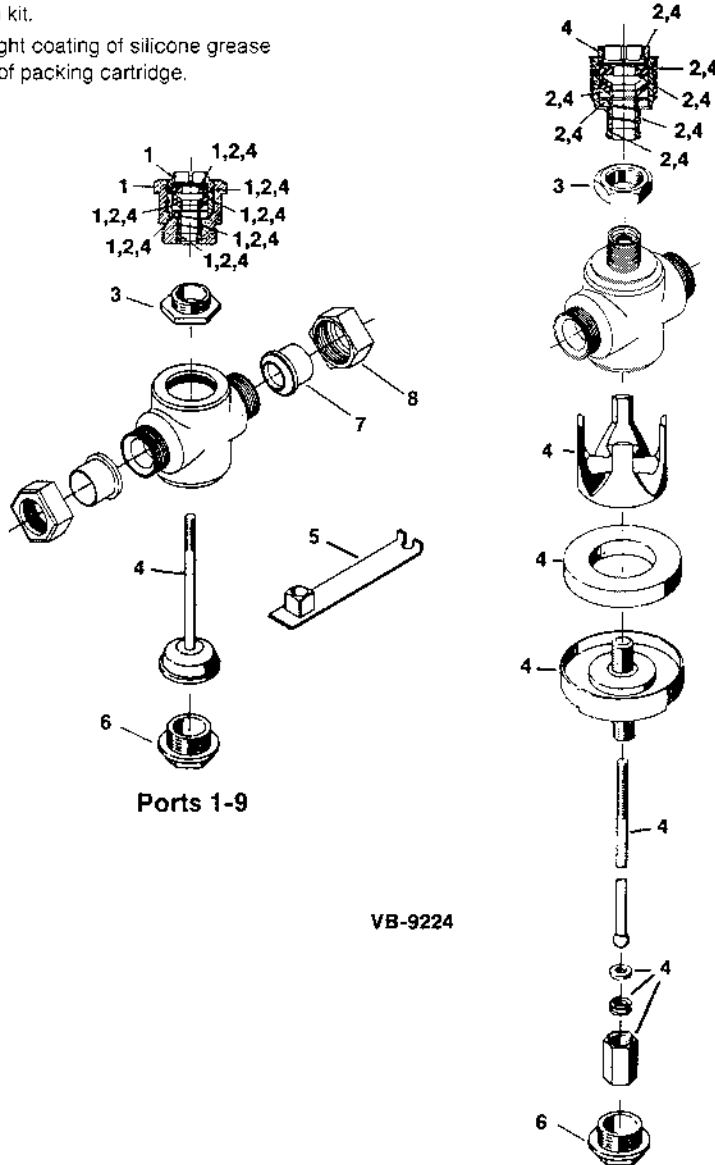
VB-9224 Series N.C. 1/2" thru 2" Union Sweat End Valves

For Use With: VA-9224; VK-9224; VS-9224

Valve Body Part No.	Size & Port	Cartridge & Packing Assembly	Packing Kit Less* Cartridge	Actuator Mounting Nut	Valve Repair Kit† Includes Packing Stem & Plug Asm.*	Packing Wrench	Bottom Plug	Tail Piece	Union Nut
	Item No.	1	2	3	4	5	6	7	8
VB-9224-0-4-1	1/2" Port 1	YBA-622	YBA-635	YBA-514-1	RYB-922-1	TOOL-20	OYBB-228-4-1	YBA-657-4	YBA-656-4
VB-9224-0-4-2	1/2" Port 2	YBA-622	YBA-635	YBA-514-1	RYB-922-2	TOOL-20	OYBB-228-4-1	YBA-657-4	YBA-656-4
VB-9224-0-4-3	1/2" Port 3	YBA-622	YBA-635	YBA-514-1	RYB-922-3	TOOL-20	OYBB-228-4-1	YBA-657-4	YBA-656-4
VB-9224-0-4-4	1/2" Port 4	YBA-622	YBA-635	YBA-514-1	RYB-922-4	TOOL-20	OYBB-228-4-1	YBA-657-4	YBA-656-4
VB-9224-0-4-5	3/4" Port 5	YBA-622	YBA-635	YBA-514-1	RYB-922-5	TOOL-20	NYBA-9221-101-0-7	YBA-657-6	YBA-656-6
VB-9224-0-4-6	3/4" Port 6	YBA-622	YBA-635	YBA-514-1	RYB-922-6	TOOL-20	NYBA-9221-101-0-7	YBA-657-6	YBA-656-6
VB-9224-0-4-7	1" Port 7	YBA-622	YBA-635	YBA-514-1	RYB-922-7	TOOL-20	NYBA-9221-101-0-8	YBA-657-8	YBA-656-8
VB-9224-0-4-8	1" Port 8	YBA-622	YBA-635	YBA-514-1	RYB-922-8	TOOL-20	NYBA-9221-101-0-8	YBA-657-8	YBA-656-8
VB-9224-0-4-9	1-1/4" Port 9	YBA-622	YBA-635	YBA-514-1	RYB-922-9	TOOL-20	NYBA-9221-101-0-8	YBA-657-9	YBA-656-9
VB-9224-0-4-10	1-1/2" Port 10		YBA-635	OYBB-227	RYB-922-10	TOOL-20	NYBA-9223-101-0-11	YBA-657-10	YBA-656-10
VB-9224-0-4-11	2" Port 11		YBA-635	OYBB-227	RYB-922-11	TOOL-20	NYBA-9223-101-0-11	YBA-657-11	YBA-656-11

† Instructions included with kit.

* For best results apply a light coating of silicone grease to valve stem and inside of packing cartridge.



VB-9224

Ports 10 & 11

MAINTENANCE PARTS

Valve

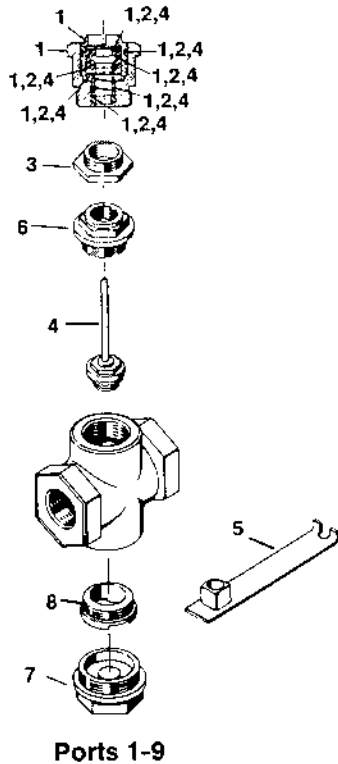
VB-9253 Series N.O. Screwed End Two-Way S/S Trim Valves

For Use With: VA-9253; VC-9253; VK-9253; VM-9253; VP-9253; VS-9253; VU-9253

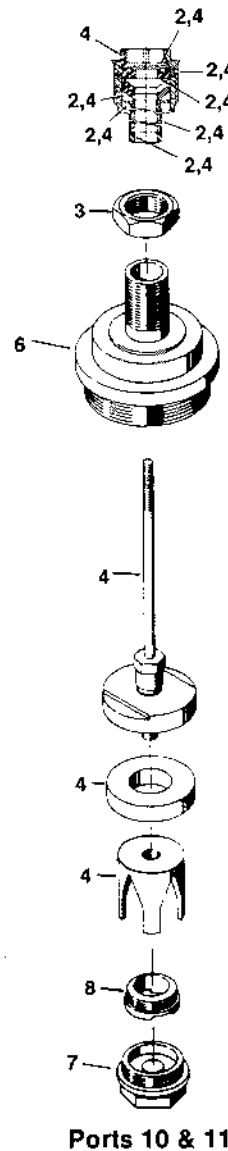
Valve Body Part No.	Size & Port	Cartridge & Packing Assembly	Packing Kit Less* Cartr.	Actuator Mounting Nut	Valve Repair Kit† Includes Packing Stem & Plug Assm.*	Packing Wrench	Bonnet	Bottom Plug	SS Seat
	Item No.	1	2	3	4	5	6	7	8
VB-9253-0-4-1	1/2" Port 1	YBA-622	YBA-635	YBA-514-1	RYB-925-1	TOOL-20		OYBB-228-4-1	NYBA-9253-101-0-4
VB-9253-0-4-2	1/2" Port 2	YBA-622	YBA-635	YBA-514-1	RYB-925-2	TOOL-20		OYBB-228-4-1	NYBA-9253-101-0-4
VB-9253-0-4-3	1/2" Port 3	YBA-622	YBA-635	YBA-514-1	RYB-925-3	TOOL-20		OYBB-228-4-1	NYBA-9253-101-0-4
VB-9253-0-4-4	1/2" Port 4	YBA-622	YBA-635	YBA-514-1	RYB-925-4	TOOL-20		OYBB-228-4-1	NYBA-9253-101-0-4
VB-9253-0-4-5	3/4" Port 5	YBA-622	YBA-635	YBA-514-1	RYB-925-5	TOOL-20	NYBA-9211-102-0-7	NYBA-9221-101-0-7	NYBA-9253-101-0-7
VB-9253-0-4-6	3/4" Port 6	YBA-622	YBA-635	YBA-514-1	RYB-925-6	TOOL-20	NYBA-9211-102-0-7	NYBA-9221-101-0-7	NYBA-9253-101-0-7
VB-9253-0-4-7	1" Port 7	YBA-622	YBA-635	YBA-514-1	RYB-925-7	TOOL-20	NYBA-9211-102-0-8	NYBA-9221-101-0-8	NYBA-9253-101-0-8
VB-9253-0-4-8	1" Port 8	YBA-622	YBA-635	YBA-514-1	RYB-925-8	TOOL-20	NYBA-9211-102-0-8	NYBA-9221-101-0-8	NYBA-9253-101-0-8
VB-9253-0-4-9	1-1/4" Port 9	YBA-622	YBA-635	YBA-514-1	RYB-925-9	TOOL-20	NYBA-9211-102-0-8	NYBA-9221-101-0-8	NYBA-9253-101-0-9
VB-9253-0-4-10	1-1/2" Port 10		YBA-635	OY9B-227	RYB-925-10	TOOL-20	NYBA-9213-102-0-11	NYBA-9223-101-0-11	NYBA-9253-101-0-10
VB-9253-0-4-11	2" Port 11		YBA-635	OY9B-227	RYB-925-11	TOOL-20	NYBA-9213-102-0-11	NYBA-9223-101-0-11	NYBA-9253-101-0-11

† Instructions included with kit.

* For best results apply a light coating of silicone grease to valve stem and inside of packing cartridge.



VB-9253



MAINTENANCE PARTS

Valve

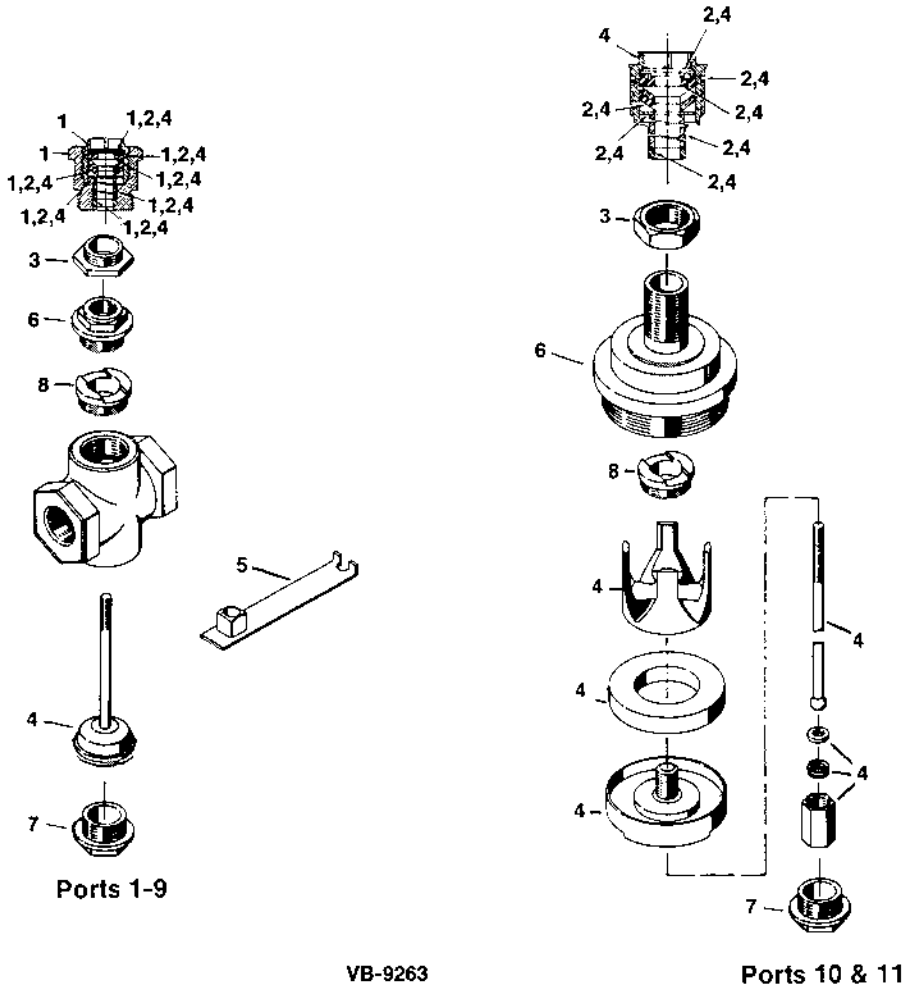
VB-9263 Series N.C. Screwed End Two-Way S/S Trim Valves

For Use With: VA-9263; VK-9263; VS-9263

Valve Body Part No.	Size & Port	Cartridge & Packing Assembly	Packing Kit Less* Cartr.	Actuator Mounting Nut	Valve Repair Kit† Includes Packing Stem & Plug Assm.*	Packing Wrench	Bonnet	Bottom Plug	SS Seat
	Item No.	1	2	3	4	5	6	7	8
VB-9263-0-4-1	1/2" Port 1	YBA-622	YBA-635	YBA-514-1	RYB-926-1	TOOL-23		OYBB-228-4-1	NYBA-9253-101-0-4
VB-9263-0-4-2	1/2" Port 2	YBA-622	YBA-635	YBA-514-1	RYB-926-2	TOOL-23		OYBB-228-4-1	NYBA-9253-101-0-4
VB-9263-0-4-3	1/2" Port 3	YBA-622	YBA-635	YBA-514-1	RYB-926-3	TOOL-23		OYBB-228-4-1	NYBA-9253-101-0-4
VB-9263-0-4-4	1/2" Port 4	YBA-622	YBA-635	YBA-514-1	RYB-926-4	TOOL-23		OYBB-228-4-1	NYBA-9253-101-0-4
VB-9263-0-4-5	3/4" Port 5	YBA-622	YBA-635	YBA-514-1	RYB-926-5	TOOL-23	NYBA-9211-102-0-7	NYBA-9221-101-0-7	NYBA-9253-101-0-7
VB-9263-0-4-6	3/4" Port 6	YBA-622	YBA-635	YBA-514-1	RYB-926-6	TOOL-23	NYBA-9211-102-0-7	NYBA-9221-101-0-7	NYBA-9253-101-0-7
VB-9263-0-4-7	1" Port 7	YBA-622	YBA-635	YBA-514-1	RYB-926-7	TOOL-23	NYBA-9211-102-0-8	NYBA-9221-101-0-8	NYBA-9253-101-0-8
VB-9263-0-4-8	1" Port 8	YBA-622	YBA-635	YBA-514-1	RYB-926-8	TOOL-23	NYBA-9211-102-0-8	NYBA-9221-101-0-8	NYBA-9253-101-0-8
VB-9263-0-4-9	1-1/4" Port 9	YBA-622	YBA-635	YBA-514-1	RYB-926-9	TOOL-23	NYBA-9211-102-0-8	NYBA-9221-101-0-8	NYBA-9253-101-0-8
VB-9263-0-4-10	1-1/2" Port 10		YBA-635	OYBB-227	RYB-926-10	TOOL-23	NYBA-9213-102-0-11	NYBA-9223-101-0-11	NYBA-9253-101-0-10
VB-9263-0-4-11	2" Port 11		YBA-635	OYBB-227	RYB-926-11	TOOL-23	NYBA-9213-102-0-11	NYBA-9223-101-0-11	NYBA-9253-101-0-11

† Instructions included with kit.

* For best results apply a light coating of silicone grease to valve stem and inside of packing cartridge.



MAINTENANCE PARTS

VB-9263

Ports 10 & 11

Valve

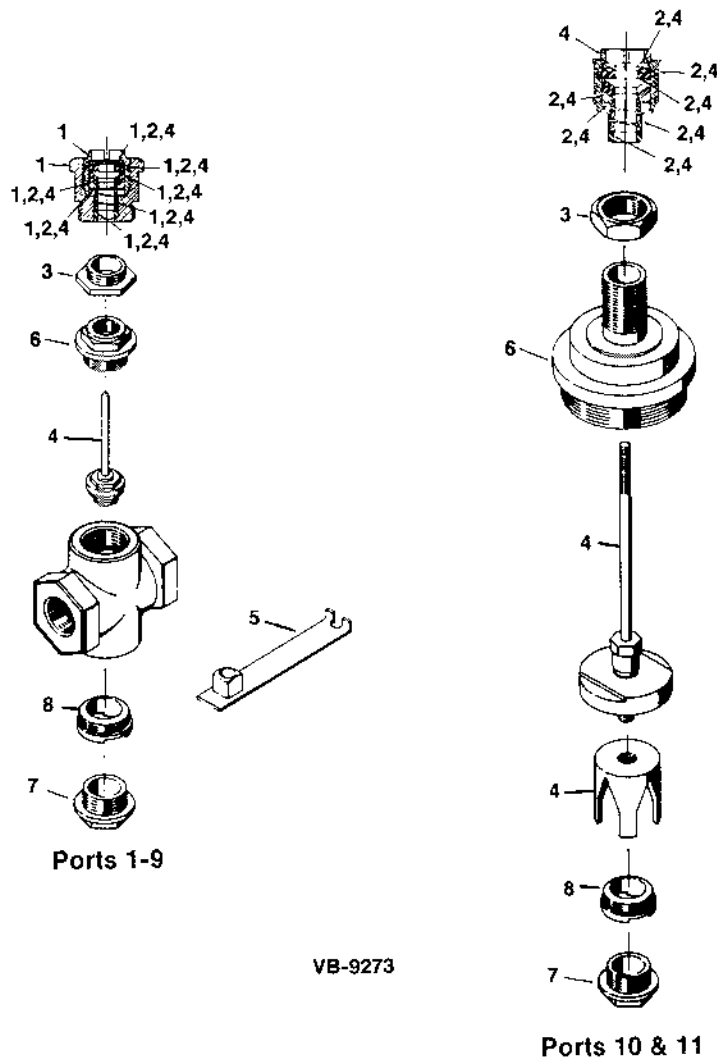
VB-9273 Series N.O. Screwed End Two-Way S/S Trim Valves

For Use With: VA-9273; VC-9273; VK-9273; VM-9273; VP-9273; VS-9273; VU-9273

Valve Body Part No.	Size & Port	Cartridge & Packing Assembly	Packing Kit Less* Cartr.	Actuator Mounting Nut	Valve Repair Kit† Includes Packing Stem & Plug Assm.*	Packing Wrench	Bonnet	Bottom Plug	SS Seat
	Item No.	1	2	3	4	5	6	7	8
VB-9273-0-4-1	1/2" Port 1	YBA-622	YBA-635	YBA-514-1	RYB-927-1	TOOL-20		OYBB-228-4-1	NYBA-9253-101-0-4
VB-9273-0-4-2	1/2" Port 2	YBA-622	YBA-635	YBA-514-1	RYB-927-2	TOOL-20		OYBB-228-4-1	NYBA-9253-101-0-4
VB-9273-0-4-3	1/2" Port 3	YBA-622	YBA-635	YBA-514-1	RYB-927-3	TOOL-20		OYBB-228-4-1	NYBA-9253-101-0-4
VB-9273-0-4-4	1/2" Port 4	YBA-622	YBA-635	YBA-514-1	RYB-927-4	TOOL-20		OYBB-228-4-1	NYBA-9253-101-0-4
VB-9273-0-4-5	3/4" Port 5	YBA-622	YBA-635	YBA-514-1	RYB-927-5	TOOL-20	NYBA-9211-102-0-7	NYBA-9221-101-0-7	NYBA-9253-101-0-7
VB-9273-0-4-6	3/4" Port 6	YBA-622	YBA-635	YBA-514-1	RYB-927-6	TOOL-20	NYBA-9211-102-0-7	NYBA-9221-101-0-7	NYBA-9253-101-0-7
VB-9273-0-4-7	1" Port 7	YBA-622	YBA-635	YBA-514-1	RYB-927-7	TOOL-20	NYBA-9211-102-0-8	NYBA-9221-101-0-8	NYBA-9253-101-0-8
VB-9273-0-4-8	1" Port 8	YBA-622	YBA-635	YBA-514-1	RYB-927-8	TOOL-20	NYBA-9211-102-0-8	NYBA-9221-101-0-8	NYBA-9253-101-0-8
VB-9273-0-4-9	1-1/4" Port 9	YBA-622	YBA-635	YBA-514-1	RYB-927-9	TOOL-20	NYBA-9211-102-0-8	NYBA-9221-101-0-8	NYBA-9253-101-0-9
VB-9273-0-4-10	1-1/2" Port 10		YBA-635	OYBB-227	RYB-927-10	TOOL-20	NYBA-9213-102-0-11	NYBA-9223-101-0-11	NYBA-9253-101-0-10
VB-9273-0-4-11	2" Port 11		YBA-635	OYBB-227	RYB-927-11	TOOL-20	NYBA-9213-102-0-11	NYBA-9223-101-0-11	NYBA-9253-101-0-11

† Instructions included with kit.

* For best results apply a light coating of silicone grease to valve stem and inside of packing cartridge.



MAINTENANCE PARTS

Valve

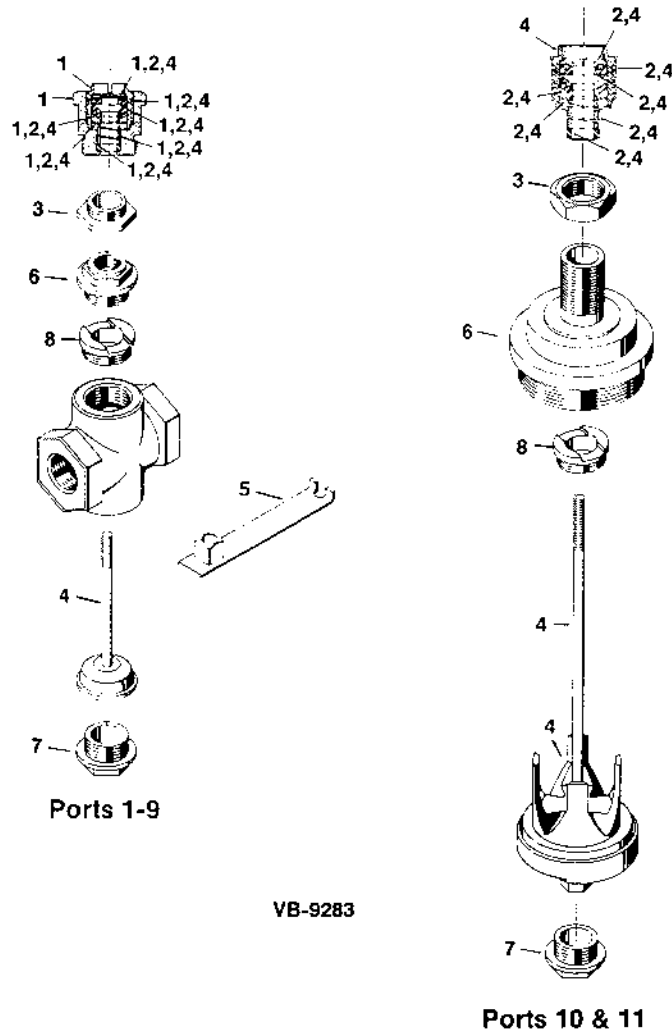
VB-9283 Series N.C. Screwed End Two-Way S/S Trim Valves

For Use With: VA-9283; VK-9283; VS-9283

Valve Body Part No.	Size & Port	Cartridge & Packing Assembly	Packing Kit Less* Cartr.	Actuator Mounting Nut	Valve Repair Kit† Includes Packing Stem & Plug Assm.*	Packing Wrench	Bonnet	Bottom Plug	SS Seat
	Item No.	1	2	3	4	5	6	7	8
VB-9283-0-4-1	1/2" Port 1	YBA-622	YBA-635	YBA-514-1	RYB-928-1	TOOL-20		OYBB-228-4-1	NYBA-9253-101-0-4
VB-9283-0-4-2	1/2" Port 2	YBA-622	YBA-635	YBA-514-1	RYB-928-2	TOOL-20		OYBB-228-4-1	NYBA-9253-101-0-4
VB-9283-0-4-3	1/2" Port 3	YBA-622	YBA-635	YBA-514-1	RYB-928-3	TOOL-20		OYBB-228-4-1	NYBA-9253-101-0-4
VB-9283-0-4-4	1/2" Port 4	YBA-622	YBA-635	YBA-514-1	RYB-928-4	TOOL-20		OYBB-228-4-1	NYBA-9253-101-0-4
VB-9283-0-4-5	3/4" Port 5	YBA-622	YBA-635	YBA-514-1	RYB-928-5	TOOL-20	NYBA-9211-102-0-7	NYBA-9221-101-0-7	NYBA-9253-101-0-7
VB-9283-0-4-6	3/4" Port 6	YBA-622	YBA-635	YBA-514-1	RYB-928-6	TOOL-20	NYBA-9211-102-0-7	NYBA-9221-101-0-7	NYBA-9253-101-0-7
VB-9283-0-4-7	1" Port 7	YBA-622	YBA-635	YBA-514-1	RYB-928-7	TOOL-20	NYBA-9211-102-0-8	NYBA-9221-101-0-8	NYBA-9253-101-0-8
VB-9283-0-4-8	1" Port 8	YBA-622	YBA-635	YBA-514-1	RYB-928-8	TOOL-20	NYBA-9211-102-0-8	NYBA-9221-101-0-8	NYBA-9253-101-0-8
VB-9283-0-4-9	1-1/4" Port 9	YBA-622	YBA-635	YBA-514-1	RYB-928-9	TOOL-20	NYBA-9211-102-0-8	NYBA-9221-101-0-8	NYBA-9253-101-0-9
VB-9283-0-4-10	1-1/2" Port 10		YBA-635	OYBB-227	RYB-928-10	TOOL-20	NYBA-9213-102-0-11	NYBA-9223-101-0-11	NYBA-9253-101-0-10
VB-9283-0-4-11	2" Port 11		YBA-635	OYBB-227	RYB-928-11	TOOL-20	NYBA-9213-102-0-11	NYBA-9223-101-0-11	NYBA-9253-101-0-11

† Instructions included with kit.

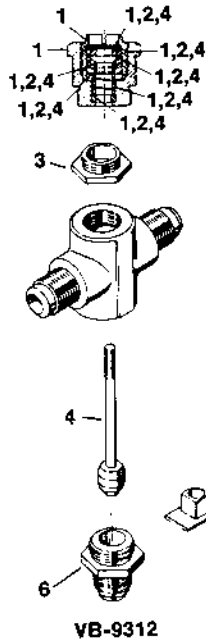
* For best results apply a light coating of silicone grease to valve stem and inside of packing cartridge.



Valve

VB-9312 Series Flared End Mixing Valves

For Use With: VA-9312; VK-9312; VS-9312



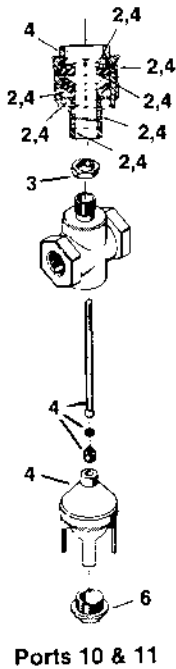
Valve Body Part No.	Size & Port	Cartridge & Packing Assembly	Packing Kit Less* Cartridge	Actuator Mounting Nut	Valve Repair Kit† Includes Packing Stem & Plug Assm.*	Packing Wrench	Bottom Seat
	Item No.	1	2	3	4	5	6
VB-9312-0-4-2	1/2" Port 2	YBA-622	YBA-635	YBA-514-1	RYB-931-2	TOOL-20	NYBA-9312-101-0-4
VB-9312-0-4-4	1/2" Port 4	YBA-622	YBA-635	YBA-514-1	RYB-931-4	TOOL-20	NYBA-9312-101-0-4

† Instructions included with kit.

* For best results apply a light coating of silicone grease to valve stem and inside of packing cartridge.

VB-9313 Series 1/2" thru 2" Screwed End Mixing Valves

For Use With: VA-9313; VC-9313; VK-9313; VM-9313; VP-9313; VS-9313; VU-9313



Valve Body Part No.	Size & Port	Cartridge & Packing Assembly	Packing Kit Less* Cartridge	Actuator Mounting Nut	Valve Repair Kit† Includes Packing Stem & Plug Assm.*	Packing Wrench	Bottom Seat
	Item No.	1	2	3	4	5	6
VS-9313-0-4-2	1/2" Port 2	YBA-622	YBA-635	YBA-514-1	RYB-931-2	TOOL-20	NYBA-9313-101-0-4
VB-9313-0-4-4	1/2" Port 4	YBA-622	YBA-635	YBA-514-1	RYB-931-4	TOOL-20	NYBA-9313-101-0-4
VB-9313-0-4-6	3/4" Port 6	YBA-622	YBA-635	YBA-514-1	RYB-931-6	TOOL-20	NYBA-9313-101-0-6
VB-9313-0-4-8	1" Port 8	YBA-622	YBA-635	YBA-514-1	RYB-931-8	TOOL-20	NYBA-9313-101-0-8
VB-9313-0-4-9	1-1/4" Port 9	YBA-622	YBA-635	YBA-514-1	RYB-931-9	TOOL-20	NYBA-9313-101-0-9
VB-9313-0-4-10	1-1/2" Port 10		YBA-635	OYBB-227	RYB-931-10	TOOL-20	NYBA-9313-101-0-10
VB-9313-0-4-11	2" Port 11		YBA-635	OYBB-227	RYB-931-11	TOOL-20	NYBA-9313-101-0-11

† Instructions included with kit.

* For best results apply a light coating of silicone grease to valve stem and inside of packing cartridge.

Ports 10 & 11

VB-9313

Ports 2-9

MAINTENANCE PARTS

Valve

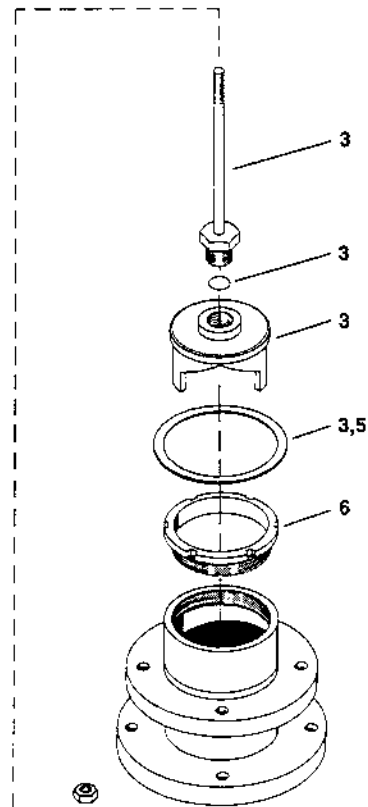
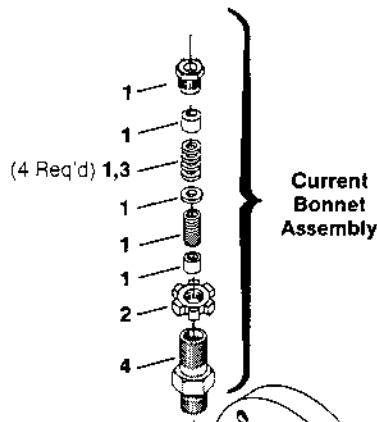
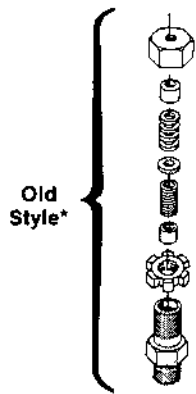
VB-9313 Series 2-1/2" thru 3" Screwed End, 2-1/2" thru 6" Flanged End Mixing Valves

For Use With: VA-9313; VC-9313; VK-9313; VM-9313; VP-9313; VS-9313, VU-9313

Valve Body Part No.	Size & Port	Packing	Bracket Nut	Valve Repair Kit Includes Packing Stem & Plug Assm. Bottom Gasket	Current Bonnet Assembly* Includes Packing & Bracket Nut	Bottom Gasket	Seat Ring**
	Item No.	1	2	3	4	5	6
VB-9313-0-4-12	2-1/2" Port 12	YBA-651-1	OYBB-225	RYB-931-12	YBA-652	BYRZ-13-12	FYB-9213-101-0-12
VB-9313-0-4-13	3" Port 13	YBA-651-1	OYBB-225	RYB-931-13	YBA-652	BYRZ-13-13	FYB-9213-101-0-13
VB-9313-0-5-12	2-1/2" Port 12	YBA-651-1	OYBB-225	RYB-931-12	YBA-652	BYRZ-13-12	FYB-9213-101-0-12
VB-9313-0-5-13	3" Port 13	YBA-651-1	OYBB-225	RYB-931-13	YBA-652	BYRZ-13-13	FYB-9213-101-0-13
VB-9313-0-5-14	4" Port 14	YBA-651-1	OYBB-225	RYB-931-14	YBA-652	BYRZ-13-14	FYB-9213-101-0-14
VB-9313-0-5-15	5" Port 15	YBA-651-1	OYBB-225	RYB-931-15	YBA-652	BYRZ-13-15	FYB-9213-101-0-15
VB-9313-0-5-16	6" Port 16	YBA-651-1	OYBB-225	RYB-931-16	YBA-652	BYRZ-13-16	FYB-9213-101-0-16

*Direct replacement for old style.

**Replacement for top or bottom seat.



*Replace with current bonnet assembly (YBA-652) if any of the old style packing components — no longer available — require replacement. The old style bonnet assembly can easily be identified by noting the large hex head packing gland nut with internal threads.

Note: VB-9313-0-4-12 and VB-9313-0-4-13 bodies are screwed end.

VB-9313

Valve

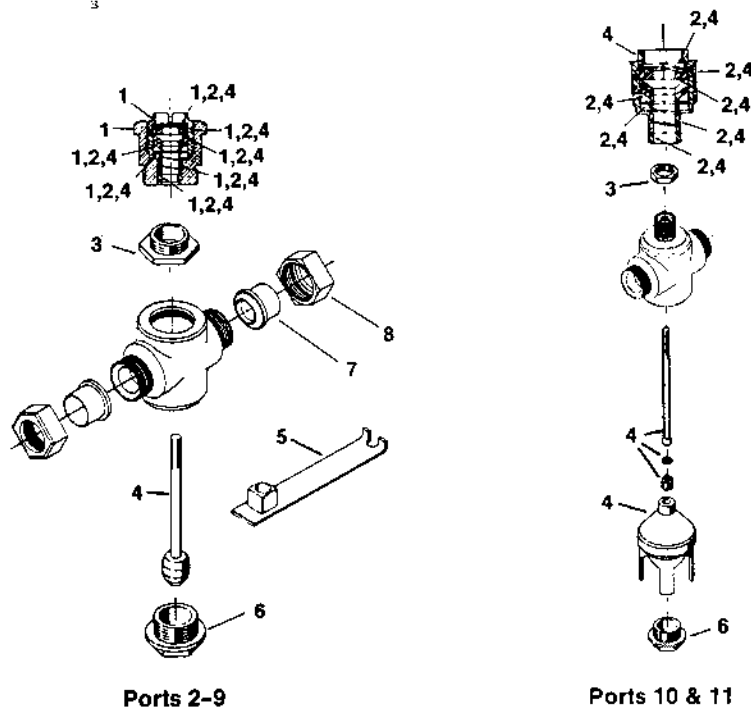
VB-9314 Series 1/2" thru 2" Union Sweat End Mixing Valves

For Use With: VA-9314; VC-9314; VK-9314; VM-9314; VP-9314; VS-9314

Valve Body Part No.	Size & Port	Cartridge & Packing Assembly	Packing Kit Less* Cartridge	Actuator Mounting Nut	Valve Repair Kiti Includes Packing Stem & Plug Assm.*	Packing Wrench	Bottom Seat	Tail Piece	Union Nut
	Item No.	1	2	3	4	5	6	7	8
VB-9314-0-4-2	1/2" Port 2	YBA-622	YBA-635	YBA-514-1	RYB-931-2	TOOL-20	NYBA-9313-101-0-4	YBA-657-4	YBA-656-4
VB-9314-0-4-4	1/2" Port 4	YBA-622	YBA-635	YBA-514-1	RYB-931-4	TOOL-20	NYBA-9313-101-0-4	YBA-657-4	YBA-656-4
VB-9314-0-4-6	3/4" Port 6	YBA-622	YBA-635	YBA-514-1	RYB-931-6	TOOL-20	NYBA-9313-101-0-6	YBA-657-6	YBA-656-6
VB-9314-0-4-8	1" Port 8	YBA-622	YBA-635	YBA-514-1	RYB-931-8	TOOL-20	NYBA-9313-101-0-8	YBA-657-8	YBA-656-8
VB-9314-0-4-9	1-1/4" Port 9	YBA-622	YBA-635	YBA-514-1	RYB-931-9	TOOL-20	NYBA-9313-101-0-9	YBA-657-9	YBA-656-9
VB-9314-0-4-10	1-1/2" Port 10		YBA-635	OYBB-227	RYB-931-10	TOOL-20	NYBA-9313-101-0-10	YBA-657-10	YBA-656-10
VB-9314-0-4-11	2" Port 11		YBA-635	OYBB-227	RYB-931-11	TOOL-20	NYBA-9313-101-0-11	YBA-657-11	YBA-656-11

†Instructions included with kit.

* For best results apply a light coating of silicone grease to valve stem and inside of packing cartridge.



VB-9314

MAINTENANCE PARTS

Valve

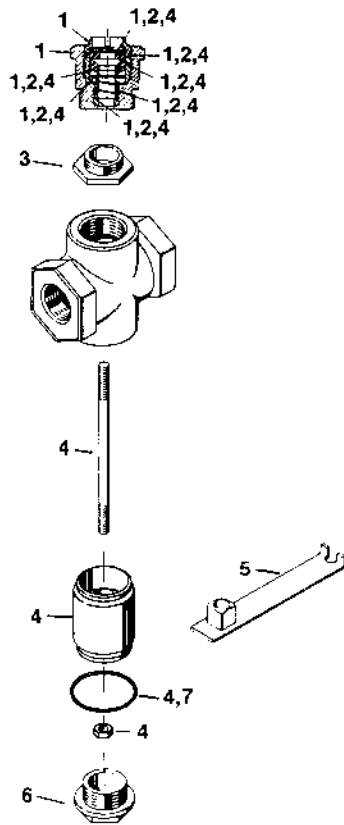
VB-9323 Series Screwed End Diverting Valves

For Use With: VA-9323; VC-9323; VK-9323, VK4-9323; VM-9323; VP-9323; VS-9323

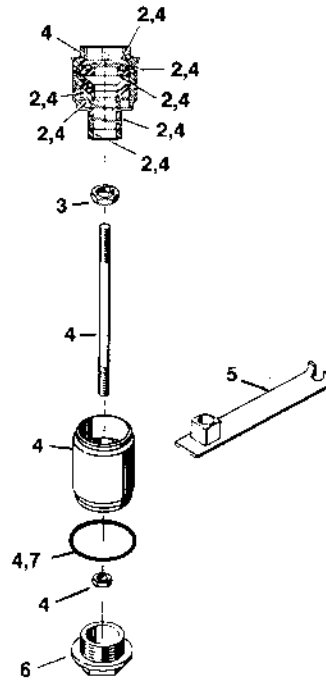
Valve Body Part No.	Size & Port	Cartridge & Packing Assembly	Packing Kit Less* Cartridge	Actuator Mounting Nut	Valve Repair Kit† Includes Packing Stem & Plug Assm.*	Packing Wrench	Bottom Seat	"O" Ring
	Item No.	1	2	3	4	5	6	7
VB-9323-0-4-4	1/2" Port 4	YBA-622	YBA-635	YBA-514-1	RYB-932-4	TOOL-20	NYBA-9313-101-0-4	NYBA-9322-104-0-4
VS-9323-0-4-6	3/4" Port 6	YBA-622	YBA-635	YBA-514-1	RYB-932-6	TOOL-20	NYBA-9323-101-0-6	NYBA-9323-104-0-7
VS-9323-0-4-8	1" Port 8	YBA-622	YBA-635	YBA-514-1	RYB-932-8	TOOL-20	NYBA-9323-101-0-8	NYBA-9323-104-0-8
V3-9323-0-4-9	1-1/4" Port 9	YBA-622	YBA-635	YBA-514-1	RYB-932-9	TOOL-20	NYBA-9323-101-0-9	NYBA-9323-104-0-8
VB-9323-0-4-10	1-1/2" Port 10		YBA-635	OYBB-227	RYB-932-10	TOOL-20	NYBA-9323-101-0-10	NYBA-9323-104-0-10
VB-9323-0-4-11	2" Port 11		YBA-635	OYBB-227	RYB-932-11	TOOL-20	NYBA-9323-101-0-11	NYBA-9323-104-0-10

† Instructions included with kit.

* For best results apply a light coating of silicone grease to valve stem and inside of packing cartridge.



Ports 4-9



Ports 10 & 11

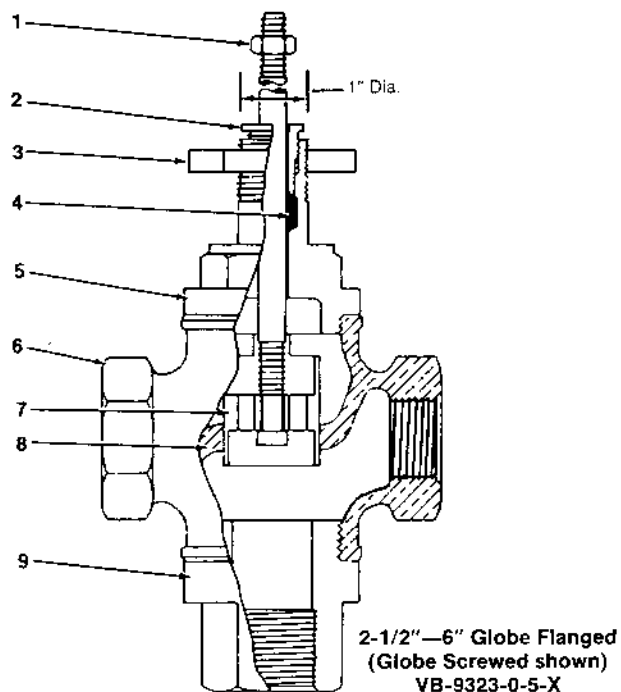
VB-9323

MAINTENANCE PARTS

Valve

VB-9323-0-5-X Series Diverting Valves, 2-1/2" thru 6" Globe Flanged

For Use With: VA-9323; VC-9323; VK-9323;
VK4-9323; VM-9323; VP-9323; VS-9323



Item No.	Description	Material
1	Jam Nut	Steel Cad. Plate
2	Packing Nut	Brass
3	Lock Nut	Cast Iron
4	Packing	Teflon Asbestos
5	Bonnet	Cast Bronze
6	Valve Body	Cast Bronze
7	Stem & Piston Assy.	St. Stl. & Brass
8	Gland Seal	Eth. Prop.
9	Bottom Port	Cast Bronze

For replacement parts, contact Warren Controls, with valve body part number, valve body size and description of items required.

Warren Controls Corp.
Route 57
Broadway, New Jersey 08808
Telephone: 201-689-1400

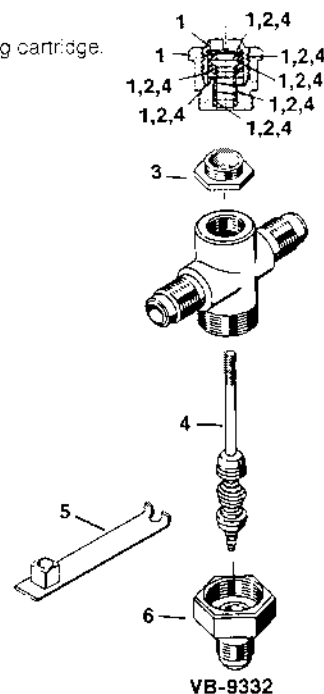
VB-9332 Series Flared End Sequencing Valves

For Use With: VK-9332; VS-9332

Valve Body Part No.	Size & Port	Cartridge & Packing Assembly	Packing Kit Less* Cartridge	Actuator Mounting Nut	Valve Repair Kit† Includes Packing Stem & Plug Assm.*	Packing Wrench	Bottom Seat
	Item No.	1	2	3	4	5	6
VB-9332-0-4-2	1/2" Port 2	YBA-622	YBA-635	YBA-514-1	RYB-933-2	TOOL-20	NYBA-9332-101-0-4
VB-9332-0-4-3	1/2" Port 3	YBA-622	YBA-635	YBA-514-1	RYB-933-3	TOOL-20	NYBA-9332-101-0-4
VB-9332-0-4-4	1/2" Port 4	YBA-622	YBA-635	YBA-514-1	RYB-933-4	TOOL-20	NYBA-9332-101-0-4

† Instructions included with kit.

* For best results apply a light coating of silicone grease to valve stem and inside of packing cartridge.



Copyright 2008, TAC
All brand names, trademarks and registered
trademarks are the property of their respective
owners. Information contained within this
document is subject to change without notice.

F-26033-2

TAC
1354 Clifford Avenue
P.O. Box 2940
Loves Park, IL 61132-2940
www.tac.com

t.a.c. ®
by Schneider Electric