



Main

Range of product	Modicon M340 automation platform
Product or component type	Power supply module
Backplane compatibility	Not compatible with BMEXBP..02
Primary voltage	24...48 V isolated
Supply circuit type	DC
Total useful secondary power	<= 31.2 W
Secondary power	31.2 W 24 V DC I/O module power supply and processor 15 W 3.3 V DC I/O module logic power supply

Complementary

Primary voltage limit	18...62.4 V
Power supply input current	1.65 A 24 V 0.83 A 48 V
Inrush current	60 A 48 V 30 A 24 V
I ² t on activation	<= 3 A ² .s 48 V <= 1 A ² .s 24 V
It on activation	<= 0.3 A.s 48 V <= 0.2 A.s 24 V
Protection type	Short-circuit protection secondary circuit, 24 V sensor power supply Overvoltage protection secondary circuit, 24 V sensor power supply Overload protection secondary circuit, 24 V sensor power supply Internal fuse not accessible primary circuit
Current at secondary voltage	4.5 A 3.3 V DC I/O module logic power supply 1.3 A 24 V DC I/O module power supply and processor
Power dissipation in W	<= 8.5 W
Status LED	1 LED green rack voltage OK
Control type	RESET push-button cold restart
Electrical connection	1 connector 5 pin(s) line supply, protective earth 1 connector 2 pin(s) alarm relay
Cable length	15 m power supply cable copper 2.5 mm ² 10 m power supply cable copper 1.5 mm ²
Insulation resistance	>= 10 mOhm primary/secondary >= 10 mOhm primary/ground
Product weight	0.34 kg

Environment

Immunity to microbreaks	<= 1 ms
Dielectric strength	1500 V primary/secondary 1500 V primary/ground
IP degree of protection	IP20
Standards	IACS E10
Ambient air temperature for storage	-40...85 °C
Ambient air temperature for operation	0...60 °C
Relative humidity	10...95 % without condensation
Protective treatment	TC

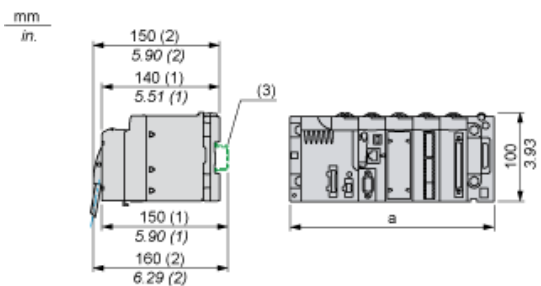
The information provided in this documentation contains general descriptions and/or technical characteristics of the performance of the products contained herein. This documentation is not intended as a substitute for and is not to be used for determining suitability or reliability of these products for specific user applications. It is the duty of any such user or integrator to perform the appropriate and complete risk analysis, evaluation and testing of the products with respect to the relevant specific application or use thereof. Neither Schneider Electric Industries SAS nor any of its affiliates or subsidiaries shall be responsible or liable for misuse of the information contained herein.

Offer Sustainability

Sustainable offer status	Not Green Premium product
RoHS (date code: YYWW)	Compliant - since 0722 - Schneider Electric declaration of conformity
REACH	Reference contains SVHC above the threshold - go to CaP for more details
Product environmental profile	Available Download Product Environmental

Modules Mounted on Racks

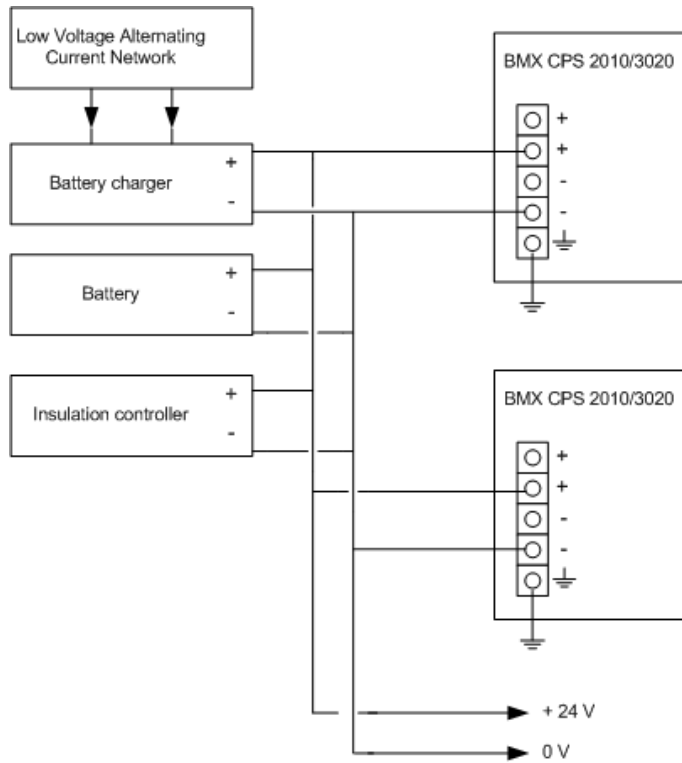
Dimensions



- (1) With removable terminal block (cage, screw or spring).
- (2) With FCN connector.
- (3) On AM1 ED rail: 35 mm wide, 15 mm deep. Only possible with BMXXBP0400/0400H/0600/0600H/0800/0800H rack.

Rack references	a in mm	a in in.
BMXXBP0400 and BMXXBP0400H	242.4	09.54
BMXXBP0600 and BMXXBP0600H	307.6	12.11
BMXXBP0800 and BMXXBP0800H	372.8	14.68
BMXXBP1200 and BMXXBP1200H	503.2	19.81

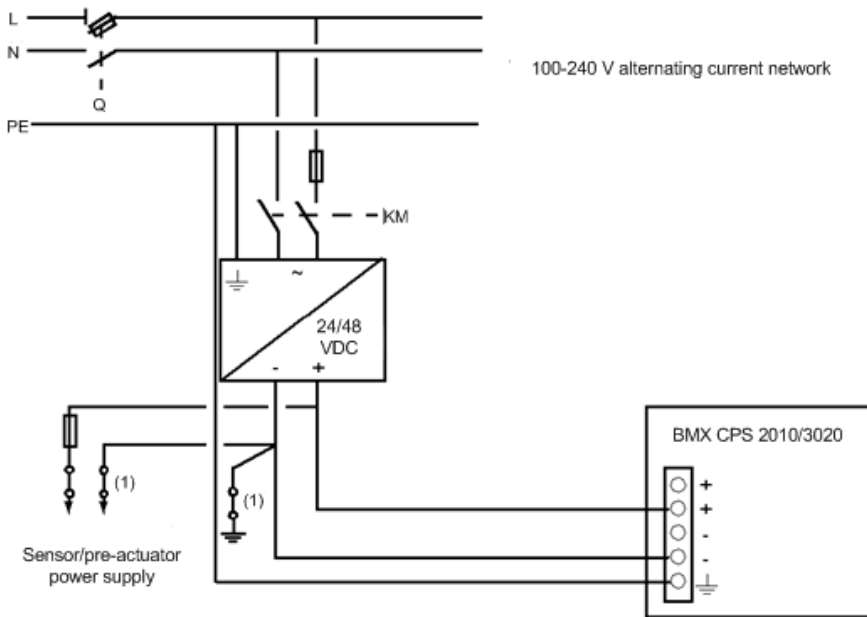
Connection of Direct Current Power Supply Modules to a 24 Vdc or 48 Vdc Floating Direct Current Network



24 VDC floating network for the power supply of sensors, actuators and input/out modules.

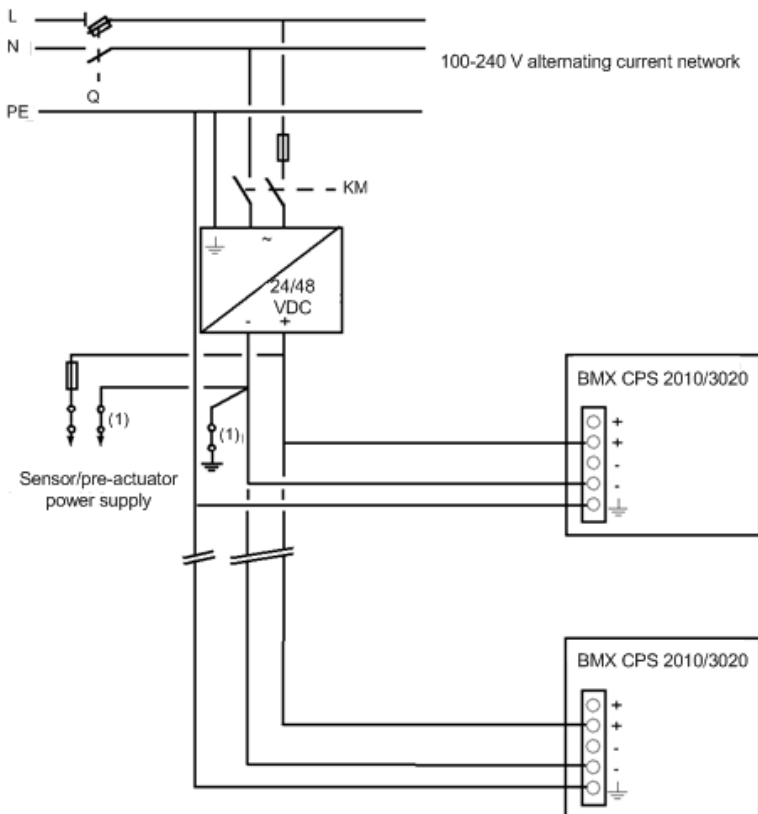
Connection of Direct Current Power Supply Modules to an Alternating Current Network

Connection of a Single Rack PLC Station



- Q General isolator
- KM Line contactor or circuit breaker
- (1) Insulation connector bar for locating grounding errors

Connection of a Multi-Rack PLC Station



- Q General isolator
- KM Line contactor or circuit breaker
- (1) Insulation connector bar for locating grounding errors