

LEVEL & LEAK DETECTION



ULTRASONIC LEVEL TRANSMITTER LU2 SERIES ECHOSONIC



DESCRIPTION

The Flowline EchoSonic LU2 Series ultrasonic level transmitter provides non-contact liquid level measurement with a reversible 4-20 mA output. Models are available in three measurement ranges from 9.8 ft to 32.8 ft (3m to 10m), and an accuracy of $\pm 0.2\%$. The LU2 Series is ideal for ultra pure, corrosive, waste, and slurry applications. Transmitters can be quickly configured using WebCal software. The software offers pre-programmed menus, tank set point graphics, and custom wiring diagrams. User can define loop failsafe, start-up condition, output at empty, and specific tank levels.



LU28-XX-B

FEATURES

- 9.8', 26.2', 32.8' (3.0, 8.0, or 10m) ranges available
- Simple configuration
- Polycarbonate enclosure designed to be corrosion resistant and submersible
- Minimal deadband to top of water optimizes filling capacity
- Adjustable loop failsafe (hi, low, last value)
- 2" (5.1 cm) beam diameter for applications with restricted space
- Calibration protected w/FOB key

APPLICATIONS

- Cooling tower sumps
- Tanks
- Wells
- Ice storage
- Waste sumps
- Process vessels

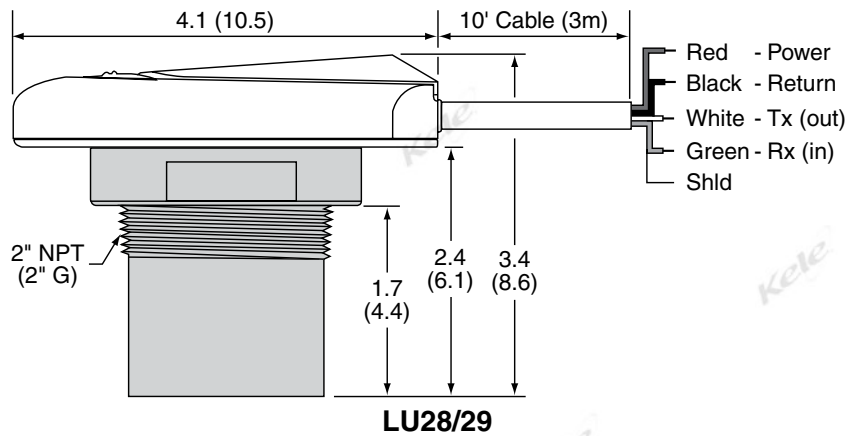
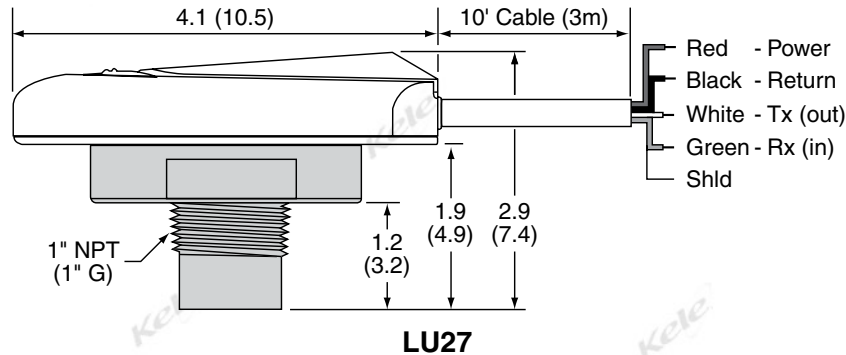
| SPECIFICATIONS | |
|------------------------------|--|
| Supply Voltage | 24 VDC @ 20.8 mA |
| Accuracy | $\pm 0.2\%$ of span in air |
| Signal Output | 4-20 mA @ 500 Ω two-wire |
| Measurement Range | |
| LU23 | 8" to 18.0' (20 cm to 5.5 m) |
| LU27 | 4" to 9.8' (10 cm to 3.0 m) |
| LU28 | 8" to 26.2' (20 cm to 8.0 m) |
| LU29 | 8" to 32.8' (20cm to 10 m) |
| Memory | Non-volatile |
| Deadband | |
| LU23 | 8" (20 cm) from sensor |
| LU27 | 4" (10 cm) from sensor |
| LU28/29 | 8" (20 cm) from sensor |
| Operating Pressure | 30 psig (206.9 kPa) |
| Process Temperature | -4° to 140°F (-20° to 60°C) |
| Beam Width | |
| LU23 | 3" (7.6 cm) |
| LU27 | 2" (5.1 cm) |
| LU28/29 | 3" (7.6 cm) |
| Fail Safe | Selectable: 4 mA, 20 mA, 21 mA, 22 mA, or hold last signal |
| Resolution | |
| LU27 | 0.019" (0.5 mm) |
| LU28/29 | 0.079" (2.0 mm) |
| Process Connection | |
| LU23 | 2" NPT |
| LU27 | 1" NPT |
| LU28/29 | 2" NPT |
| Cable Length | 10' (3m) length |
| Operating Temperature | -31° to 140°F (-35° to 60°C) |
| Enclosure Rating | NEMA 6P (UL 50 Type 6P) Polycarbonate |
| Dimensions | 2.9"H x 4.1"W x 4.1"D (7.4 x 10.5 x 10.5 cm) |
| Weight | |
| w/o bracket | 1.5 lb (0.7 Kg) |
| w/ bracket | 2.1 lb (0.95 Kg) |
| Approvals | CE, FM, RoHS |
| Warranty | 1 year |



LEVEL & LEAK DETECTION

ULTRASONIC LEVEL TRANSMITTER LU2 SERIES ECHOSONIC

DIMENSIONS



ORDERING INFORMATION

| MODEL | DESCRIPTION |
|-------------|--|
| LU27-01 | Ultrasonic level transmitter with fob, 9.0 ft (3.0m) |
| LU27-01-B | Ultrasonic level transmitter with fob, 9.0 ft (3.0m) with bracket |
| LU27-01-B-C | Ultrasonic level transmitter with fob, 9.0 ft (3.0m) with bracket, custom calibration |
| LU27-01-C | Ultrasonic level transmitter with fob, 9.0 ft (3.0m) custom calibration |
| LU28-01 | Ultrasonic level transmitter with fob, 26.2 ft (8.0m) |
| LU28-01-B | Ultrasonic level transmitter with fob, 26.2 ft (8.0m) with bracket |
| LU28-01-B-C | Ultrasonic level transmitter with fob, 26.2 ft (8.0m) with bracket, custom calibration |
| LU28-01-C | Ultrasonic level transmitter with fob, 26.2 ft (8.0m) custom calibration |
| LU29-01 | Ultrasonic level transmitter with fob, 32.8 ft (10m) |
| LU29-01-B | Ultrasonic level transmitter with fob, 32.8 ft (10m) with bracket |
| LU29-01-B-C | Ultrasonic level transmitter with fob, 32.8 ft (10m) with bracket, custom calibration |
| LU29-01-C | Ultrasonic level transmitter with fob, 32.8 ft (10m) custom calibration |

RELATED PRODUCTS

| | |
|-------------|--|
| LI99-1001 | Fob calibration key |
| LM50-1001 | 2" Mounting bracket (included with "B" option) |
| LM50-1001-1 | 1" Mounting bracket (included with "B" option) |
| LM52-1400 | 2" NPT x 1" NPT (Sch. 40) fitting |
| LM52-2400 | 3" NPT x 2" NPT (Sch. 40) fitting |
| LM52-2800 | 3" NPT x 2" NPT (Sch. 80) fitting |
| LM52-3800 | 4" NPT x 2" NPT (Sch. 80) fitting |